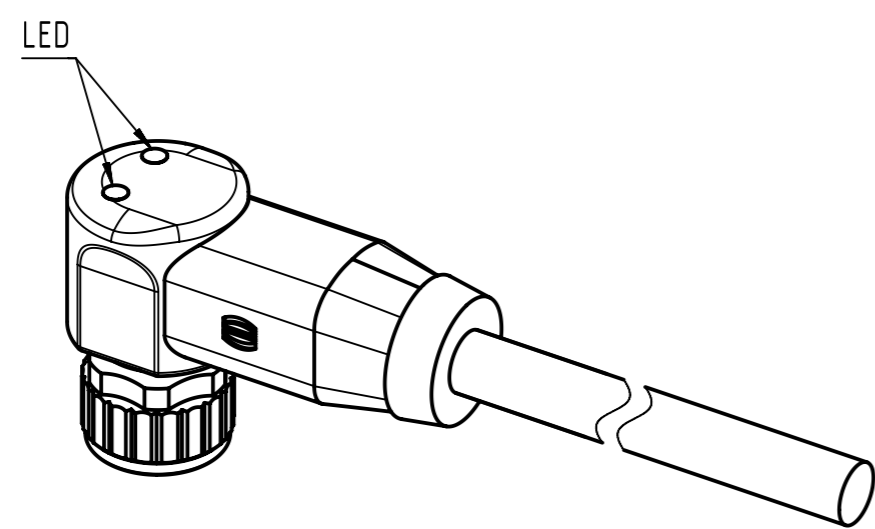
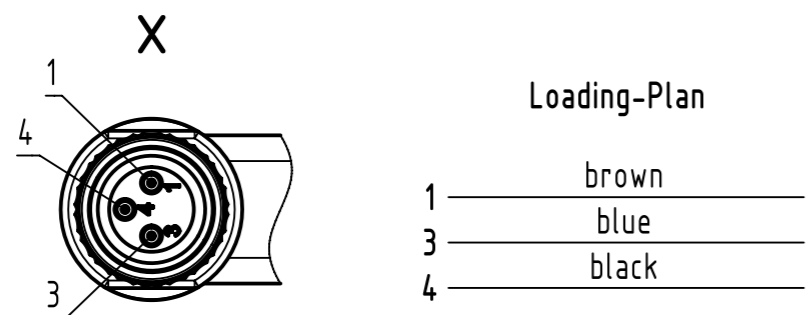
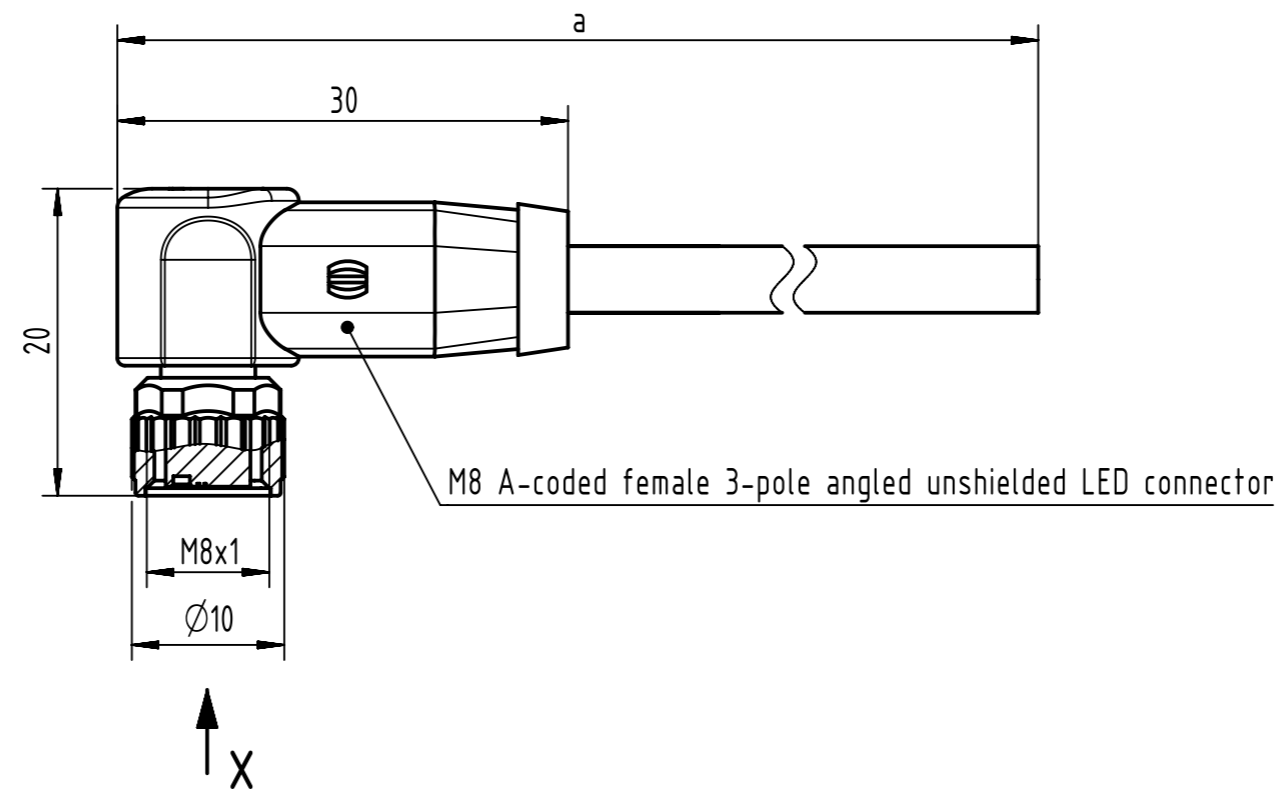


Connector Location A

Connector Location B



length in "1m" step	100	XXX=000
	99	XXX=990
	.	.
	12	XXX=120
	11	XXX=110
length in "0.1m" step	10	XXX=100
	9.9	XXX=099
	9.8	XXX=098
	.	.
	0.4	XXX=004
	0.3	XXX=003
	0.2	XXX=002
	0.1	XXX=001
Step	a[m]	XXX

4.0 to 100	±1%
0.1 to 3.9	+0.04
a [m]	Tolerance

3x0.25mm ² , black	2134A000390XXX
Type of cable	Part no.

	All rights reserved	Created by POPESCU	Inspected by TAMAS	Standardisation MUNTEANV	Date 2016-08-25	State Final Release	
	Department HCS - RO	Title M8 A-coded Cable Assembly				Doc-Key / ECM-Nr. 100686167/UGD/000/A 500000108095	
HARTING Customised Solutions D-32427 Minden		Type TB	Number 2134A000390XXX			Rev. A	Page 1/1