

5

4

3

2

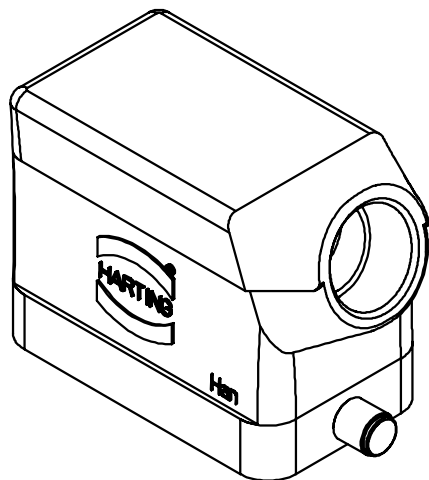
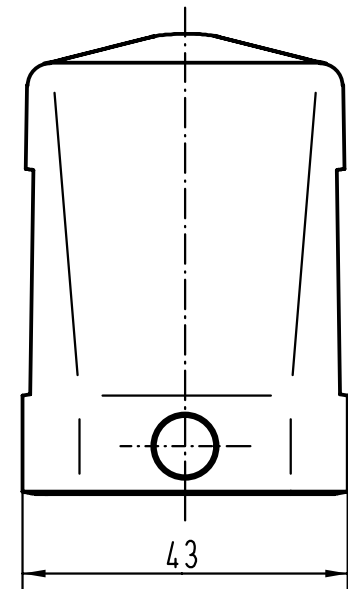
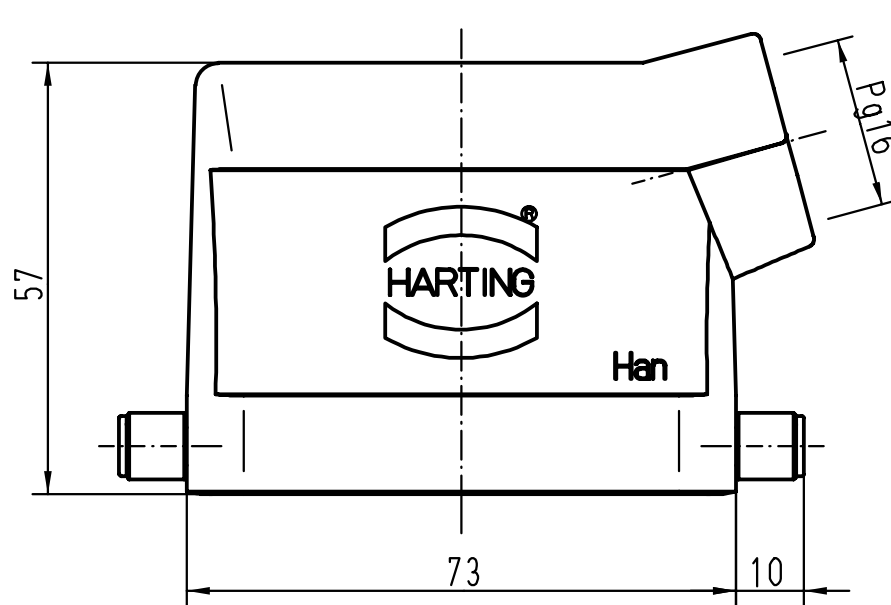
1



D

C

B

A



| | | | | | | | | |
|---|----------|------|---|----------|------|--|--|--|
|  All Dimensions in mm Original Size DIN A 4 | | | Techn. Character. | | | Nicht tolerierte Masse/ Free size tolerances | | |
| | | | | Dat. | Name | Massstab/Scale 1:1 | | |
| | | | Detail. | 16.08.99 | Gü | | | |
| | | | Insp. | | Sdt | | | |
| | | | Stand. | | | | | |
| 28194 | 15.09.00 | Gü | HARTING KGaA | | | TB 09 30 010 1541 | | |
| 26734 | | | D-32339 ESPELKAMP | | | | | |
| Mod. | Dat. | Name |  | | | Sub. TB 09 30 0.. 154. v. 28.01.93 | | |
| | | | | | | Blatt/ page | | |