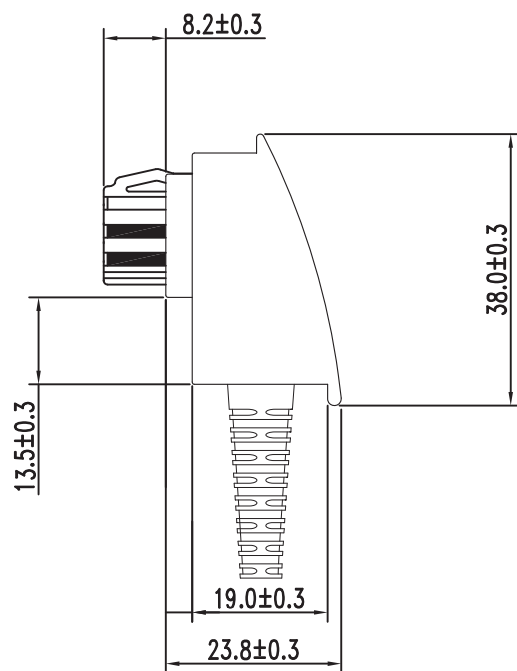
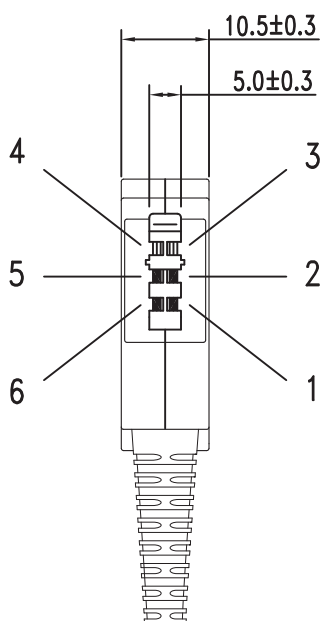


TAE Connector, TAE-N Plug



Specification

Coded: N
 Insulation material: ABS 94HB
 Contact material: Brass
 Color: Black and Grey
 Wire range: AWG24-28
 Operating temperature: 0°C-70°C
 Storage temperature: -20°C-85°C



Pin	Name	Description
1	a	Exchange line a
2	b	Exchange line b
3	W	Line for external bell
4	E	Line for ground connection
5	b2	Line b, looped through the telecommunication device
6	a2	Line a, looped through the telecommunication device