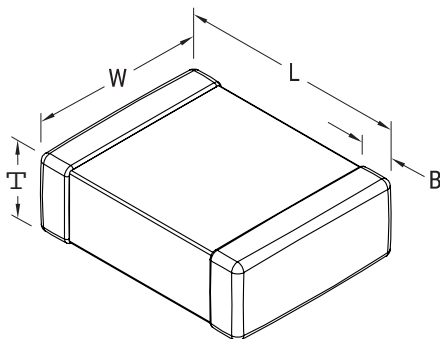


KEMET Part Number: LDEIC2330KA0N00
(DEIC2330KA0N00)

LDE, Film, Metallized PEN Stacked, Automotive Grade, 0.033 uF, 10%, 120 VAC, 250 VDC, 125°C, 1812, 2.6mm



General Information

Supplier:	KEMET
Series:	LDE
Dielectric:	Metallized PEN Stacked
Style:	SMD Chip
Features:	Automotive Grade
RoHS:	Yes
Qualifications:	AEC-Q200
AEC-Q200:	Yes
Shelf Life:	104 Weeks
MSL:	2

Dimensions

Chip Size	1812
L	4.7mm +0.3/-0.2mm
W	3.3mm +/-0.3mm
T	2.6mm MAX
B	0.5mm +0.5/-0.3mm

Specifications

Capacitance:	0.033 uF
Capacitance Tolerance:	10%
Voltage AC:	120 VAC
Voltage DC:	250 VDC
Temperature Range:	-55/+125C
Rated Temperature:	125°C
Dissipation Factor:	0.80% 1kHz
Insulation Resistance:	1 GOhms
Max dV/dt:	100 V/us

Packaging Specifications

Packaging:	T&R
Packaging Quantity:	3000