

# RH-KG | Double-curved handles

Aluminium



- 1
- 2
- 3
- 4
- 5
- 6
- 7
- 8
- 9
- 10
- 11
- 12
- 13
- 14
- 15
- 16
- 17
- 18

## MATERIAL

Black anodised aluminium round cross section bar, ground and sandblasted surface, satin finish.

## STANDARD EXECUTION

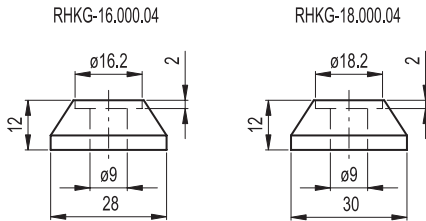
Threaded blind holes.

## APPLICATIONS

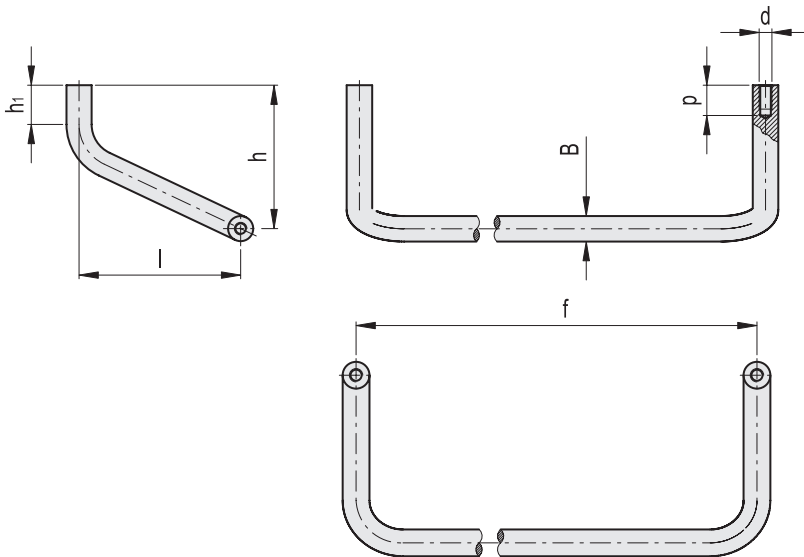
RH-KG series handles are particularly indicated for moving control panels of all sizes to their positions of use.

## ACCESSORIES ON REQUEST

Black anodised aluminium end supports, semi-matte finish.



Code	Diameter B	⚖️
RHKG-16.000.04	16	26
RHKG-18.000.04	18	28



Code	f	d	p	B	h	h1	l	⚖️
RHKG-16.250.14	250	M8	15	16	90	25	100	285
RHKG-16.300.14	300	M8	15	16	90	25	100	310
RHKG-16.350.14	350	M8	15	16	90	25	100	340
RHKG-16.400.14	400	M8	15	16	90	25	100	363
RHKG-18.500.14	500	M8	15	18	90	25	100	526
RHKG-18.600.14	600	M8	15	18	90	25	100	590

Lift & Pull handles