

# 200 x 110 x 40 cm\*

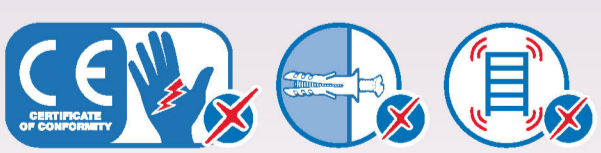
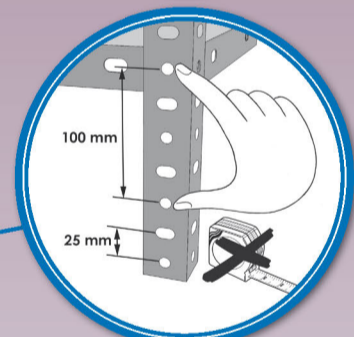
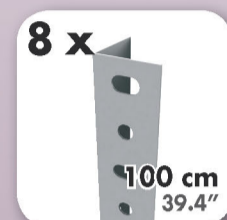
## 78.7" x 43.3" x 15.8"

### COMFORT SUPERPLUS 5/400

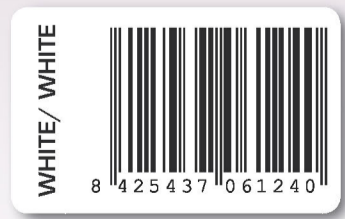
**5** years  
SIMONRACK  
GUARANTEE



**450 kg**  
**(1000 lb)**  
**Total**



\*MEDIDAS EN USO: 2003 x 1114 x 414 mm  
USED MEASUREMENTS: 78.86" x 43.86" x 16.30"



ESTANTERIAS SIMON S.L. B.50.556.463  
PG. ALFAMEN C/ POLIGONO C, N°3  
ALFAMEN (ZARAGOZA)

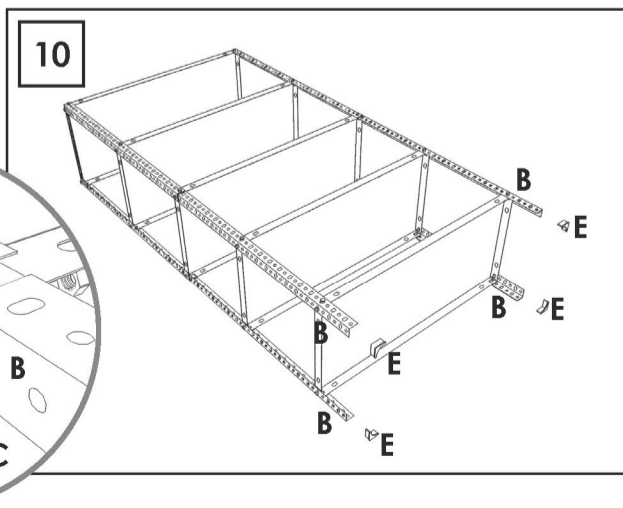
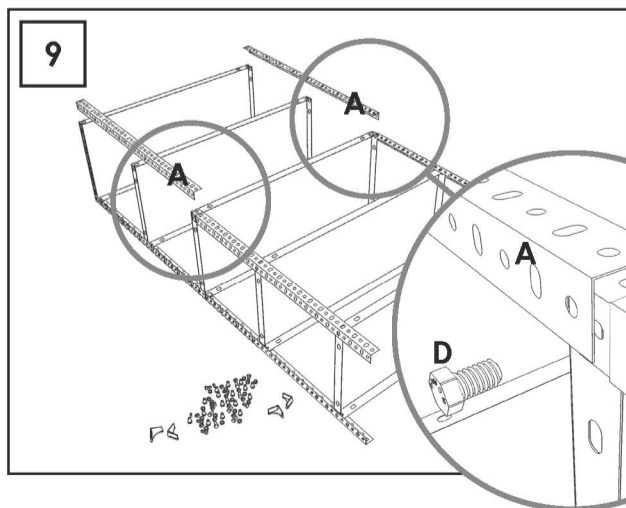
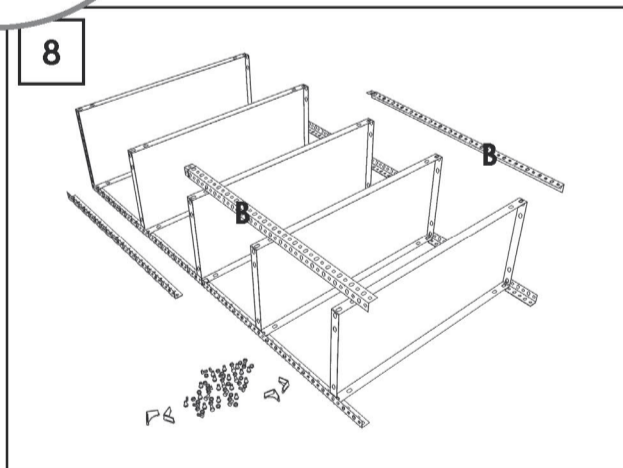
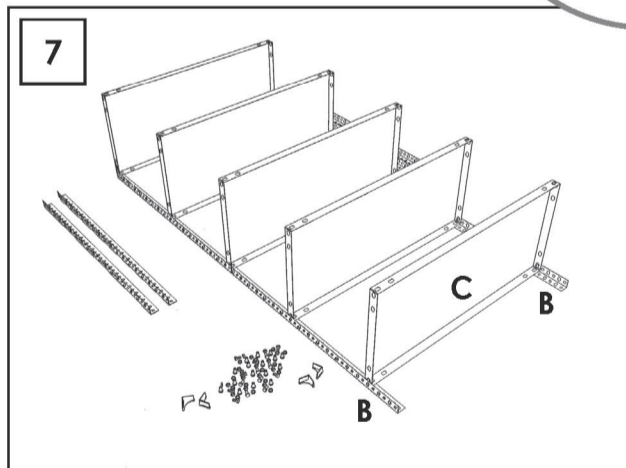
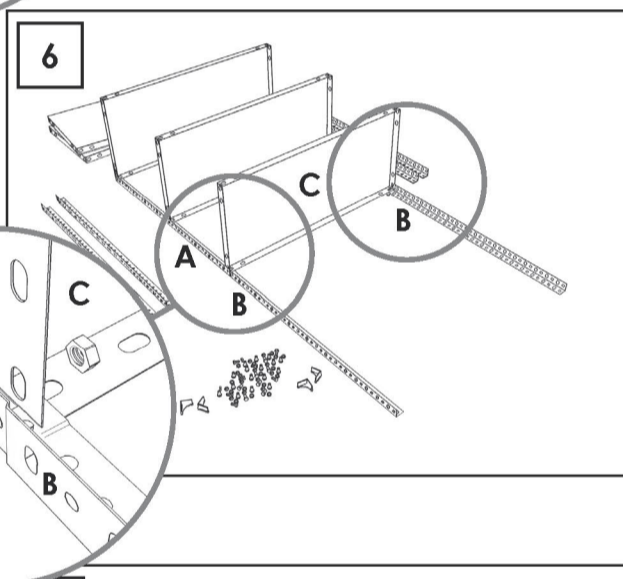
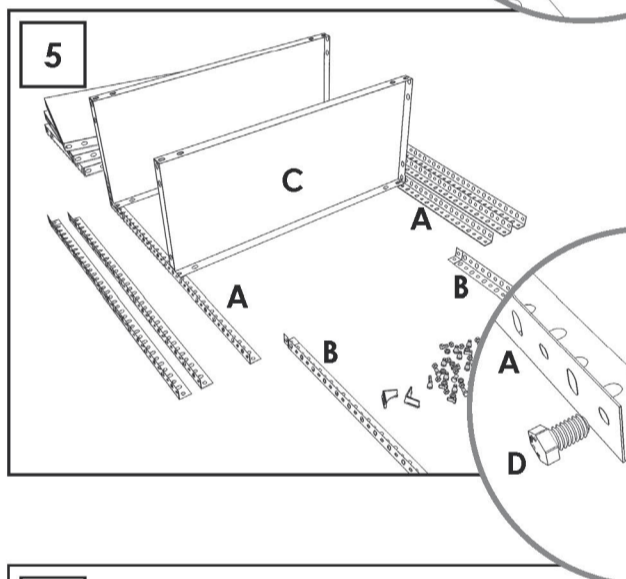
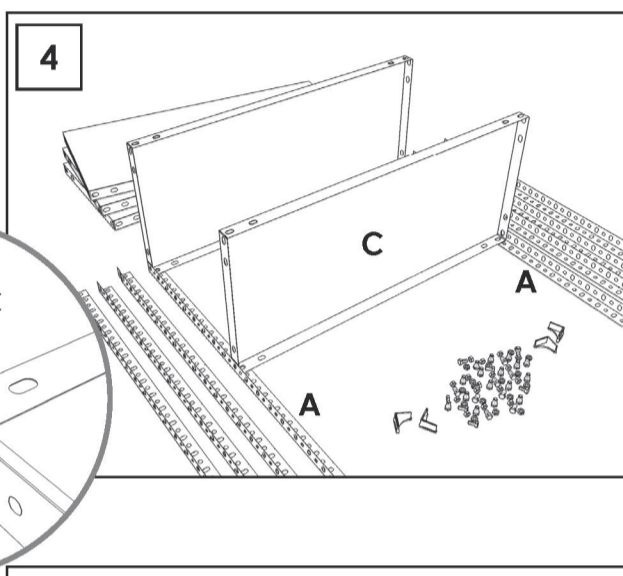
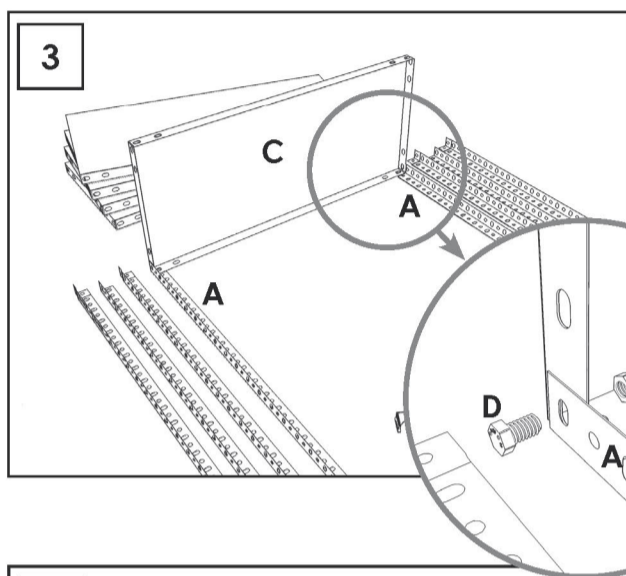
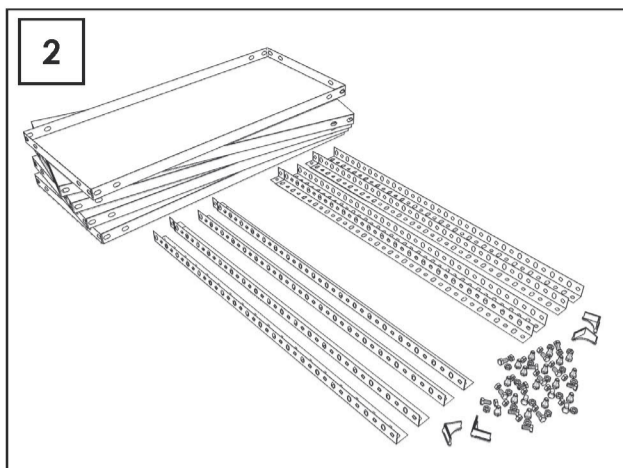
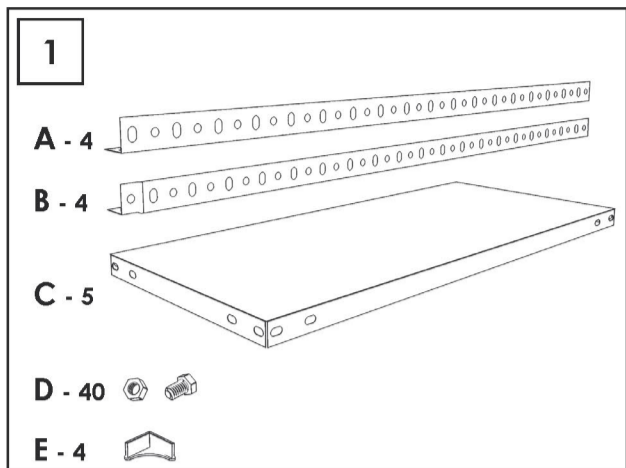


[www.simonrack.com](http://www.simonrack.com)



**INSTRUCTIONS**





On-line instructions: [www.instructionsrack.com/simonclassic](http://www.instructionsrack.com/simonclassic)

### SIMONCLASSIC



### SIMONCLICK



### SIMONOFFICE



### SIMONTALLER



### BANCOS DE TRABAJO WORK BENCHES



### SIMONHOME



### TAQUILLAS LOCKER



### SIMONTITÁN



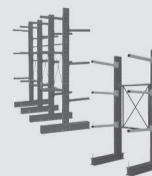
### SIMONINOX



### SIMONPALET



### SIMONLEVER



### ALTILLOS Y PASILLOS ELEVADOS PLATFORMS AND MEZZANINES

