

5mm White LED

Order code: **55-1758** pack of 100
MPN: OSPW5162A X100

Order code: **55-1760** pack of 1000
MPN: OSPW5162A X1K

Features:

- White Diffused Type
- 5mm Standard directivity
- Superior weather-resistance
- UV Resistant epoxy

Applications

- Toys
- Games
- Audio
- Christmas Lights

Absolute maximum rating (Ta=25°C)

Item	Symbol	Value	Unit
DC forward current	I_F	30	mA
Pulse forward current*	I_{FP}	100	mA
Reverse voltage	V_R	5	V
Power dissipation	P_D	120	mW
Operating temperature	T_{opr}	-30 to +85	°C
Storage temperature	T_{stg}	-40 to +100	°C
Lead soldering temperature	T_{sol}	260°C/5 sec	-

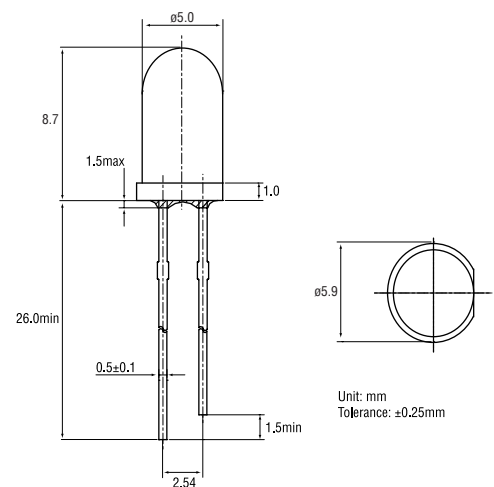
*Pulse width max. 10ms. Duty ratio max. 1/10

Electrical - Optical characteristics (Ta=25°C)

Item	Symbol	Condition	Min.	Typ.	Max.	Unit
DC Forward voltage	V_F	$I_F = 20\text{mA}$	2.8	3.3	3.8	V
DC Reverse current	I_R	$V_R = 5\text{V}$	-	-	10	μA
Luminous intensity	I_v	$I_F = 20\text{mA}$	68	100	-	mcd
Chromaticity coordinate	x	$I_F = 20\text{mA}$	0.26	0.31	0.36	-
	y	$I_F = 20\text{mA}$	0.24	0.30	0.34	-
50% Power angle	$2\theta_{1/2}$	$I_F = 20\text{mA}$	-	60	-	deg



Outline dimensions:



Directivity:

