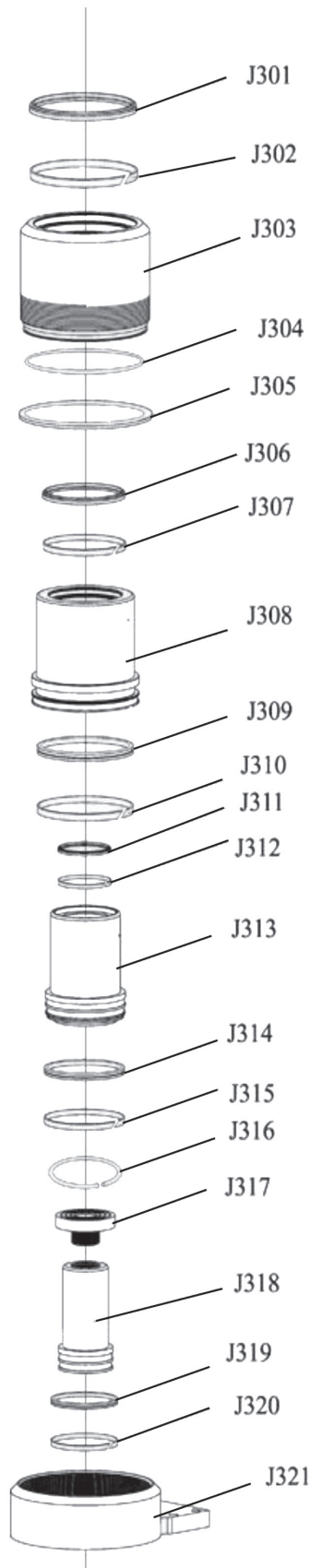




Parts Information:
**Air Operated Jack 40tonne Telescopic -
 Long Reach/Low Entry
 Model No: YAJ10-40LELR.V2**



Item	Part No.	Description
J301	YAJ1040LELR.01	DUSTPROOF RING
J302	YAJ1040LELR.02	GUIDE RING
J303	YAJ1040LELR203	OUTER SLEEVE
J304	YAJ1040LELR.04	O-RING
J305	YAJ1040LELR.05	LOCKING RING
J306	YAJ1040LELR206	DUSTPROOF RING
J307	YAJ1040LELR207	GUIDE RING
J308	YAJ1040LELR208	INNER SLEEVE
J309	YAJ1040LELR.09	XTP SEAL
J310	YAJ1040LELR.10	GUIDE RING
J311	YAJ1040LELR211	DUSTPROOF RING
J312	YAJ1040LELR212	GUIDE RING
J313	YAJ1040LELR213	INNER SLEEVE
J314	YAJ1040LELR214	XTP SEAL
J315	YAJ1040LELR215	GUIDE RING
J316	YAJ1040LELR216	SPRING WASHER
J317	YAJ1040LELR.17	TOP COVER
J318	YAJ1040LELR218	PISTON
J319	YAJ1040LELR219	XTP SEAL
J320	YAJ1040LELR220	GUIDE RING
J321	YAJ1040LELR.21	BASEMENT

NOTE: It is our policy to continually improve products and as such we reserve the right to alter data, specifications and component parts without prior notice.

IMPORTANT: No liability is accepted for incorrect use of product.

WARRANTY: Guarantee is 12 months from purchase date, proof of which will be required for any claim.

Sealey Group, Kempson Way, Suffolk Business Park, Bury St Edmunds, Suffolk. IP32 7AR



01284 757500



01284 703534



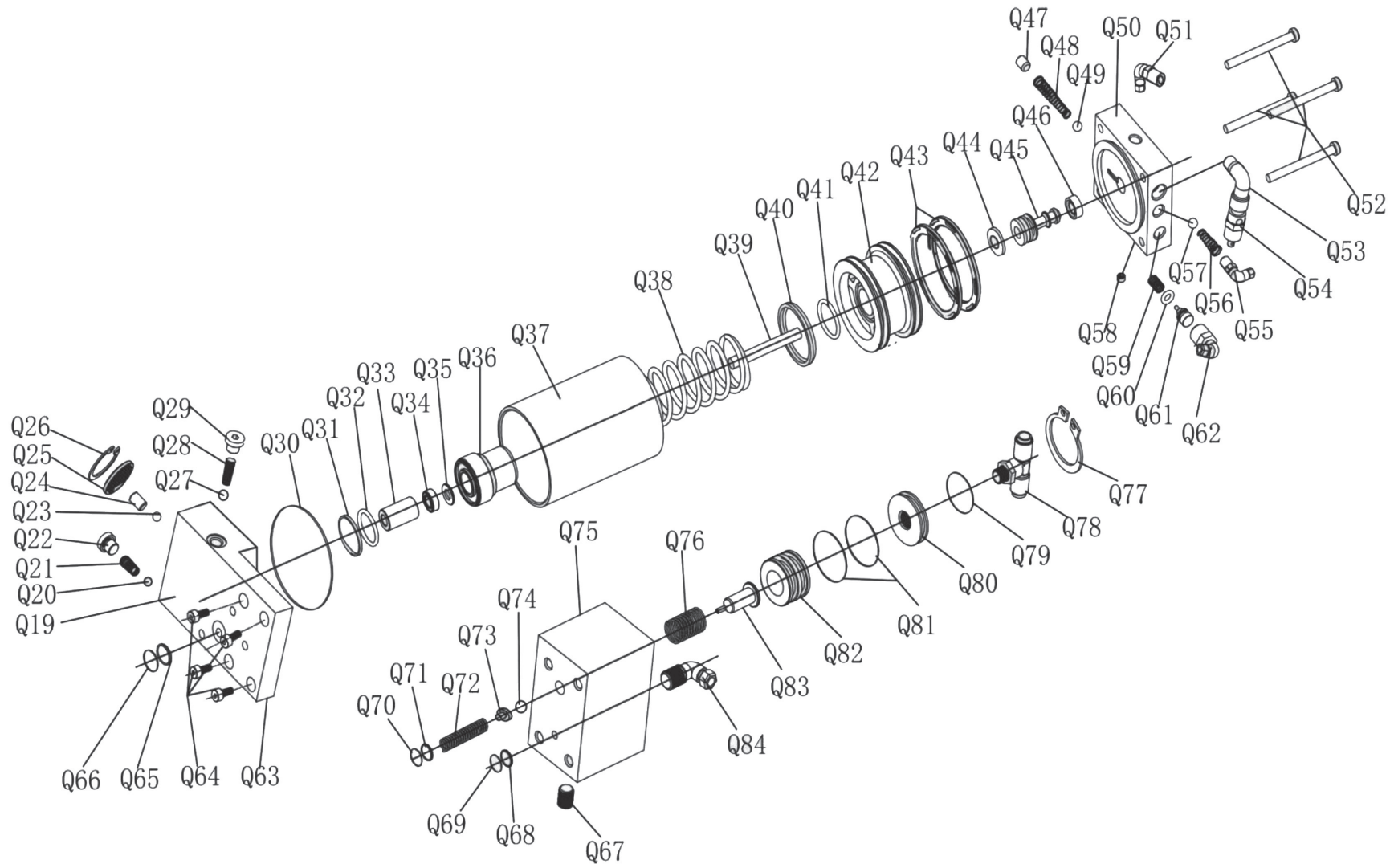
sales@sealey.co.uk



www.sealey.co.uk



Parts Information:
Air Operated Jack 40tonne Telescopic - Long Reach/Low Entry
Model No: YAJ10-40LELR.V2



Sealey Group, Kempson Way, Suffolk Business Park, Bury St Edmunds, Suffolk. IP32 7AR



01284 757500



01284 703534



sales@sealey.co.uk



www.sealey.co.uk



Parts Information:
**Air Operated Jack 40tonne Telescopic -
 Long Reach/Low Entry
 Model No: YAJ10-40LELR.V2**

Item	Part No.	Description
Q20	YAJ1040LEL222	STEEL BALL
Q21	YAJ1040LEL223	SPRING
Q22	YAJ1040LEL224	SCREW
Q23	YAJ1040LEL225	STEEL BALL
Q24	YAJ1040LEL226	SCREW
Q25	YAJ1040LEL227	SILENCER
Q26	YAJ1040LEL228	CLAMP
Q27	YAJ1040LEL229	STEEL BALL
Q28	YAJ1040LEL230	SPRING
Q29	YAJ1040LEL231	SCREW CAP
Q30	YAJ1040LEL232	O-RING
Q31	YAJ1040LEL233	O-RING
Q32	YAJ1040LEL234	LOCKING RING
Q33	YAJ1040LEL235	GUIDE BUSHING
Q34	YAJ1040LEL236	SEALING
Q35	YAJ1040LEL237	LOCKING RING
Q36	YAJ1040LEL238	PLUNGER BUSHING
Q37	YAJ1040LEL239	AIR CYLINDER
Q38	YAJ1040LEL240	SPRING
Q39	YAJ1040LEL241	PLUNGER ROD
Q40	YAJ1040LEL242	PLUNGER CAP
Q41	YAJ1040LEL243	O-RING
Q42	YAJ1040LEL244	PISTON
Q43	YAJ1040LEL245	SEALING (PK)
Q44	YAJ1040LEL246	SEALING
Q45	YAJ1040LEL247	PISTON
Q46	YAJ1040LEL248	RUBBER CAP
Q47	YAJ1040LEL249	SCREW
Q48	YAJ1040LEL250	SPRING
Q49	YAJ1040LEL251	RUBBER BALL
Q50	YAJ1040LEL252	AIR INLET BASE
Q51	YAJ1040LEL253	ELBOW
Q52	YAJ1040LEL254	SCREW

Item	Part No.	Description
Q53	YAJ1040LEL255	ELBOW
Q54	YAJ1040LEL256	SAFETY VALVE
Q55	YAJ1040LEL257	ELBOW
Q56	YAJ1040LEL258	SPRING
Q57	YAJ1040LEL259	RUBBER BALL
Q58	YAJ1040LEL260	SCREW CAP
Q59	YAJ1040LEL261	SPRING
Q60	YAJ1040LEL262	O-RING
Q61	YAJ1040LEL263	PISTON
Q62	YAJ1040LEL264	ELBOW
Q63	YAJ1040LEL265	CHECK VALVE
Q64	YAJ1040LEL266	SCREW
Q65	YAJ1040LEL267	LOCKING RING
Q66	YAJ1040LEL268	O-RING
Q67	YAJ1040LEL269	SCREW
Q68	YAJ1040LEL270	LOCKING RING
Q69	YAJ1040LEL271	O-RING
Q70	YAJ1040LEL272	O-RING
Q71	YAJ1040LEL273	LOCKING RING
Q72	YAJ1040LEL274	SPRING
Q73	YAJ1040LEL275	STEEL BALL BASE
Q74	YAJ1040LEL276	STEEL BALL
Q75	YAJ1040LEL277	OIL DRAIN VALVE
Q76	YAJ1040LEL278	SPRING
Q77	YAJ1040LEL279	CLAMP SPRING
Q78	YAJ1040LEL280	T-PIECE
Q79	YAJ1040LEL281	O-RING
Q80	YAJ1040LEL282	O-RING
Q81	YAJ1040LEL283	O-RING
Q82	YAJ1040LEL284	OIL DRAIN PISTON
Q83	YAJ1040LEL285	OIL DRAIN BOLT
Q84	YAJ1040LEL286	ELBOW

NOTE: It is our policy to continually improve products and as such we reserve the right to alter data, specifications and component parts without prior notice.

IMPORTANT: No liability is accepted for incorrect use of product.

WARRANTY: Guarantee is 12 months from purchase date, proof of which will be required for any claim.

Sealey Group, Kempson Way, Suffolk Business Park, Bury St Edmunds, Suffolk. IP32 7AR



01284 757500



01284 703534

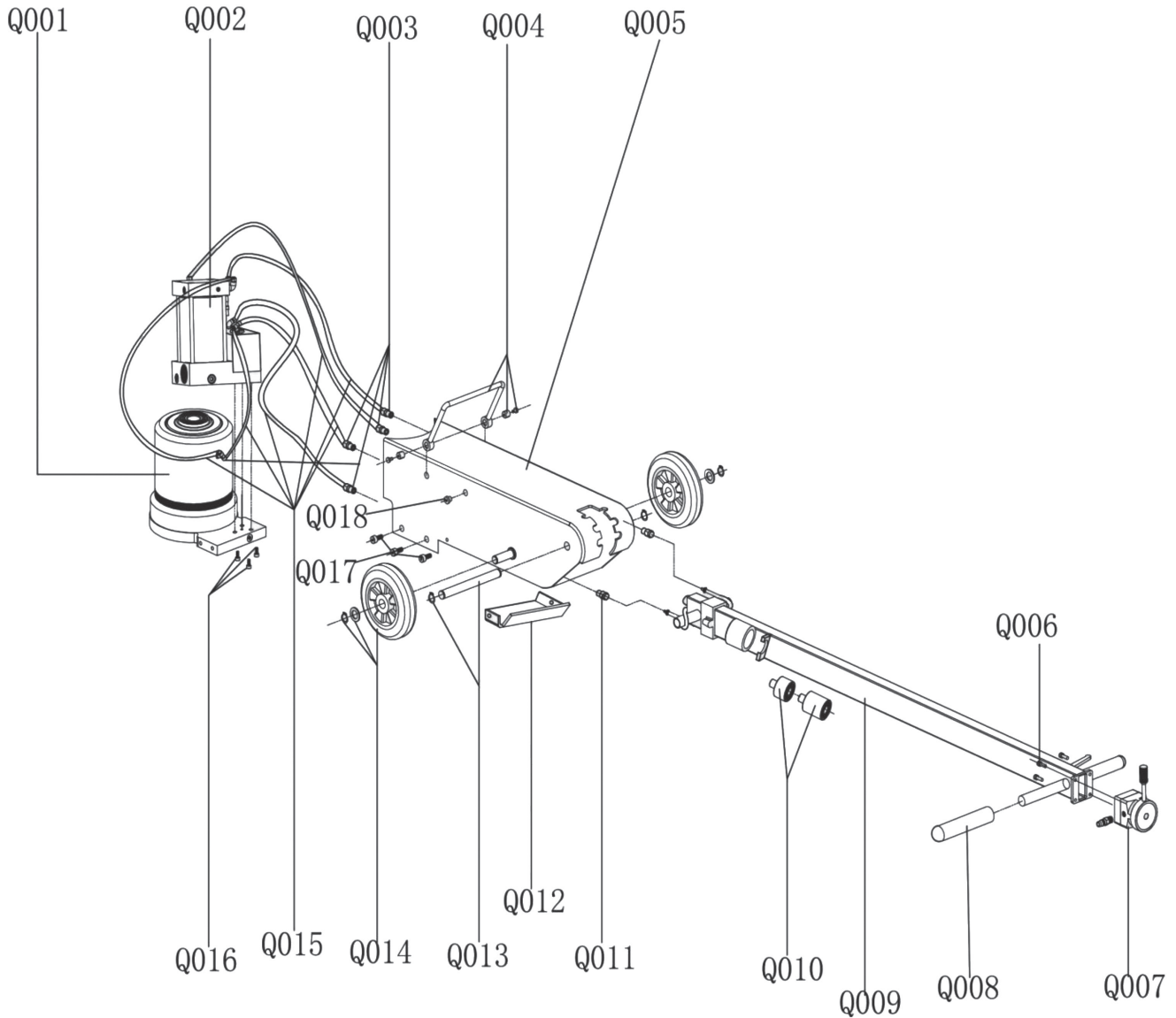


sales@sealey.co.uk



www.sealey.co.uk

Parts Information:
**Air Operated Jack 40tonne Telescopic -
 Long Reach/Low Entry
 Model No: YAJ10-40LELR.V2**



Item	Part No.	Description
Q001	YAJ1040LEL287	OIL CYLINDER ASS'Y
Q002	YAJ1040LEL288	PUMP ASS'Y
Q003	YAJ1040LEL289	CONNECTOR
Q004	YAJ1040LEL290	LIFTING HANDLE SET
Q005	YAJ1040LEL291	TANK BODY
Q006	YAJ1040LEL292	SCREW
Q007	YAJ1040LEL293	SWITCH
Q008	YAJ1040LEL294	HANDLE GRIP
Q009	YAJ1040LEL295	HANDLE

Item	Part No.	Description
Q010	YAJ1040LEL296	ADAPTORS (45mm & 75mm)
Q011	YAJ1040LEL297	CONNECTOR
Q012	YAJ1040LEL298	METAL TRAY
Q013	YAJ1040LEL299	WHEEL AXLE
Q014	YAJ1040LEL100	WHEEL SET
Q015	YAJ1040LEL101	AIR PIPE & OIL PIPE
Q016	YAJ1040LEL102	SCREW
Q017	YAJ1040LEL103	SCREW
Q018	YAJ1040LEL104	SCREW

NOTE: It is our policy to continually improve products and as such we reserve the right to alter data, specifications and component parts without prior notice.

IMPORTANT: No liability is accepted for incorrect use of product.

WARRANTY: Guarantee is 12 months from purchase date, proof of which will be required for any claim.