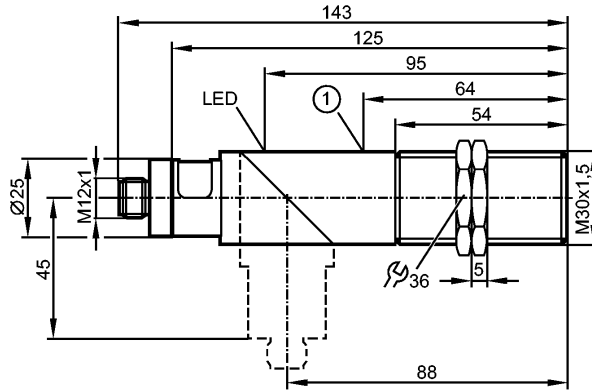


**KI5052**

KIE3015-FPKG/NI/55V/US-100-DPX

Capacitive sensors



1: potentiometer



**Product characteristics**

Capacitive sensor
Plastic thread M30 x 1.5
Connector
Increased immunity to conducted radio frequency interference
Sensing range 15 mm; [nf] non-flush mountable

**Electrical data**

Electrical design	DC PNP
Operating voltage [V]	10...55 DC; "supply class 2" to cULus.
Current consumption [mA]	14 (24 V)
Protection class	II
Reverse polarity protection	yes

**Outputs**

Output function	normally open / closed programmable
Voltage drop [V]	< 2.5
Current rating [mA]	250
Short-circuit protection	pulsed
Overload protection	yes
Switching frequency [Hz]	40

**Range**

Sensing range [mm]	15
--------------------	----

**Environment**

Ambient temperature [°C]	-25...70
Protection	IP 65

**Tests / approvals**

EMC	IEC 60947-5-2:	2007
MTTF [Years]		743

**Mechanical data**

Mounting	non-flush mountable
Housing materials	PBT; end cap: polycarbonate
Weight [kg]	0.147

**Displays / operating elements**

**KI5052**

KIE3015-FPKG/NI/55V/US-100-DPX

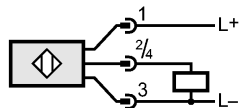
**Capacitive sensors**

Output status indication      LED      yellow

**Electrical connection**

Connection      M12 connector

**Wiring**



**Accessories**

Accessories (included)      2 lock nuts; screwdriver

**Remarks**

Pack quantity      [piece]      1