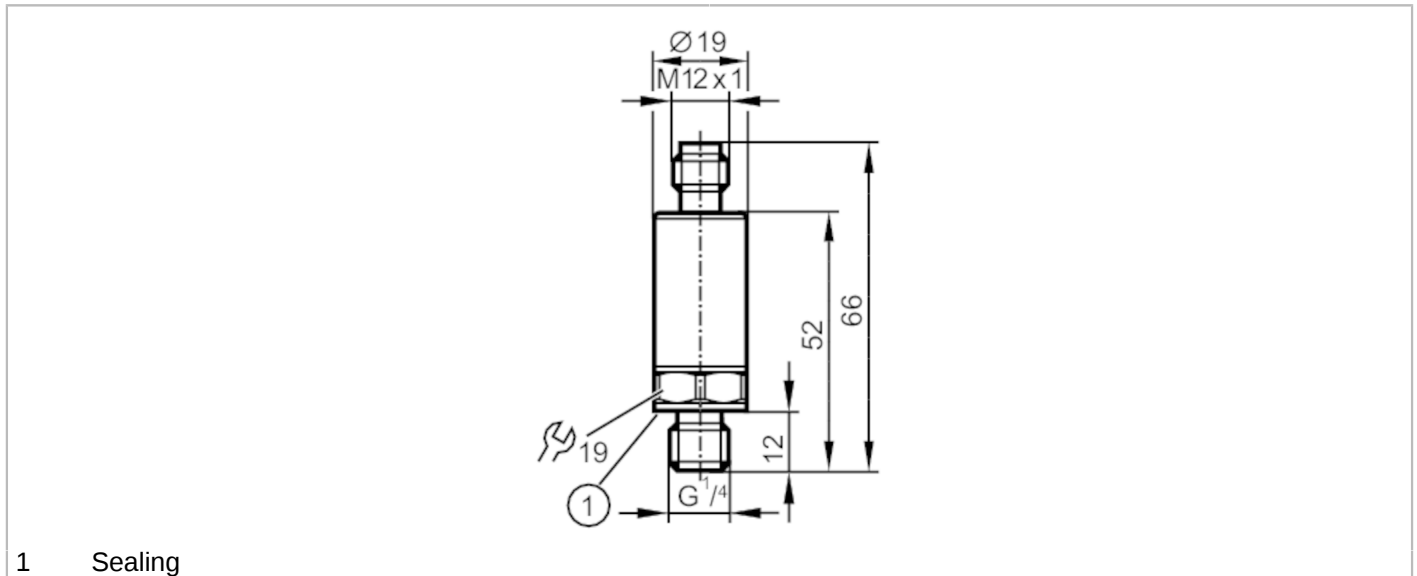


# PU8560



## Pressure transmitter

PU-600-SEG14-C-DVG/US



Product characteristics			
Output signal	analogue signal		
Measuring range	0...600 bar	0...8700 psi	0...60 MPa
Process connection	threaded connection G 1/4 external thread (DIN EN ISO 1179-2)		
Application			
Application	for mobile applications		
Media	liquids and gases		
Medium temperature [°C]	-40...125		
Pressure rating	1500 bar	21755 psi	150 MPa
Note on pressure rating	static		
Min. bursting pressure	2500 bar	36255 psi	250 MPa
Vacuum resistance [mbar]	-1000		
Type of pressure	relative pressure		
Electrical data			
Operating voltage [V]	8...32 DC		
Current consumption [mA]	< 12		
Min. insulation resistance [MΩ]	100; (500 V DC)		
Protection class	III		
Reverse polarity protection	yes		
Inputs / outputs			
Number of inputs and outputs	Number of analogue outputs: 1		

# PU8560



## Pressure transmitter

PU-600-SEG14-C-DVG/US

Outputs			
Total number of outputs		1	
Output signal		analogue signal	
Number of analogue outputs		1	
Analogue voltage output [V]		0.5...4.5	
Min. load resistance [ $\Omega$ ]		2000	
Short-circuit proof		yes	
Overload protection		yes	
Measuring/setting range			
Measuring range	0...600 bar	0...8700 psi	0...60 MPa
Accuracy / deviations			
Repeatability [% of the span]	< $\pm 0,05$ ; (with temperature fluctuations < 10 K)		
Characteristics deviation [% of the span]	< $\pm 0,8$ ; (incl. drift when overtightened, zero point and span error, non-linearity, hysteresis)		
Linearity deviation [% of the span]	< $\pm 0,25$ (BFSL) / < $\pm 0,5$ (LS)		
Hysteresis deviation [% of the span]	< $\pm 0,2$		
Long-term stability [% of the span]	< $\pm 0,1$ ; (per 6 months)		
Temperature coefficient zero point [% of the span / 10 K]	< $\pm 0,1$ (0...80 °C); < $\pm 0,2$ (-40...0 °C / 80...125 °C)		
Temperature coefficient span [% of the span / 10 K]	< $\pm 0,1$ (0...80 °C); < $\pm 0,2$ (-40...0 °C / 80...125 °C)		
Response times			
Step response time analogue output [ms]		2	
Operating conditions			
Ambient temperature [°C]		-40...100	
Storage temperature [°C]		-40...100	
Protection		IP 67; IP 69K	
Tests / approvals			
EMC	compliant with UN ECE R10, rev. 5		
	ISO 11452-2	100 V/m	
	DIN EN 61326-1		
Shock resistance	DIN EN 60068-2-27	500 g (1 ms)	
Vibration resistance	DIN EN 60068-2-6	20 g (10...2000 Hz)	
MTTF [years]		658	
Pressure Equipment Directive		Modul A; can be used for group 2 fluids; group 1 fluids on request	

# PU8560



## Pressure transmitter

PU-600-SEG14-C-DVG/US

Mechanical data	
Weight [g]	58.5
Materials	1.4542 (17-4 PH / 630); stainless steel (1.4404 / 316L); PEI
Materials (wetted parts)	1.4542 (17-4 PH / 630)
Min. pressure cycles	60 million; (at 1.2 times nominal pressure)
Tightening torque [Nm]	30...50; (recommended tightening torque; depends on lubrication, seal and pressure rating)
Process connection	threaded connection G 1/4 external thread (DIN EN ISO 1179-2)
Process connection sealing	HNBR (to DIN 3869)
Restrictor element integrated	yes

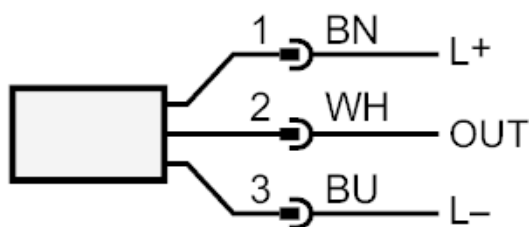
Remarks	
Remarks	BFSL = Best Fit Straight Line LS = limit value setting
Pack quantity	1 pcs.

## Electrical connection

Connector: 1 x M12; Maximum cable length: 30 m



## Connection



OUT            analogue output  
                 colours to DIN EN 60947-5-2  
                 Core colours :

BN =            brown  
BU =            blue  
WH =            white