

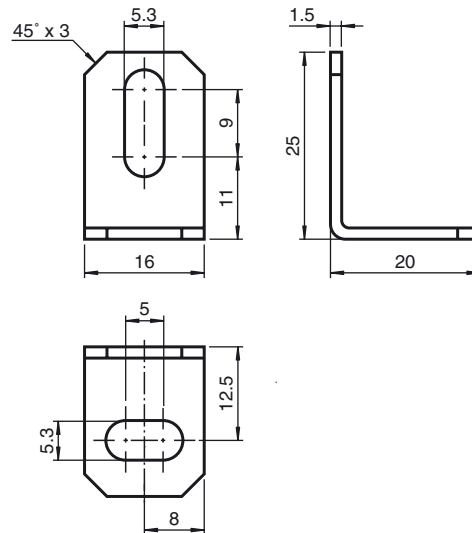


Model Number

MH-F90

Mounting bracket for mounting of F90 sensors

Dimensions



Technical data

Mechanical specifications

Material	Metal sheet (steel), zinc-plated
Note	2 pieces, included with delivery