



### Model Number

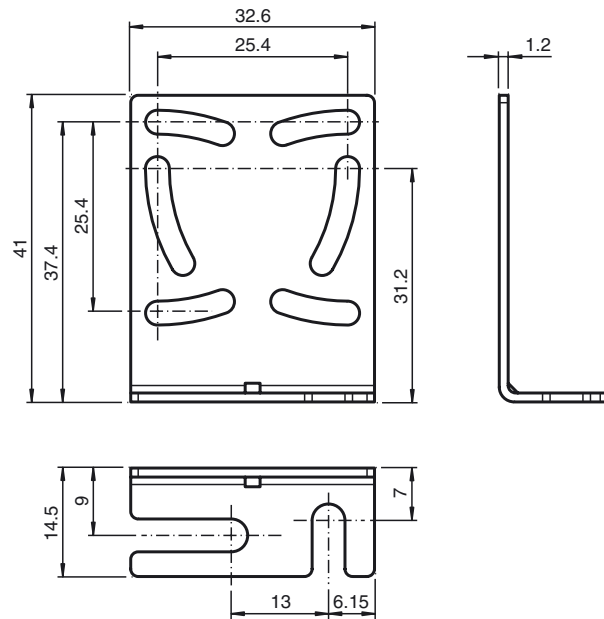
**OMH-ML100-05**

Mounting bracket

### Features

- Mounting bracket
- Simple and fast mounting

### Dimensions



### Technical data

#### Mechanical specifications

Material	Stainless steel
Mass	approx. 12 g
Mounting	Mounting accessories included

#### Suitable series

Series	ML100
--------	-------