

Through-Beam Sensor for PET Selection

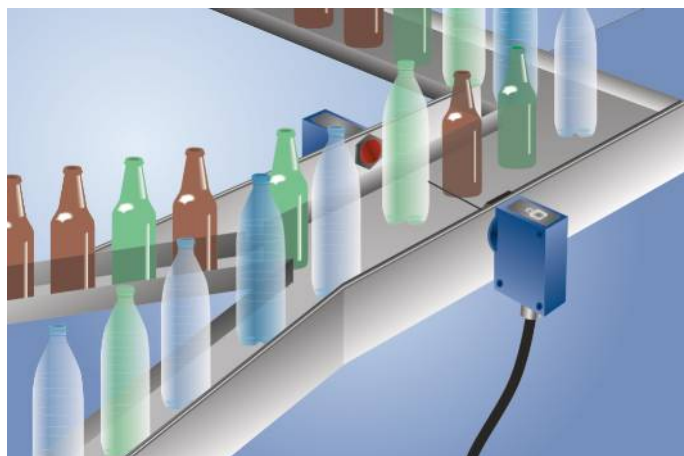
OSRS946

Part Number



- Compact housing
- Red light
- Simple installation
- Test input

These through-beam sensors distinguish transparent PET from other transparent materials such as glass and opaque objects. They have two switch outputs for representing these two states. The sensor can be tested for its function by means of the test input. Furthermore, several transmitters can be synchronized whereby close sensors do not affect each other. The M18 threaded mounting enables the Sensor to be easily mounted and protected mechanically.



Technical Data

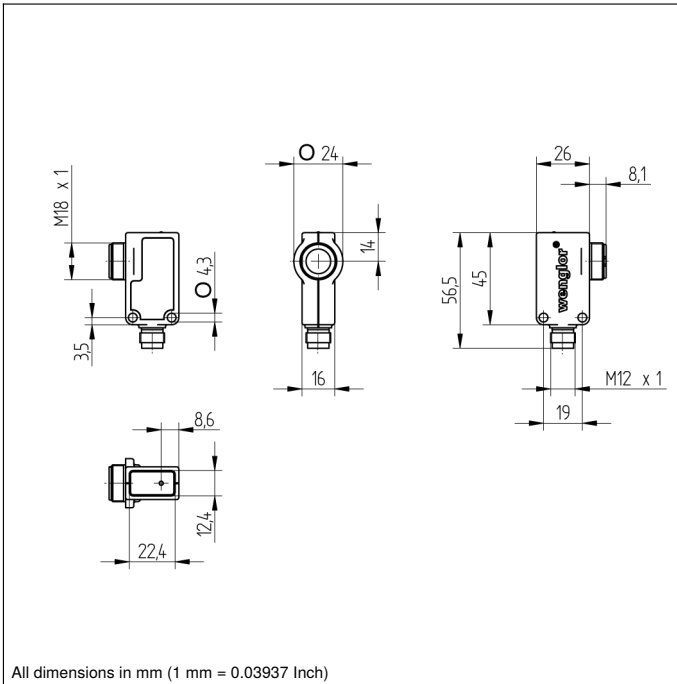
Optical Data	
Range	300 mm
Light Source	Red Light
Service Life (T = +25 °C)	100000 h
Opening Angle	4 °
Electrical Data	
Sensor Type	Emitter
Supply Voltage	10...30 V DC
Current Consumption (U _b = 24 V)	< 30 mA
Temperature Drift	< 10 %
Temperature Range	-25...60 °C
Reverse Polarity Protection	yes
Test input	yes
Protection Class	III
Mechanical Data	
Housing Material	Plastic
Full Encapsulation	yes
Degree of Protection	IP67
Connection	M12 × 1; 4-pin
Connection Diagram No.	792
Control Panel No.	R2
Suitable Connection Equipment No.	2
Suitable Mounting Technology No.	150 370

Suitable Receiver

OERS947
OERS948

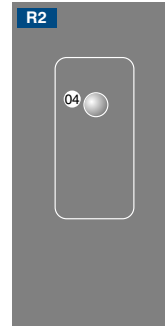
Complementary Products

Dust Extraction Tube STAUBTUBUS-01



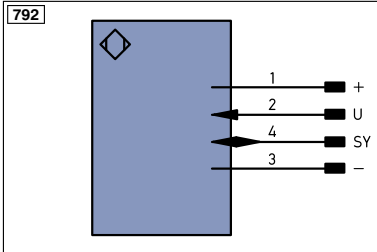
All dimensions in mm (1 mm = 0.03937 Inch)

Ctrl. Panel



04 = Function Indicator

792



Legend

+	Supply Voltage +	PT	Platinum measuring resistor	EN ^A ES422	Encoder A/Ā (TTL)
-	Supply Voltage 0 V	nc	not connected	EN ^B ES422	Encoder B/B̄ (TTL)
~	Supply Voltage (AC Voltage)	U	Test Input	EN ^A	Encoder A
A	Switching Output (NO)	Ū	Test Input inverted	EN ^B	Encoder B
Ā	Switching Output (NC)	W	Trigger Input	A ^{MIN}	Digital output MIN
V	Contamination/Error Output (NO)	W-	Ground for the Trigger Input	A ^{MAX}	Digital output MAX
Ṽ	Contamination/Error Output (NC)	O	Analog Output	A ^{OK}	Digital output OK
E	Input (analog or digital)	O-	Ground for the Analog Output	SY ⁱⁿ	Synchronization In
T	Teach Input	BZ	Block Discharge	SY ^{OUT}	Synchronization OUT
Z	Time Delay (activation)	A ^{MV}	Valve Output	OL ^T	Brightness output
S	Shielding	a	Valve Control Output +	M	Maintenance
RxD	Interface Receive Path	b	Valve Control Output 0 V	rsv	reserved
TxD	Interface Send Path	SY	Synchronization	Wire Colors according to DIN IEC 757	
RDY	Ready	SY-	Ground for the Synchronization	BK	Black
GND	Ground	E+	Receiver-Line	BN	Brown
CL	Clock	S+	Emitter-Line	RD	Red
E/A	Output/Input programmable	±	Grounding	OG	Orange
	IO-Link	S ⁿ R	Switching Distance Reduction	YE	Yellow
PoE	Power over Ethernet	Rx+/-	Ethernet Receive Path	GN	Green
IN	Safety Input	Tx+/-	Ethernet Send Path	BU	Blue
OSSD	Safety Output	Bus	Interfaces-Bus A(+)/B(-)	VT	Violet
Signal	Signal Output	L ^a	Emitted Light disengageable	GY	Grey
Bl_D+/-	Ethernet Gigabit bidirect. data line (A-D)	Mag	Magnet activation	WH	White
EN ⁰ ES422	Encoder 0-pulse 0-0̄ (TTL)	RES	Input confirmation	PK	Pink
		EDM	Contacting Monitoring	GNYE	Green/Yellow

