

LUSB Connector Series

Type A, Right Angle with Positive Latch
Product Specification S6044C Rev 0.5

Amphenol

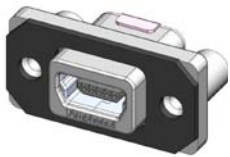
Now you're connected!

About Amphenol Commercial Products

Amphenol's commercial connector products are used in a variety of end user applications including networking, telecom, server & computer, storage & HDD, consumer electronics and entertainment, professional audio & Industrial & Military/Aerospace.

Related Products

MUSB

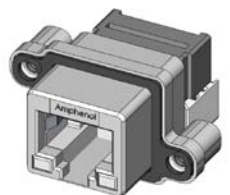


MUSB-B151-34
SERIES MINI-B, RIGHT
ANGLE SHOWN

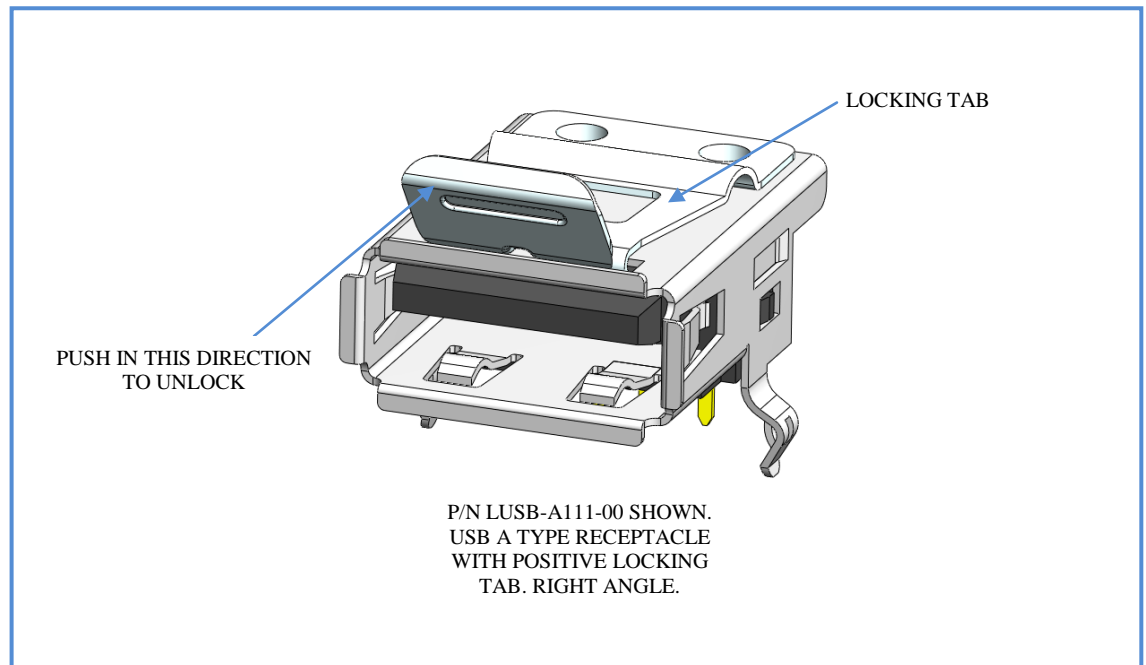


MUSB-C111-30
SERIES A, RIGHT ANGLE,
STACKED SHOWN

MRJ



MRJ-5380-01 SHOWN
RIGHT ANGLE, PCB TAIL, 8
POSITION RJ45



Overview

This Product Specification defines the general use and performance parameters for Amphenol's LUSB, USB with positive locking series of connectors.

Availability: USB 2.0 series type A, right angle PCB mount. USB 3.0 series type A, right angle PCB mount available now. USB 2.0 series type A, vertical planned for future release.

Usage

The connector system is designed to provide a standard USB interface with a unique latching mechanism to prevent the unintentional interruption of data transmission. The latch must be intentionally raised in order to remove the plug. An accidental pull on the cable up to 50N (11.2lbs) force will not separate the connectors.

Applications

Intended for use in applications such as:

- Medical equipment
- ATM machines
- Lottery Terminals
- GPS
- Military Vehicles, radios, PDA
- Hand Held Data Loggers
- Mobile Entertainment Systems

Now you're connected!

About Amphenol Commercial Products

Amphenol's commercial connector products are used in a variety of end user applications including networking, telecom, server & computer, storage & HDD, consumer electronics and entertainment, professional audio & Industrial & Military/Aerospace.

Related Products

MUSB

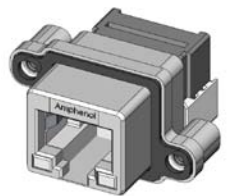


MUSB-B151-34
SERIES MINI-B, RIGHT
ANGLE SHOWN



MUSB-C111-30
SERIES A, RIGHT ANGLE,
STACKED SHOWN

MRJ



MRJ-5380-01 SHOWN
RIGHT ANGLE, PCB TAIL, 8
POSITION RJ45

Connector Electrical Characteristics

Maximum current: 1.5A per contact for USB 2.0
1.8A for positions 1 & 4 with 0.25A on remaining positions on the USB 3.0
Contact resistance: 30 mΩ max
Insulation Resistance: 1000 MΩ min
DWV: 500 VAC @ sea level

Connector Mechanical Characteristics

Standard USB interface
Thermal Shock: 10 cycles -65°C to +105°C
Physical Shock: Per EIA-364-27 Condition H (11ms 30G)
Humidity: Per EIA-364-31B, Method III, Condition B
Vibration: Per EIA-364-28D per Condition V, Test A
Durability: 1500 mating cycles
Insertion Force: 35 N (7.87 lbs) max
Withdrawal Force: 8 N (1.8 lbs) min with latch disengaged

Material Requirements

LUSB connectors are RoHS compliant.
Unless otherwise specified, the materials for each component shall be:

Connector

- Contacts
 - Base material: Copper alloy
 - Plating: 30 μ" (0.76 μm) min Gold over Nickel
- Housing: High temperature thermoplastic, UL94V-0 rated, Black
- Shell
 - Base material: Copper alloy
 - Plating: Nickel
- Locking Tab: Stainless Steel

Temperature rise: Meets the requirement of 30° C ΔT
Operating temperature -40° to +85° C

Available Documents

Drawing Numbers:

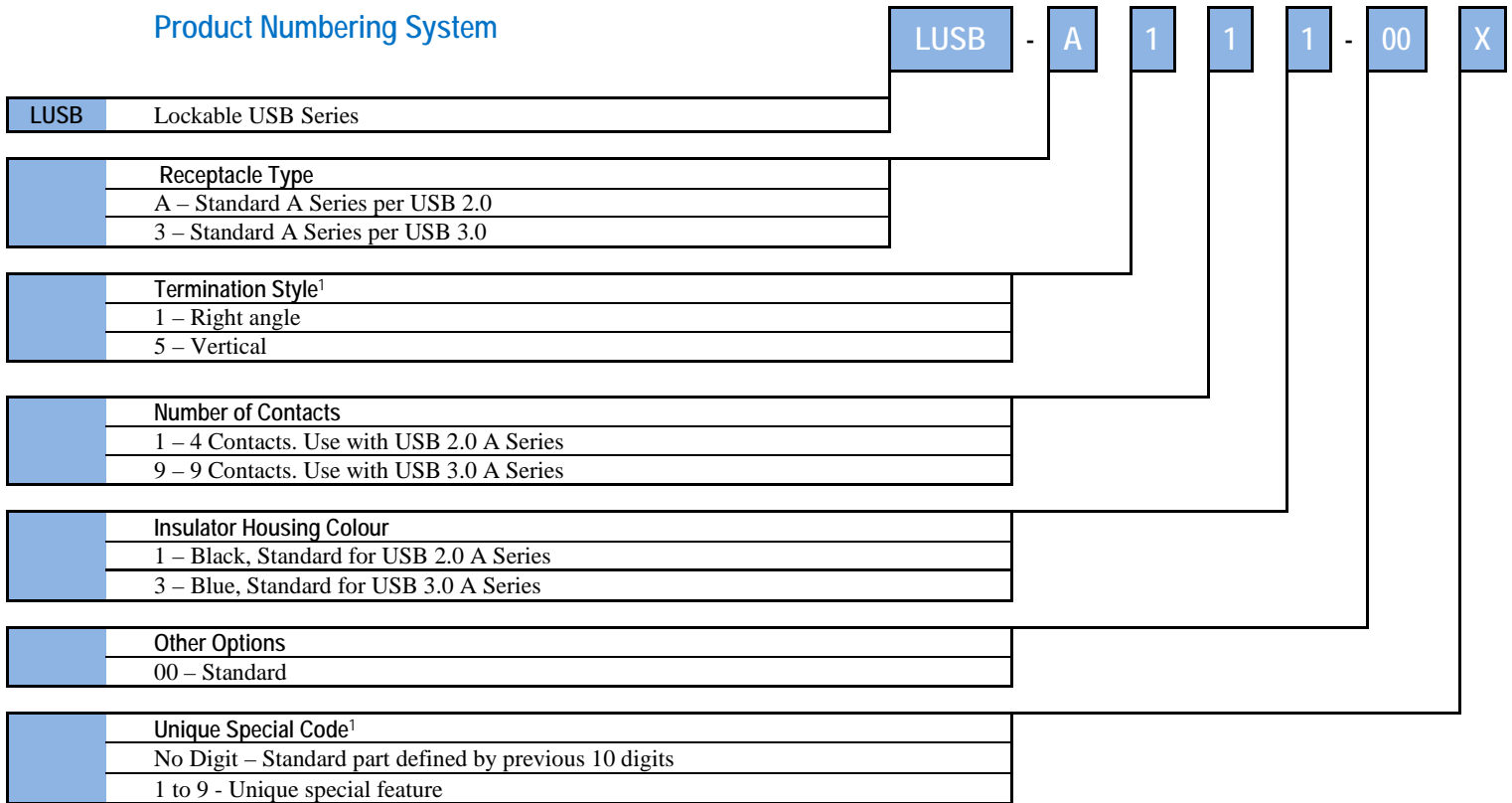
P-LUSB-A111-00 LUSB Series A Right Angle Receptacle with Positive Locking Tab
P-LUSB-3193-00 LUSB Series USB 3.0 Type A Receptacle with Positive Locking Latch
P-LUSB-A511-00 LUSB Series A Vertical Receptacle with Locking Latch

QTR:

QTR9300426 Qualification Test Report

Now you're connected!

Product Numbering System



Notes:

- 1) Consult with Amphenol for additional connectors such as vertical or upright (flag) termination styles, contact tail lengths, latch styles or other special requirements