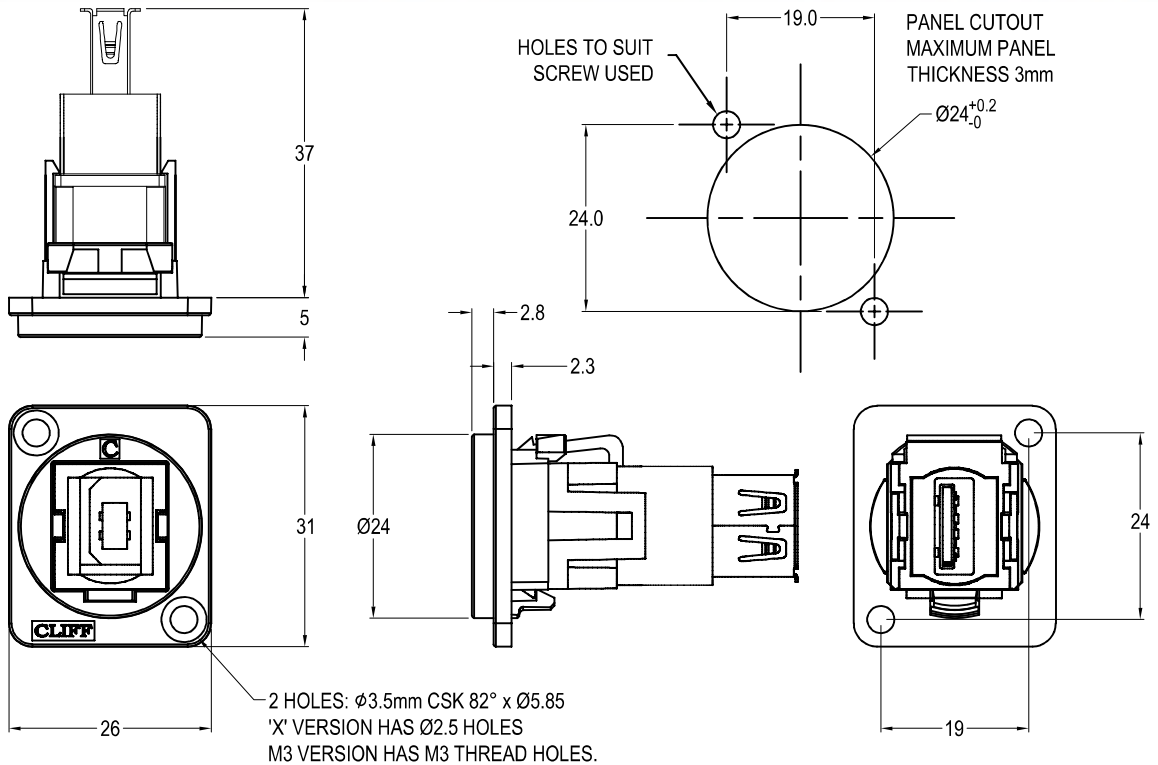




# USB2.0 B-A FEEDTHROUGH CONNECTOR



### Feedthrough Features

- Fits standard XLR  $\text{Ø}24\text{mm}$  cutout.
- No soldering or punch termination. Use standard cable for each connector style.
- Front or rear mounted.
- Low rear profile

### General:

Please note: Functionality is affected by cable quality, length and cable wiring configuration.

### Material:

1. Insert: ABS
2. Plastic Frame: Polyamide UL94 V2
3. Metal Frame: Diecast, Black or Nickel plated
4. Shell: Nickel plated steel
5. Contacts: Gold Plated

### VARIANTS

#### Part No.

- CP30207N** USB2.0 B-A Black plastic frame, CSK holes
- CP30207NW** USB2.0 B-A White plastic frame, CSK holes
- CP30207NM** USB2.0 B-A Nickel plated metal frame, CSK holes
- CP30207NM3** USB2.0 B-A Nickel plated metal frame, M3 holes
- CP30207NMB** USB2.0 B-A Black metal frame, CSK holes
- CP30207NM3B** USB2.0 B-A Black metal frame, M3 holes
- CP30207NX** USB2.0 B-A Black plastic frame, PLAIN holes
- CP30207NXW** USB2.0 B-A White plastic frame, PLAIN holes

### Notes:

1. Voltage rating: 30V AC
2. Current rating: 1.5 A max
3. Contact resistance: 50m $\Omega$  max
4. Insulation resistance: 20M $\Omega$  min
5. Dielectric withstanding voltage: 500V AC
6. Operating Temperature: -20°C to 50°C