

R1100

Brass high pressure regulator,
for compressed air, gas and liquids



FEATURES

High pressure regulator for cylinder or manifold; standard version inlet pressure up to 220 bar (3190 psi), higher pressure for special versions.

Ideal for industrial applications and welding equipment.

Cylinder connections according to UNI standard, other connections available on request.

Outlet pressure up to 15 bar (218 psi) is controlled by a diaphragm; greater outlet pressures are controlled by a piston.

Available the ATEX 2014/34/EU version.

Brand $\text{CE} \text{ II2GclICTX}$
 $\text{CE} \text{ II2DclICTX}$.

For use in potentially explosive atmospheres zones: 1, 21, 2, 22 (not for mines and zone 0).

Available the EAC-EX TP TC 012/2011 versions for the Russian market.

The product complies with the directive 2014/68/EU (PED)

SPECIFICATIONS

Gauges: accuracy class 1,6

Regulator weight: ~4 Kg (~8,8 lb)

Regulator weight HF version: ~4.6 Kg (~10,1 lb)

Standard version operating temperature -20°C ÷ +60°C (-4°F ÷ 140°F)

Main valve leakage classification: VI (bubble tight)

Flow coefficient: $K_v = 0.15 \text{ Nm}^3/\text{h}$ ($C_v = 0,18 \text{ US gal/min}$)

Degree of protection: IP25

Integrated relief valve (not for 20-200 bar outlet pressure version)

MATERIALS

Body and bonnet: brass

Internal parts: brass

Adjusting spring: C85 (not in contact with the fluid)

Main valve spring: stainless steel AISI 302

Diaphragm (for outlet pressure up to 15 bar): two coupled diaphragms NBR+PTFE, PTFE in contact with the fluid

Piston (for greater outlet pressure): brass

O-rings: EPDM or FPM depending on the fluid (other compounds available on request)

Main valve gasket: PA 6.6 (EPDM for PS 15 bar)

ACCESSORIES

Ring-nut

Kit bracket and ring-nut

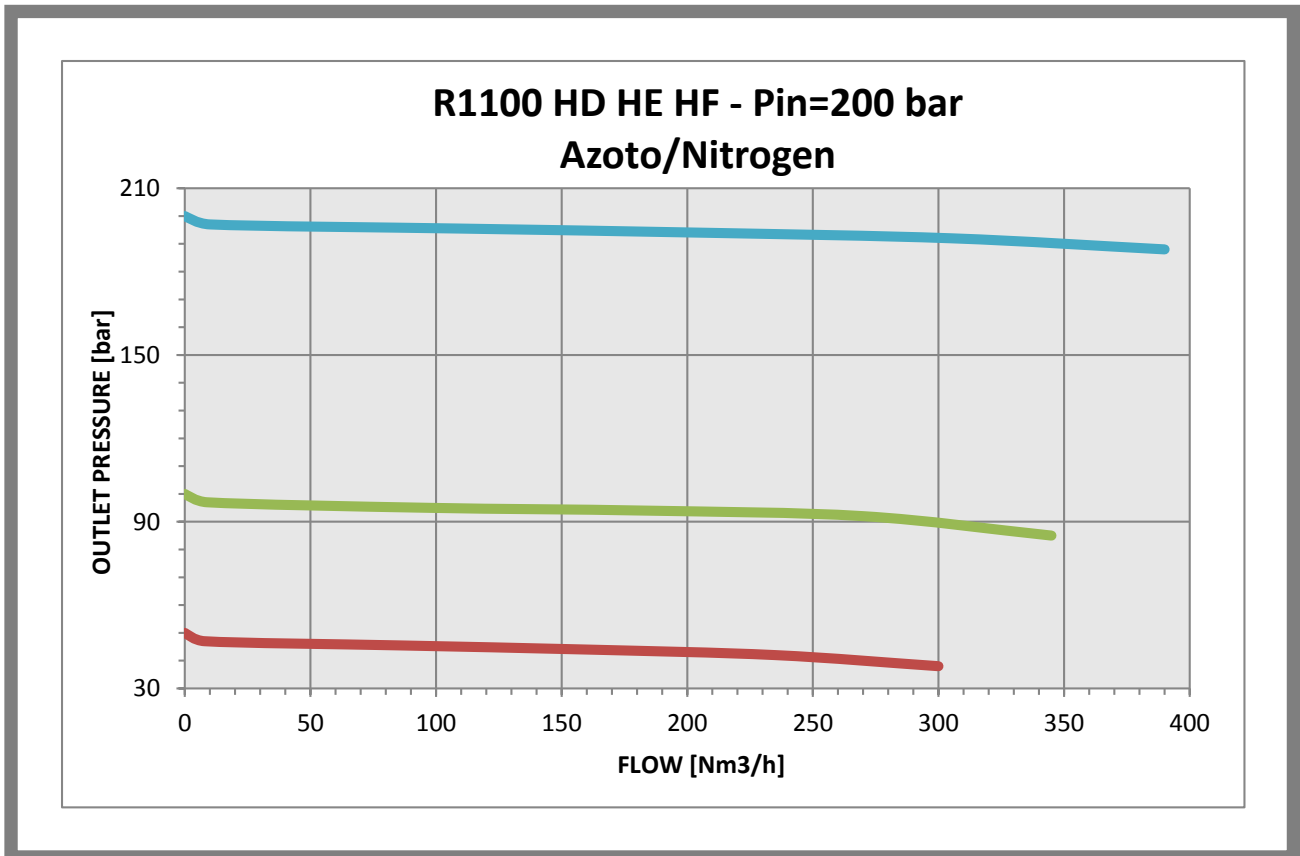
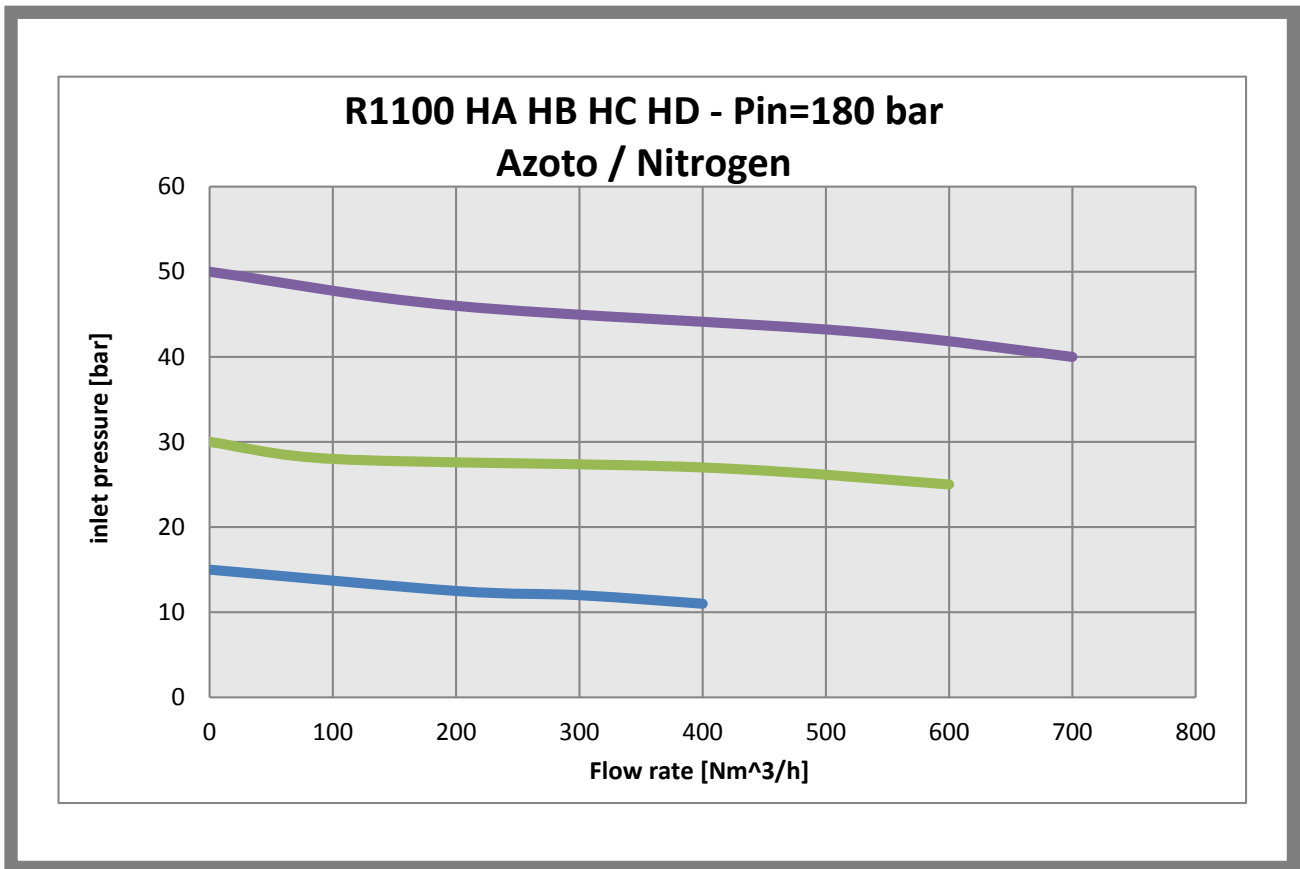
SPARE PARTS

Gauges

Relief valve

Complete kit: gaskets, assembled diaphragm, filter, main valve, O-rings

flow charts



generating the product code

REGOLATORE R1100 Ottone			
AA BB CC DD E FF			
AA	Attacchi / Connections	00	Vedi tipo fluido, tabella DD
BB	Pressione d'ingresso / Inlet pressure	B0	PS 15 bar L
		J0	PS 220 bar H
		L0	PS 80 bar M
CC	Intervallo d'uscita/ Outlet range	A0	Pout 0,2 - 1,5 bar
		D0	Pout 0,8 - 8 bar
		E0	Pout 1,5 - 15 bar
		F0	Pout 3 - 30 bar
		G0	Pout 5 - 50 bar
		V0	Pout 20 - 200 bar
		X0	Pout 10 - 100 bar
DD	Tipologia di fluido / Fluid type	12	02 PED CLASSE III
		U1	1H - UNI 11144 PED CLASSE III
		U2	2- UNI 11144
		U5	5- UNI 11144
		U6	6- UNI 11144
		U7	7S- UNI 11144 - C2H2
		U8	8- UNI 11144
		U9	9- UNI 11144
E	Marchiato/ Marked	I	ID
		Z	Dir. ATEX 2014/34/EU
FF	Accessori/ Accessories	00	Nessun accessorio / No accessories
		05	Preparato ...
		11	Convogliata

CODE COMPOSITION EXAMPLE

1100# 00 J0 E0 U8 I 00

1100#: Regulator R1100 in brass

00: Connection depending on the fluid according to the table DD

J0: Maximum inlet pressure 220 bar

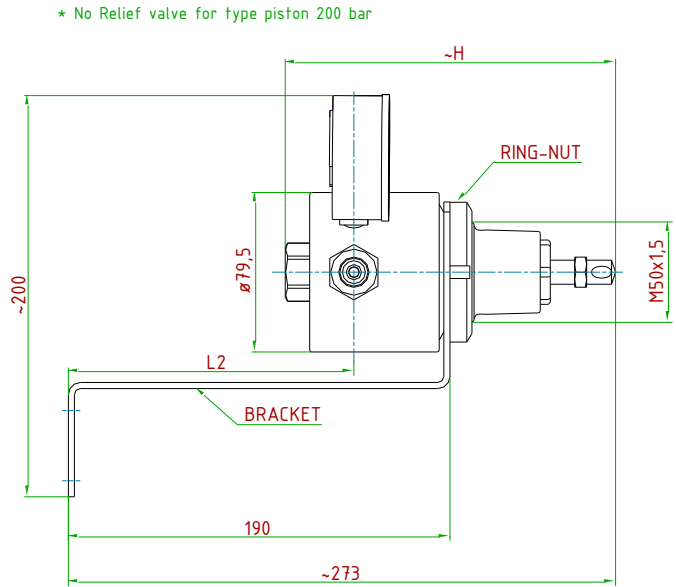
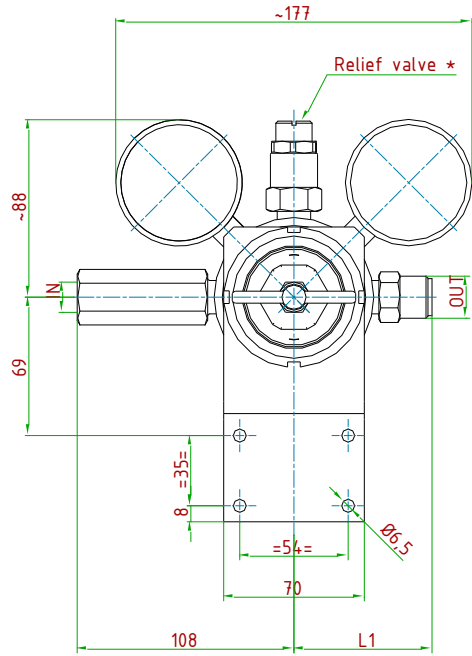
E0: Outlet pressure range 1,5-15 bar

U8: Cylinder inlet connection according to standard UNI 8-UNI11144

I: Insert Deal

00: No accessories

technical drawings (all dimensions in mm)



TYPE	OUT	~H	L1	L2
Diaphragm	G3/8-F	162	69	142
Piston 30/50 bar	G3/8-F	164	Thread in the body without connection	140
piston 200 bar	G3/8-F	182	Thread in the body without connection	122

ID Insert Deal Srl

Strada dei Boschi, 40
20852 Villasanta (MB) Italia
tel. +39 039 302035
info@idinsertdeal.com
www.idinsertdeal.com

ID Insert Deal si riserva il diritto di cambiare le specifiche del prodotto senza preavviso.
ID Insert Deal reserves the right to change and/or modify product specifications without prior notice.

Insert Deal non si assume alcuna responsabilità per la scelta, uso e manutenzione di qualsiasi prodotto. La responsabilità per l'ideale scelta, uso e manutenzione di qualsiasi prodotto ID rimane interamente a carico dell'acquirente.

Insert Deal does not assume responsibility for selection, use and maintenance of any products. Responsibility for proper selection, use and maintenance of any ID products remains entirely to the purchaser.

Riproduzione vietata. Tutti i diritti riservati; nessuna parte del presente documento può essere riprodotta senza autorizzazione di ID Insert Deal Srl.
Reproduction forbidden. All rights reserved; the hereby document can't be reproduced, also partially, without the authorization of ID Insert Deal Srl.

PRESSURE REGULATOR_R1100_EN_06



Azienda con sistema di gestione qualità certificato.
certificato N° 50 100 9191
Company with certificated quality management system.
certificate N° 50 100 9191