

## Line laser, green, 532 nm, 90 °, 30 mW

LD532-30-230(40x210)  
Order Number: 70110234

Main Parameters (*)	min	typ	max	Unit
Wavelength		532		nm
Optical Output Power		30		mW
Operating Voltage	207	230	253	V AC
Operating Current	15	25	30	mA
Operating Temperature	15		30	°C
Storage Temperature	-40		80	°C

### Main Data

Warranty 1 years

### Technical Parameters

Lifetime > 10,000 h  
RoHS yes

### Optical Parameters

Beam Shape	Line
Laser Class	2M
Divergence	D - 0.5 mrad
Fan Angle	90 °
Line Thickness	<3mm@7m
Operating Distance	25 m
Optics	glass lens AR coated
Beam Mode	TEM00
Laser technology	YVO4+KTP
Stability	+/- 20% @ 15-30°C
Focus	fixed (7.0m)
Warm up time	< 15 min

### Electrical Parameters

Potential of Housing isolated  
Connector AC CEE 7/7

### Mechanical Parameters

Size	Ø40x210 mm
Material	aluminium
Cable length	1,750 mm
Wire type	H05VV-F
Output Aperture	8 mm
Weight	920 g

(\*) Over the complete operating temperature range

## Features



- Operating Voltage 230 V AC
- Glas lenses anti reflex coated
- Laser Class 2M
- High power
- Uniform line thickness

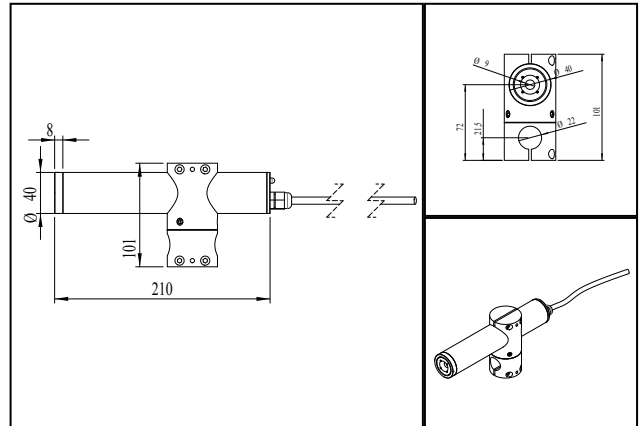
## Picture



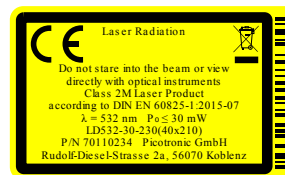
Montageplatte optional  
Base Plate not included



## Drawing



## Safety Label



## Valid Revision

1 | 15-SEP-2021