



## Für Ventile der Serien 516 (pneumatisch) und 517 (elektropneumatisch)

5510.02-18–5510.38-A, 5520.02-18–5520.12-A

### Produktbeschreibung

Grundplatten aus Alu-Legierung 6061-T6 für 2 bis 8 Ventilpositionen.

### Technische Daten

Typen Nr.	5510.02-18–5510.08-18	5510.02-14–5510.08-14	5510.02-38–5510.08-38
Baugröße	100	200	300
Medium	Luft (Filtration mit $\leq 40 \mu\text{m}$ Filter notwendig)		
Passend für Baureihe	517.1000, 517.1001, 517.1100, 517.1101, 517.1200, 517.1201, 517.1300, 517.1301, 517.1400, 517.1401, 517.1500, 517.1501, 516.1000, 516.1001, 516.2000, 516.2001, 516.3000, 516.3001	517.1002, 517.1003, 517.1102, 517.1103, 517.1202, 517.1203, 517.1302, 517.1303, 517.1402, 517.1403, 517.1502, 517.1503, 516.1002, 516.1003, 516.2002, 516.2003, 516.3002, 516.3003	517.1004, 517.1005, 517.1104, 517.1105, 517.1204, 517.1205, 517.1304, 517.1305, 517.1404, 517.1405, 517.1504, 517.1505, 516.1004, 516.1005, 516.2004, 516.2005, 516.3004, 516.2005

Typen Nr.	5520.02-18–5520.08-18	5520.02-14–5520.08-14	5520.02-38–5520.08-38	5520.02-12–5520.08-12
Baugröße	100	200	300	400
Medium	Luft (Filtration mit $\leq 40 \mu\text{m}$ Filter notwendig)			
Passend für Baureihe	517.2000, 517.2001, 517.2100, 517.2101, 517.2200, 517.2201, 517.2300, 517.2301, 517.3000, 517.3001, 517.3100, 517.3101, 517.3200, 517.3201, 517.3300, 517.3301, 517.3400, 517.3401, 517.3500, 517.3501, 516.4000, 516.4001, 516.5000, 516.5001, 516.6000, 516.6001, 516.7000, 516.7001, 516.8000, 516.8001	517.2002, 517.2003, 517.2102, 517.2103, 517.2202, 517.2203, 517.2302, 517.2303, 517.3002, 517.3003, 517.3102, 517.3103, 517.3202, 517.3203, 517.3302, 517.3303, 517.3402, 517.3403, 517.3502, 517.3503, 516.4002, 516.4003, 516.5002, 516.5003, 516.6002, 516.6003, 516.7002, 516.7003, 516.8002, 516.8003	517.2004, 517.2005, 517.2104, 517.2105, 517.2204, 517.2205, 517.2304, 517.2305, 517.3004, 517.3005, 517.3104, 517.3105, 517.3204, 517.3205, 517.3304, 517.3305, 517.3404, 517.3405, 517.3504, 517.3505, 516.4004, 516.4005, 516.5004, 516.5005, 516.6004, 516.6005, 516.7004, 516.7005, 516.8005, 516.8005	517.2006, 517.2106, 517.2206, 517.2306, 517.3006, 517.3106, 517.3206, 517.3306, 517.3406, 517.3506, 516.4006, 516.5006, 516.6006, 516.7006, 516.8006

### Bestellinformationen

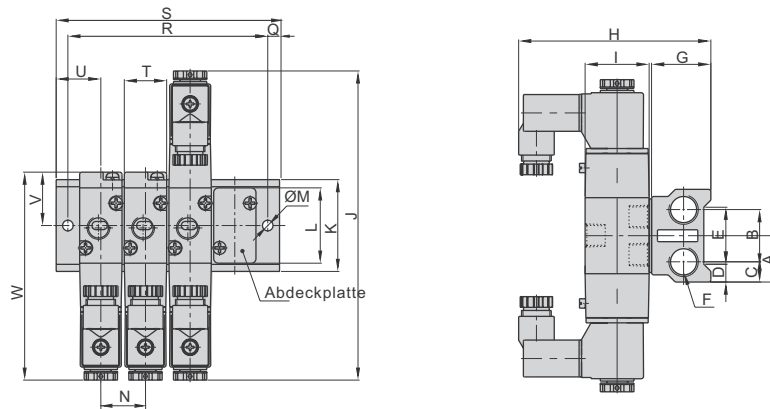
Typen Nr.	Typ
5510.02-18–5510.38-A	Grundplatte für 3/2-Wegeventile
5520.02-18–5520.12-A	Grundplatte für 5/2- und 5/3-Wegeventile

Für Ventile der Serien 516 (pneumatisch) und 517 (elektropneumatisch)

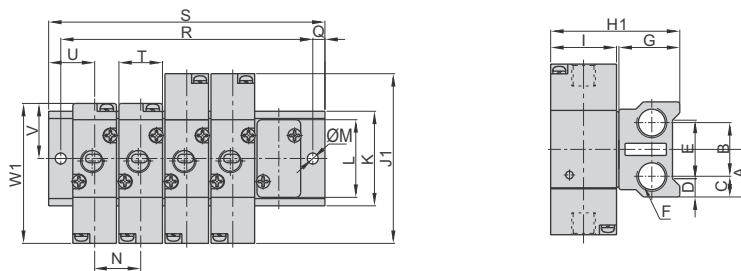
5510.02-18-5510.38-A, 5520.02-18-5520.12-A

Maße

Serie 517



Serie 516



Typen Nr.	A	B	C	D	E	F	G	H	H1	I	J	J1	K	L	M	N	Q	T	U
5510.02-18-5510.08-18	19,5	22,0	8,5	7,5	24,0	1/4"	25,0	81,0	53,0	27,0	131,4	70,0	39,0	32,0	4,5	19,0	5,0	18,0	19,0
5510.02-14-5510.08-14	22,5	25,0	10,0	8,0	29,0	1/4"	25,0	92,7	61,0	35,0	162,4	84,0	45,0	40,0	4,5	23,0	6,0	22,0	23,0
5510.02-38-5510.08-38	26,0	28,0	12,0	8,0	36,0	3/8"	29,0	99,2	70,0	40,0	174,8	96,0	52,0	47,0	4,5	28,0	6,0	27,0	27,0

(Werte in mm, Ausnahme F = Zoll)

Typen Nr.	R								S								V	W	W1
	1F	2F	3F	4F	5F	6F	7F	8F	1F	2F	3F	4F	5F	6F	7F	8F			
5510.02-18-5510.08-18	28,0	47,0	66,0	85,0	104,0	123,0	142,0	161,0	38,0	57,0	76,0	95,0	114,0	133,0	152,0	171,0	22,7	88,4	57,7
5510.02-14-5510.08-14	34,0	57,0	80,0	103,0	126,0	149,0	172,0	195,0	46,0	69,0	92,0	115,0	138,0	161,0	184,0	207,0	27,7	109,1	69,7
5510.02-38-5510.08-38	42,0	70,0	98,0	126,0	154,0	182,0	210,0	238,0	54,0	82,0	110,0	138,0	166,0	194,0	222,0	250,0	32,5	119,9	80,5

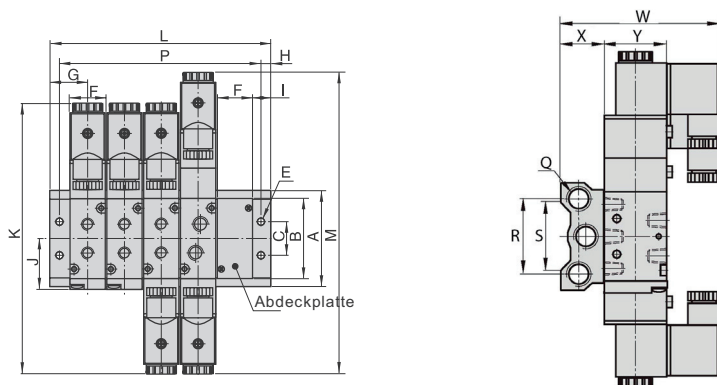
(Werte in mm)

## Für Ventile der Serien 516 (pneumatisch) und 517 (elektropneumatisch)

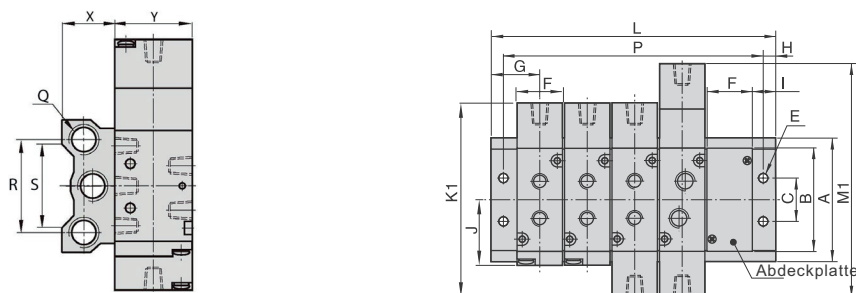
5510.02-18–5510.38-A, 5520.02-18–5520.12-A

### Maße

Serie 517



Serie 516



Typen Nr.	A	B	C	E	F	G	H	I	J	K	K1	M1	M1	Q	R	S
5520.02-18–5520.08-18	57,5	43,2	20,0	4,5	18,3	19,0	5,0	10,0	28,2	139,4	81,0	154,5	96,0	1/4"	40,0	30,0
5520.02-14–5520.08-14	60,0	50,7	21,0	4,5	22,4	23,0	6,0	12,0	31,7	170,0	92,0	189,0	111,0	1/4"	43,0	32,0
5520.02-38–5520.08-38	75,0	64,8	26,0	4,5	27,3	27,0	6,0	13,5	40,0	188,8	111,0	208,0	130,0	3/8"	53,0	48,0
5520.02-12–5520.08-12	100,0	94,5	32,0	5,5	34,3	31,5	7,0	14,5	57,0	221,8	142,0	243,0	163,0	1/2"	68,0	67,0

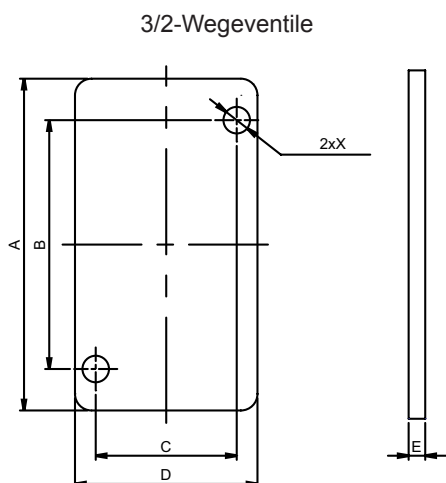
(Werte in mm, Ausnahme Q = Zoll)

Typen Nr.	L								P								W	X	Y
	1F	2F	3F	4F	5F	6F	7F	8F	1F	2F	3F	4F	5F	6F	7F	8F			
5520.02-18–5520.08-18	38,0	57,0	76,0	95,0	114,0	133,0	152,0	171,0	28,0	47,0	66,0	85,0	104,0	123,0	142,0	161,0	79,0	22,0	27,0
5520.02-14–5520.08-14	46,0	69,0	92,0	115,0	138,0	161,0	184,0	207,0	34,0	57,0	80,0	103,0	126,0	149,0	172,0	195,0	93,0	24,0	35,0
5520.02-38–5520.08-38	54,0	82,0	110,0	138,0	166,0	194,0	222,0	250,0	42,0	70,0	98,0	126,0	154,0	182,0	210,0	238,0	99,5	28,0	40,0
5520.02-12–5520.08-12	63,0	98,0	133,0	168,0	203,0	238,0	273,0	308,0	49,0	84,0	119,0	154,0	189,0	224,0	259,0	294,0	112,5	33,0	50,0

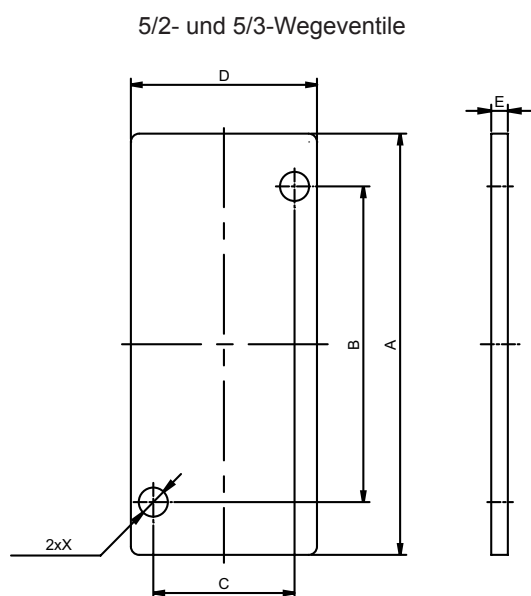
(Werte in mm)

**Für Ventile der Serien 516 (pneumatisch) und 517 (elektropneumatisch)**

5510.02-18–5510.38-A, 5520.02-18–5520.12-A

**Abdeckplatte für Grundplatte**


Typen Nr.	A	B	C	D	X	E
5510.18-A	32,0	19,0	13,0	18,0	3,2	2,0
5510.14-A	40,0	30,0	17,0	22,0	3,2	2,0
5510.38-A	47,0	35,0	20,0	27,0	4,3	2,0



Typen Nr.	A	B	C	D	X	E
5520.18-A	43,2	30,0	13,0	18,3	3,5	2,0
5520.14-A	50,7	38,0	17,0	22,4	3,5	2,0
5520.38-A	64,8	50,0	20,0	27,3	4,5	2,0
5520.12-A	94,5	72,0	27,0	34,3	4,5	3,0

## Ventilplattendichtungen für Mehrfach-Grundplatten der Ventile Serie 516 (pneumatisch) und 517 (elektropneumatisch)

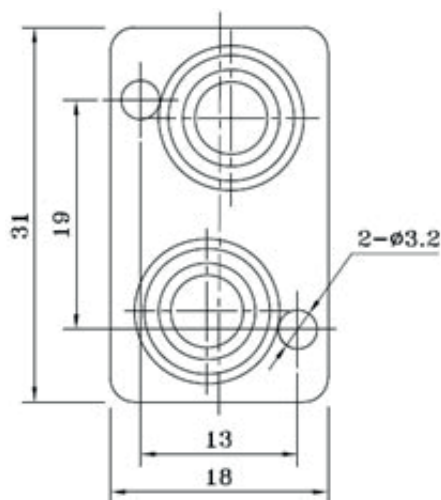
Artikel Nr. 118571 - 118577

**Ventilplattendichtungen, bestehend aus 1 x Dichtung und 2 x Schrauben zur Montage**

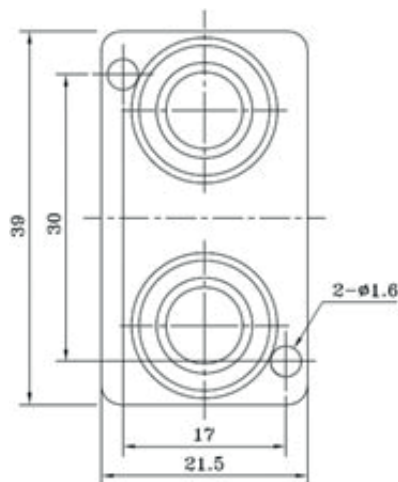

Artikel Nr.	Typen Nr.	für Ventil	für Ventil Anschluss	Baugröße
118571	VPD5510.100-D	3/2-Wege Serie 3A, 3V	M5, G 1/8	100
118572	VPD5510.200-D		G 1/8, G 1/4	200
118573	VPD5510.300-D		G 1/4, G 3/8	300
118574	VPD5520.100-D	5/2- und 5/3-Wege Serie 4A, 4V	M5, G 1/8	100
118575	VPD5520.200-D		G 1/8, G 1/4	200
118576	VPD5520.300-D		G 1/4, G 3/8	300
118577	VPD5520.400-D		G 1/2	400

**Abmessungen in mm**

Artikel Nr. 118571

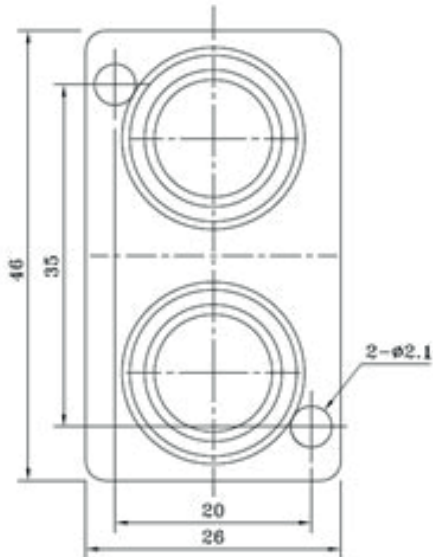


Artikel Nr. 118572

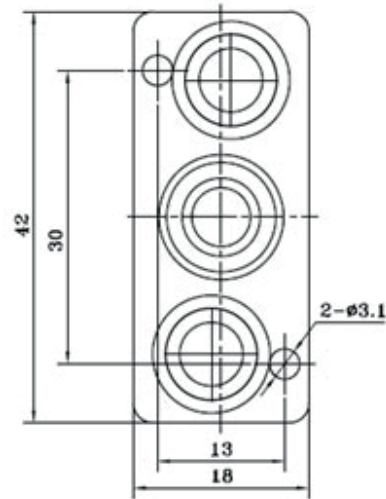


Abmessungen in mm

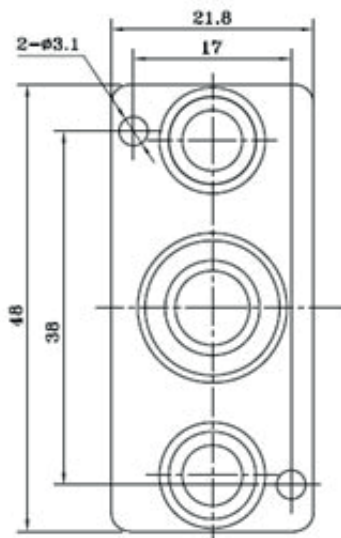
Artikel Nr. 118573



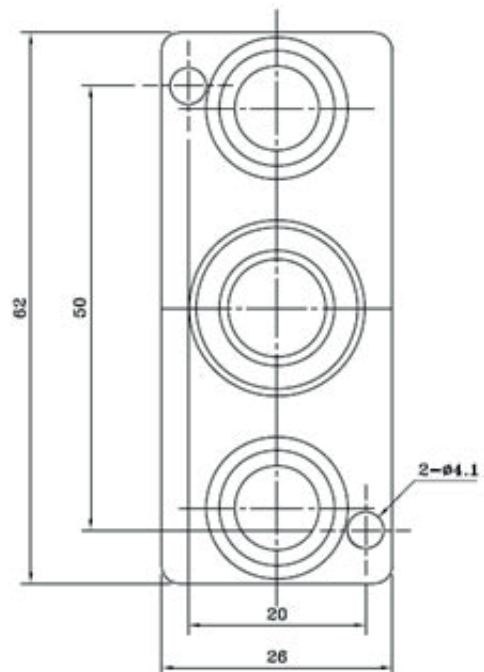
Artikel Nr. 118574



Artikel Nr. 118575

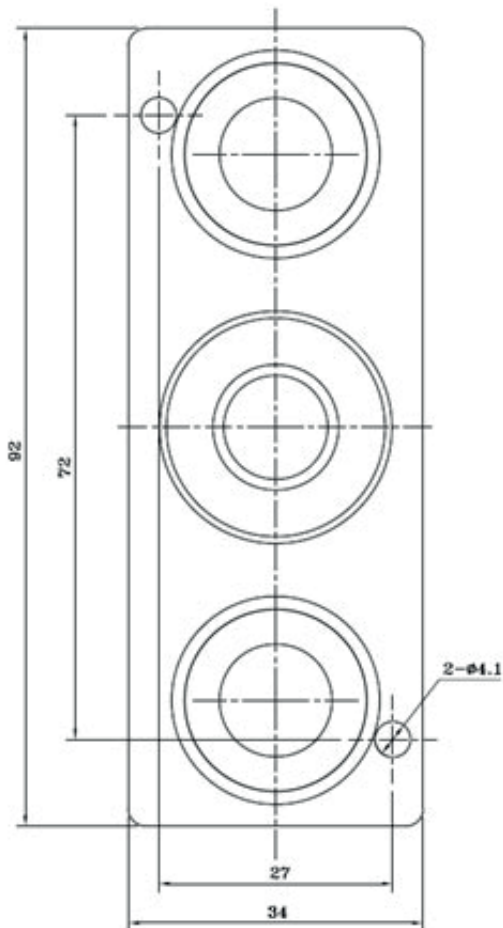


Artikel Nr. 118576



Abmessungen in mm

Artikel Nr. 118577



**Bestellinformationen**

Typen Nr.	Artikel Nr.
5510.02-18	116220
5510.03-18	116223
5510.04-18	116226
5510.05-18	116229
5510.06-18	116232
5510.07-18	116235
5510.08-18	116238
5510.18-A	116241
5510.02-14	116219
5510.03-14	116222
5510.04-14	116225
5510.05-14	116228
5510.06-14	116231
5510.07-14	116234
5510.08-14	116237
5510.14-A	116240
5510.02-38	116221
5510.03-38	116224
5510.04-38	116227
5510.05-38	116230
5510.06-38	116233
5510.07-38	116236
5510.08-38	116239
5510.38-A	116242

**Bestellinformationen**

Typen Nr.	Artikel Nr.
5520.02-18	116245
5520.03-18	116249
5520.04-18	116253
5520.05-18	116257
5520.06-18	116261
5520.07-18	116265
5520.08-18	116269
5520.18-A	116273
5520.02-14	116244
5520.03-14	116248
5520.04-14	116252
5520.05-14	116256
5520.06-14	116260
5520.07-14	116264
5520.08-14	116268
5520.14-A	116272
5520.02-38	116246
5520.03-38	116250
5520.04-38	116254
5520.05-38	116258
5520.06-38	116262
5520.07-38	116266
5520.08-38	116270
5520.38-A	116274
5520.02-12	116243
5520.03-12	116247
5520.04-12	116251
5520.05-12	116255
5520.06-12	116259
5520.07-12	116263
5520.08-12	116267
5520.12-A	116271