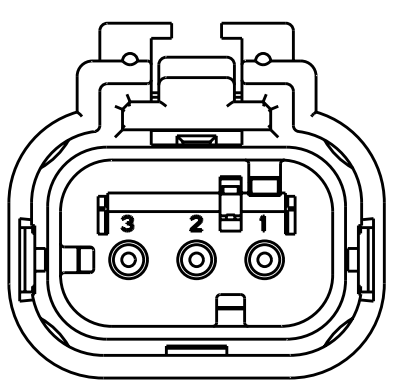
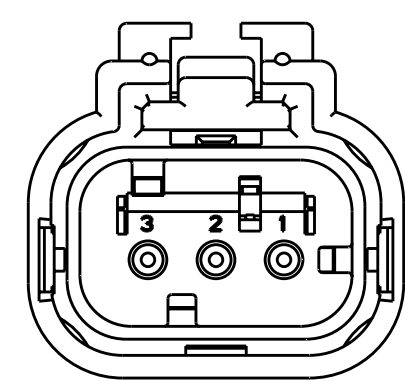


THIS DRAWING IS UNPUBLISHED. RELEASED FOR PUBLICATION 20  
 © COPYRIGHT 20 BY - ALL RIGHTS RESERVED.

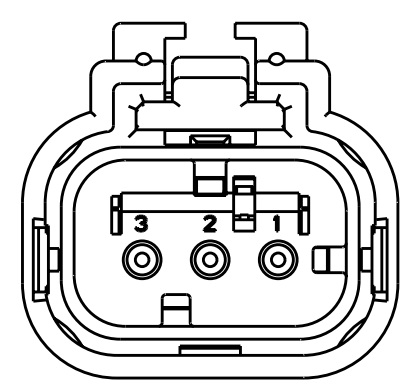
LOC	DIST	REVISIONS					
GE	00	P	LTR	DESCRIPTION	DATE	DWN	APVD
			D2	REVISED PER ECO-11-005030	12MAR2011	RK	HMR



776523-2  
SCALE 2:1  
KEY B

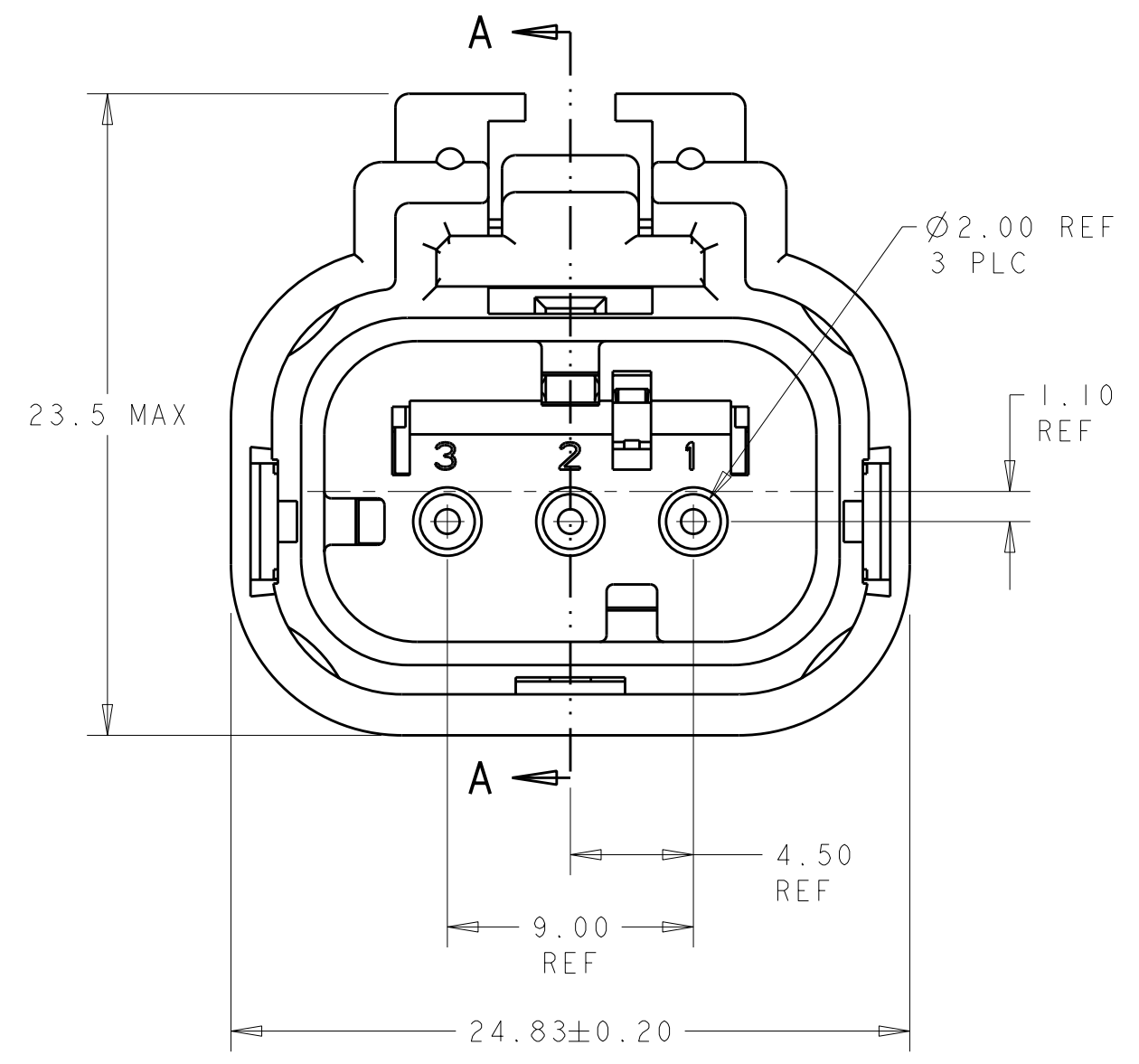


776523-3  
SCALE 2:1  
KEY C

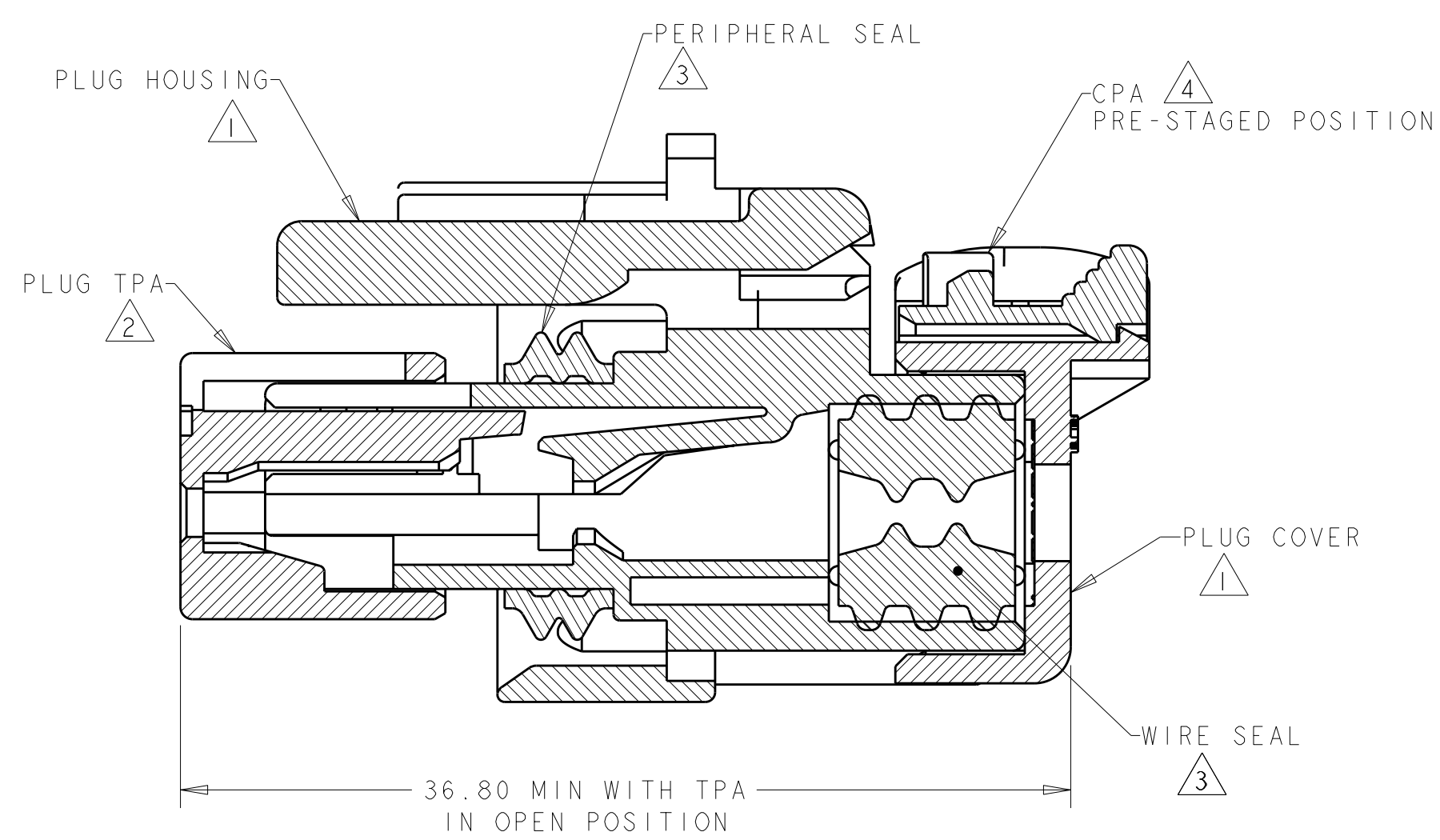


776523-4  
SCALE 2:1  
KEY D

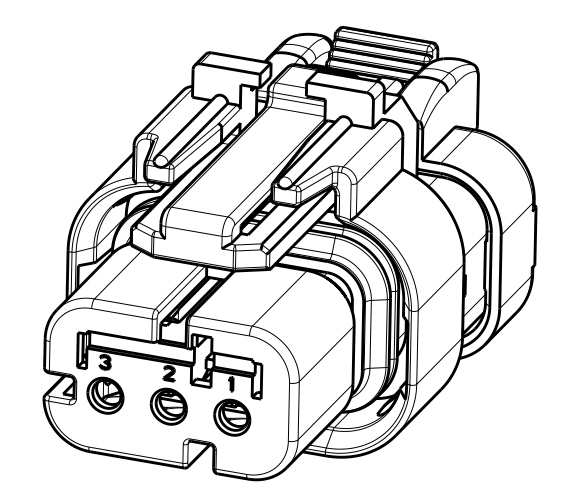
- 1 MATERIAL: 15% GLASS FILLED THERMOPLASTIC  
COLOR: BLACK
  - 2 MATERIAL: 15% GLASS FILLED THERMOPLASTIC  
COLOR: (SEE TABLE)
  - 3 MATERIAL: SILICONE  
COLOR: ORANGE
  - 4 MATERIAL: 15% GLASS FILLED THERMOPLASTIC  
COLOR: RED
5. RECOMMENDED WIRE DIAMETER RANGE IS 1.30 TO 2.54mm.



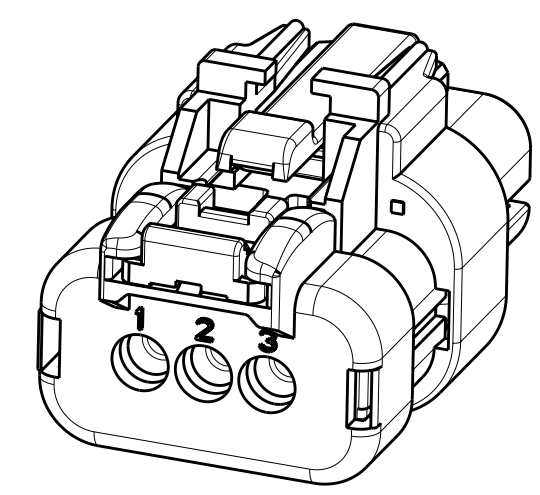
776523-1 SHOWN  
KEY A



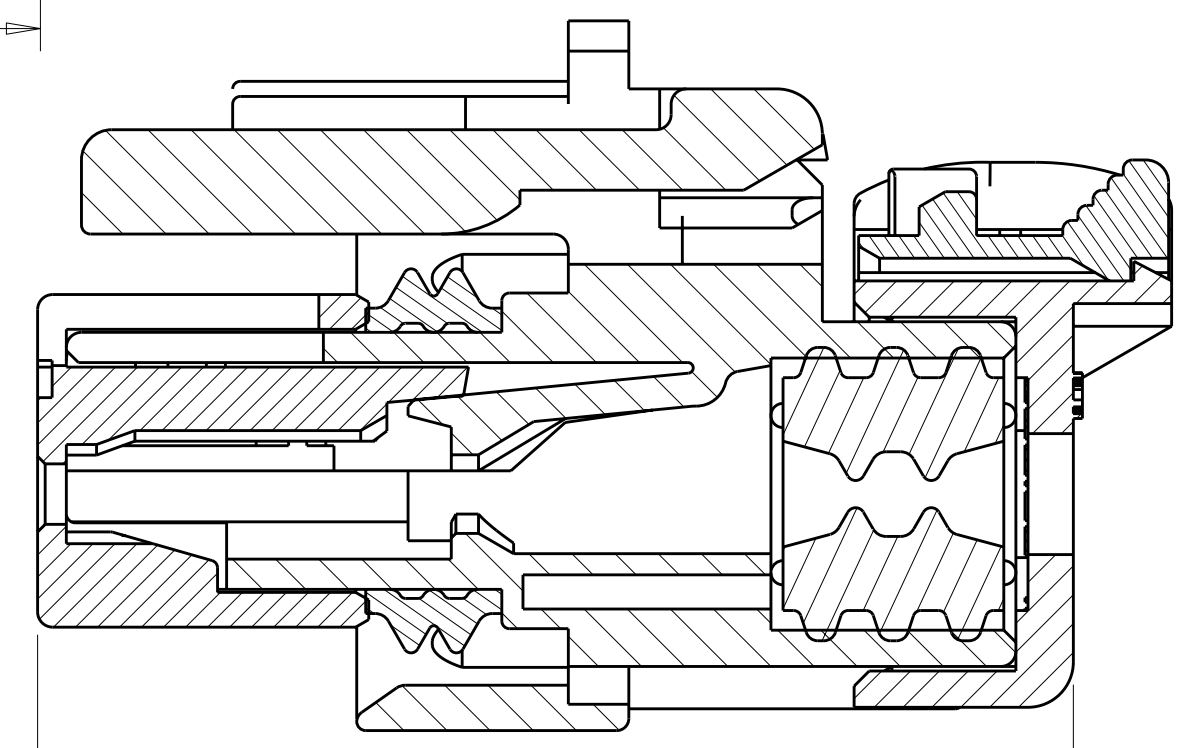
SECTION A-A



SCALE 2:1



SCALE 2:1



SECTION A-A

D	GREEN	776523-4
C	YELLOW	776523-3
B	GRAY	776523-2
A	RED	776523-1
KEY	TPA COLOR	PART NUMBER

THIS DRAWING IS A CONTROLLED DOCUMENT.

DIMENSIONS:	TOLERANCES UNLESS OTHERWISE SPECIFIED:	DWN	22FEB00
mm	0 PLC ±	CHK	AJ GRAFF
	1 PLC ±	APVD	R. GREINER
	2 PLC ±	APVD	M. TRULLI
	3 PLC ±	PRODUCT SPEC	108-2184
	4 PLC ±	APPLICATION SPEC	114-13065
	ANGLES ±	WEIGHT	10±1g
	FINISH	CUSTOMER DRAWING	

STE TE Connectivity

NAME: PLUG ASSEMBLY, 3 POSITION, SINGLE ROW, REDUCED DIA WIRE SEAL, AMPSEAL 16

SIZE: A2 CAGE CODE: 20779 DRAWING NO: 776523 RESTRICTED TO: -

SCALE: 4:1 SHEET: 1 OF 1 REV: D2