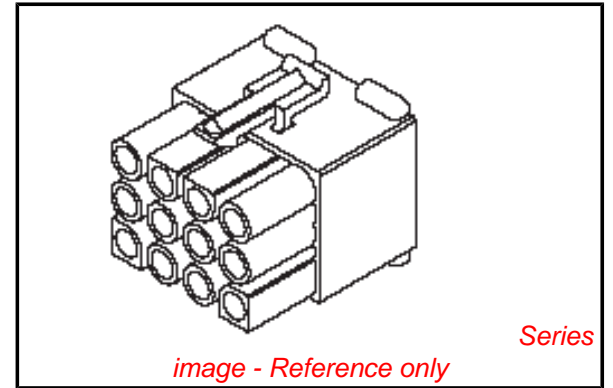


**PLEASE CHECK WWW.MOLEX.COM FOR LATEST PART INFORMATION**

**Part Number:** [39-03-6064](#)  
**Status:** **Active**  
**Overview:** Standard .093" Pin and Socket Connectors  
**Description:** 2.36mm Diameter Standard .093" Pin and Socket Receptacle Housing with Positive Latch, UL 94V-2, without Panel Mount, 6 Circuits

**Documents:**

<a href="#">3D Model</a>	<a href="#">Product Specification PS-3191-003 (PDF)</a>
<a href="#">Drawing (PDF)</a>	<a href="#">Packaging Specification SPK-3191-001 (PDF)</a>
<a href="#">Product Specification PS-3191-001 (PDF)</a>	<a href="#">RoHS Certificate of Compliance (PDF)</a>



**Agency Certification**

CSA	LR19980
UL	E29179

**General**

Product Family	Crimp Housings
Series	<a href="#">3191</a>
Application	Power, Wire-to-Board, Wire-to-Wire
Comments	Polarized to Mating Part
Overview	<a href="#">Standard .093" Pin and Socket Connectors</a>
Product Name	Standard .093"
UPC	800753756823

**Physical**

Breakaway	No
Circuits (maximum)	6
Circuits Detail	2x3
Color - Resin	Natural
Flammability	94V-2
Gender	Receptacle
Glow-Wire Compliant	No
Keying to Mating Part	None
Lock to Mating Part	Yes
Material - Resin	Nylon
Net Weight	5001.000/mg
Number of Rows	2
Packaging Type	Bag
Panel Mount	No
Pitch - Mating Interface	6.70mm
Polarized to Mating Part	Yes
Stackable	No
Temperature Range - Operating	-40°C to +105°C

**Electrical**

Current - Maximum per Contact	9A
-------------------------------	----

**Material Info**

Old Part Number	3191-06R1
-----------------	-----------

**Reference - Drawing Numbers**

Packaging Specification	SPK-3191-001
Product Specification	PS-3191-001, PS-3191-003, RPS-3191-001, RPS-3191-002
Sales Drawing	SD-3191-017

<b>EU RoHS</b> <b>ELV and RoHS</b> <b>Compliant</b> <b>REACH SVHC</b> <b>Contains SVHC: No</b> <b>Low-Halogen Status</b> <b>Low-Halogen</b>	<b>China RoHS</b> 
---	-----------------------

**Need more information on product environmental compliance?**

Email [productcompliance@molex.com](mailto:productcompliance@molex.com)  
 For a multiple part number RoHS Certificate of Compliance, [click here](#)

Please visit the [Contact Us](#) section for any non-product compliance questions.

**Search Parts in this Series**

[3191Series](#)

**Mates With**

[39-03-6060](#) , [39-03-6062](#) , [5219](#)

**Use With**

[1189](#) Crimp Terminals, [1190](#) Crimp Terminals, [1380](#) Male Crimp Terminals, [1381](#) Female Crimp Terminals, [1433](#) Crimp Terminals, [1434](#) Male Crimp Terminals, [2605](#) , [2606](#) , [1973](#) , [2151](#) , [2273](#) , [2870](#) , [2871](#) , [4272](#)

This document was generated on 08/19/2014

**PLEASE CHECK [WWW.MOLEX.COM](http://WWW.MOLEX.COM) FOR LATEST PART INFORMATION**