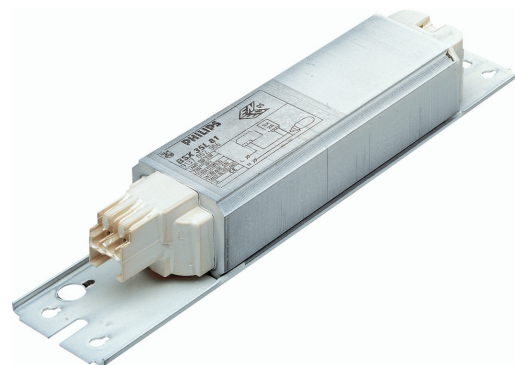


PHILIPS

Lighting



HID-Basic BSX for SOX

BSX 35/55 L82 240V 50Hz BC0-196

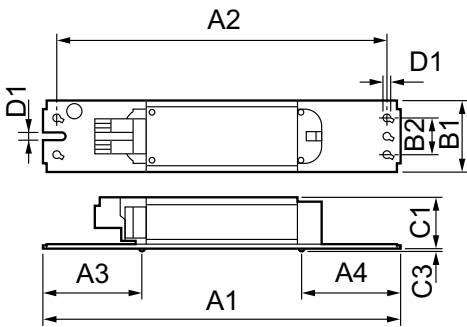
Impregnated electromagnetic copper/iron ballasts for use with an external ignitor for SOX and SOX-E lamps

Product data

General Information		Recommended ignitor	
Application code	L82	ignitor SX72 (913654059066)	
Design	BC0-196	Temperature	
Lamp type	SOX	T storage (max.)	80 °C
Number of lamps	1 piece/unit	T storage (min.)	-25 °C
		T winding (max.)	130 °C
Operating and Electrical		Delta-T normal conditions	65 °C
Input voltage	240 V	Approval and Application	
Input frequency	50 Hz	Approval marks	CE marking ENEC certificate
Mains voltage performance (AC)	-8%+6%	Product Data	
Mains voltage safety (AC)	-10%+10%	Full product code	871150092053930
Input current with PF correction	0.22 A	Order product name	BSX 35/55 L82 240V 50Hz BC0-196
Input current without PF Correction	0.60 A	EAN/UPC – product	8711500920539
Power factor without PF compensation (nom.)	0.35	Order code	92053930
Power losses (nom.)	12.0 W	Local Code	BSX3555L82
Wiring		Numerator – quantity per pack	1
Wire strip length	7.0 mm	Numerator – packs per outer box	24
Ballast contact wire cross section	0.70-1.50 mm ²	Material no. (12NC)	913700200926
Connector type	Insert	Net weight (piece)	0.925 kg
System characteristics			
Capacitor	5.7µF/450V		
Rated ballast-lamp power	35/55		

HID-Basic BSX for SOX

Dimensional drawing



BSX 35/55 L82 240V 50Hz BC0-196

Product	D1	C1	C3	A1	A2	A3	A4	B1	B2
BSX 35/55 L82 240V 50Hz BC0-196	4.2	28.0	1.5	196.0	180.0	54.0	54.0	39.0	20.0

