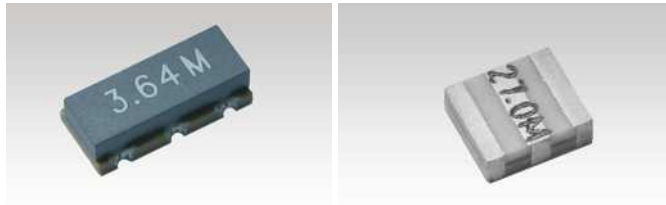


Resonator SMD Ceramic, 3 Pin

Features:

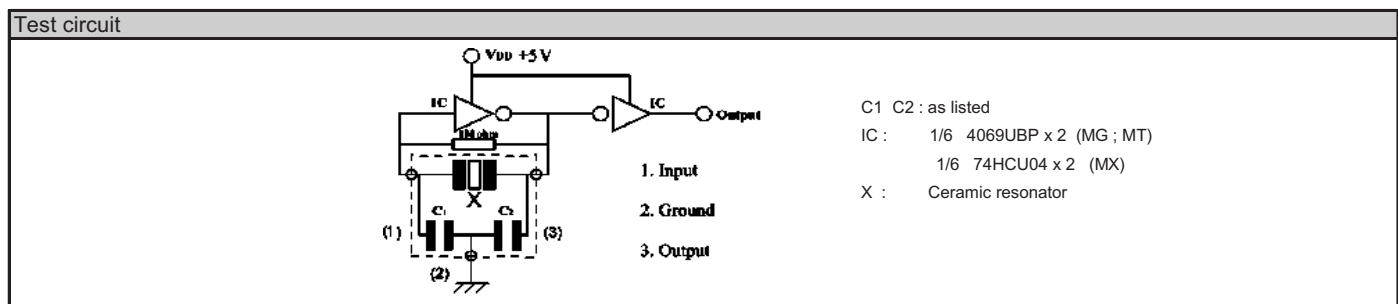
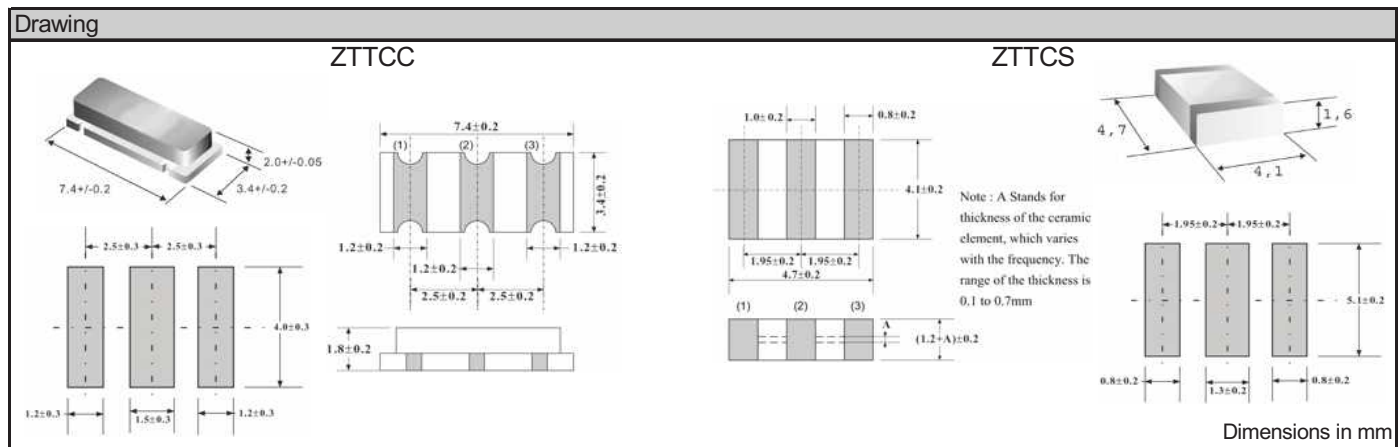


- Built-in capacitor
- Low cost
- Consumer electronics
- Microprocessor systems
- Excellent for automotive applications



ZTTCC/MG
ZTTCS/MT
ZTTCS/MX

Specifications									
Part	ZTTCC/MG				ZTTCS/MT	ZTTCS/MX			
Frequency range (MHz)	1.84 ~ 2.40	2.41 ~ 2.99	3.00 ~ 3.49	3.50 ~ 8.00	8.0 ~ 13.0	13.01 ~ 16.0	16.01 ~ 40.00	40.01 ~ 50.00	
Frequency accuracy (25°C)	+/-0.5%				+/-0.5%	+/-0.5%			
Temp. stability (-20°C ~ +80°C)	+/-0.3%				+/-0.4%	+/-0.3%			
Aging (over 10 years)	+/-0.3%				+/-0.3%	+/-0.3%			
Build-in load capacitance (pf)	C1	33 ±20%	22 ±20%	22 ±20%	22 ±20%	22 ±20%	22 ±20%	15 ±20%	5 ±20%
	C2	33 ±20%	22 ±20%	22 ±20%	22 ±20%	22 ±20%	22 ±20%	15 ±20%	5 ±20%
Resonant impedance (Ω) max.	100	100	50	30	25	40	40	40	40



Order key

R	- 8.000000M	- ZTTCC/MG	- 0.5	- 0.3	- H	- 22/22
Part	Frequency	Type/Package	Frequency tolerance	Temperature tolerance	Temperature range	Internal load capacitance
R=Resonator	M=MHz	ZTTCC/MG ZTTCS/MT ZTTCS/MX	+/-% (25°C)	+/-% (Temp. range)	H=-20°C ~ +80°C	pF C1/C2