

172333-1 ✓ ACTIVE

MATE-N-LOK | Mini-Universal MATE-N-LOK

TE Internal #: 172333-1

Mini-Universal MATE-N-LOK, Rectangular Power Connectors,
Housing, Receptacle, Wire-to-Panel / Wire-to-Wire, 12 Position, 4.2
mm [.165in] Centerline

[View on TE.com >](#)



Connectors > Power Connectors > Rectangular Power > Rectangular Power Connectors



Rectangular Power Connector Type: **Housing**

Connector & Housing Type: **Receptacle**

Connector System: **Wire-to-Panel, Wire-to-Wire**

Number of Positions: **12**

Centerline (Pitch): **4.2 mm [.165 in]**

Features

Product Type Features

Rectangular Power Connector Type	Housing
Connector & Housing Type	Receptacle
Connector System	Wire-to-Panel, Wire-to-Wire
Sealable	No
Connector & Contact Terminates To	Wire & Cable

Configuration Features

Number of Positions	12
Number of Rows	3

Electrical Characteristics

Operating Voltage	600 VDC
-------------------	---------

Contact Features

Contact Layout	Matrix
Multiple Contact Types	Without
Contact Retention Within Housing	Without



Contact Type	Socket
--------------	--------

Termination Features

Termination Method to Wire & Cable	Crimp
------------------------------------	-------

Mechanical Attachment

Panel Mount Feature	With
---------------------	------

Panel Mount Feature Type	Mounting Ears
--------------------------	---------------

Connector Mounting Type	Panel Mount
-------------------------	-------------

Housing Features

Centerline (Pitch)	4.2 mm [.165 in]
--------------------	------------------

Housing Color	Natural
---------------	---------

Housing Material	Nylon 6/6
------------------	-----------

Dimensions

Row-to-Row Spacing	4.2 mm [.165 in]
--------------------	------------------

Panel Thickness	.8 – 2 mm [.8 – 2 in]
-----------------	-----------------------

Usage Conditions

Operating Temperature Range	-20 – 105 °C [-4 – 221 °F]
-----------------------------	----------------------------

Insertion Force	9 kg
-----------------	------

Operation/Application

Assembly Integration Feature	Without
------------------------------	---------

Circuit Application	Power & Signal
---------------------	----------------

Industry Standards

CSA Rating	Certified
------------	-----------

UL Flammability Rating	UL 94V-2
------------------------	----------

Glow Wire Rating	Standard Part - Not Glow Wire
------------------	-------------------------------

Agency/Standard Number	E28476
------------------------	--------

Agency/Standard	CSA, UL
-----------------	---------

UL Rating	Recognized
-----------	------------

CSA File Number	LR7189
-----------------	--------

VDE Tested	No
------------	----

Packaging Features

Packaging Method	Bag
------------------	-----

Packaging Quantity

500

Other

For Use With

Plug Housing

Product Compliance

For compliance documentation, visit the product page on [TE.com](https://www.te.com)>

EU RoHS Directive 2011/65/EU

Compliant

EU ELV Directive 2000/53/EC

Compliant

China RoHS 2 Directive MIIT Order No 32, 2016

No Restricted Materials Above Threshold

EU REACH Regulation (EC) No. 1907/2006

Current ECHA Candidate List: JAN 2021 (211)
Candidate List Declared Against: JAN 2021 (211)
Does not contain REACH SVHC

Halogen Content

Low Halogen - Br, Cl, F, I < 900 ppm per homogenous material. Also BFR/CFR/PVC Free

Solder Process Capability

Not applicable for solder process capability

Product Compliance Disclaimer

This information is provided based on reasonable inquiry of our suppliers and represents our current actual knowledge based on the information they provided. This information is subject to change. The part numbers that TE has identified as EU RoHS compliant have a maximum concentration of 0.1% by weight in homogenous materials for lead, hexavalent chromium, mercury, PBB, PBDE, DBP, BBP, DEHP, DIBP, and 0.01% for cadmium, or qualify for an exemption to these limits as defined in the Annexes of Directive 2011/65/EU (RoHS2). Finished electrical and electronic equipment products will be CE marked as required by Directive 2011/65/EU. Components may not be CE marked. Additionally, the part numbers that TE has identified as EU ELV compliant have a maximum concentration of 0.1% by weight in homogenous materials for lead, hexavalent chromium, and mercury, and 0.01% for cadmium, or qualify for an exemption to these limits as defined in the Annexes of Directive 2000/53/EC (ELV). Regarding the REACH Regulation, the information TE provides on SVHC in articles for this part number is based on the latest European Chemicals Agency (ECHA) 'Guidance on requirements for substances in articles' posted at this URL: <https://echa.europa.eu/guidance-documents/guidance-on-reach>

Compatible Parts






TE Part # 1-794059-0
MINI UMNL PIN L/P LF



TE Part # 770988-1
MINI UMNL SOK 22-18AWG SN LP



TE Part # 794058-1
MINI UMNL SOK L/P



TE Part # 170365-3
MINI UNIVERSAL M-N-L SOCKET LP



TE Part # 170364-3
MINI UNIVERSAL M-N-L PIN LP



TE Part # 770985-1
MINI UMNL PIN 26-22AWG SN LP



TE Part # 1-794407-1
MINI UMNL SOK 20-16 AWG AU LF



TE Part # 170363-3
MINI UNIVERSAL M-N-L PIN LP



TE Part # 171638-1
MINI U-M-N-L PIN CONT. L.P



TE Part # 171639-1
MINI U-M-N-L SOCKET L.P



TE Part # 770903-3
MINI UMNL PIN 22-18 AWG AU



TE Part # 170366-3
MINI UNIVERSAL M-N-L SOCKET LP



TE Part # 794059-1
MINI UMNL PIN L/P



TE Part # 172341-1
MINI UMNL PLUG HOUSING 12P




TE Part # 170364-1
MINI UNIVERSAL M-N-L PIN LP




TE Part # 1-770902-1
MINI UMNL SOK 26-22 AWG AU LF


Also in the Series | Mini-Universal MATE-N-LOK



Connector Contacts(11)



Insertion & Extraction Tools(1)



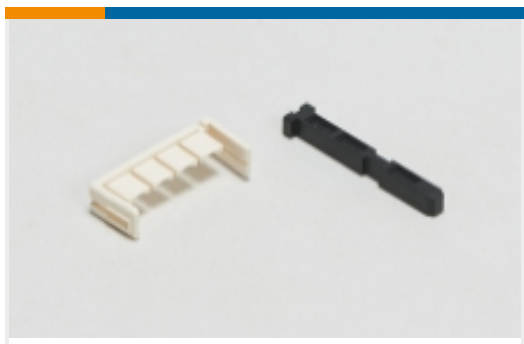
Power Contacts(85)



Rectangular Backshells & Clamps(2)



Rectangular Boots & Strain Relief(2)



Rectangular Connector Keying Plugs(2)



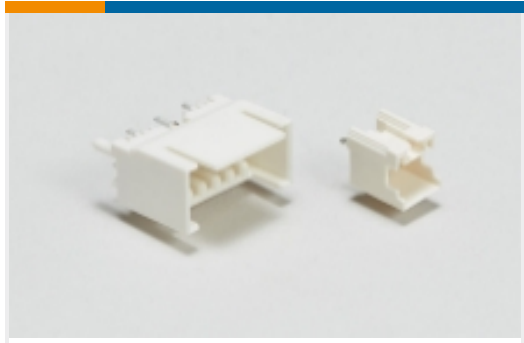
Rectangular Connector Locking(1)



Rectangular Connector Seals(18)



Rectangular Power Connectors(285)



Wire-to-Board Headers & Receptacles (1)

Customers Also Bought



TE Part #1-640250-6
3.96mm Wire-to-board housing: receptacle, with mating alignment, SL 156



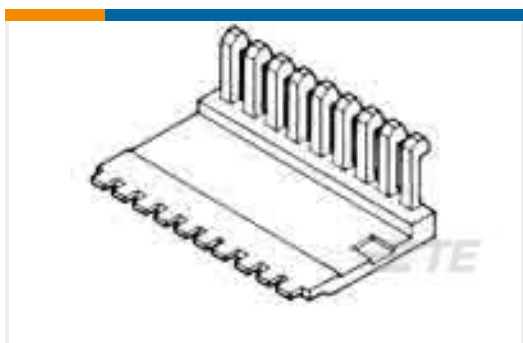
TE Part #170364-1
MINI UNIVERSAL M-N-L PIN LP



TE Part #170262-2
EIS CONTACT



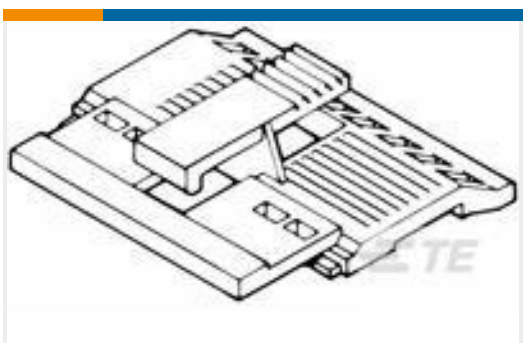
TE Part #170360-1
UNIV M-N-L PIN 22-18 AWG



TE Part #102536-7
18 AMPMODU MT COVER DR .100CL



TE Part #1-917484-3
DYNAMIC 3000 CONTACT



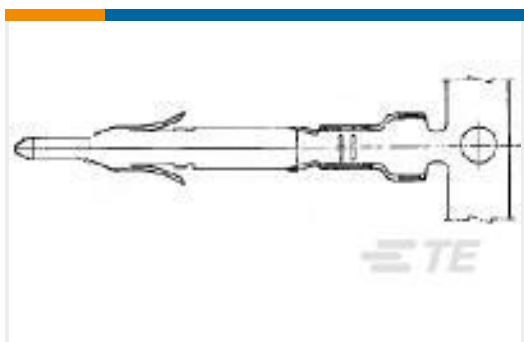
TE Part #102681-4
18 AMPMODU MT COVER DR .100CL



TE Part #6609002-5
CORCOM EAH SERIES IEC FILTERED INLETS



TE Part #1461373-3
STD OEG Miniature PCB OJT Power Relays



TE Part #170363-1
MINI UNIVERSAL M-N-L PIN LP

Documents



Product Drawings

MINI UNIVERSAL M-N-L HOUSING

English

CAD Files

3D PDF

3D

3D PDF

English

Customer View Model

[ENG_CVM_172333-1_A1.2d_dxf.zip](#)

English

Customer View Model

[ENG_CVM_172333-1_A1.3d_igs.zip](#)

English

Customer View Model

[ENG_CVM_172333-1_A1.3d_stp.zip](#)

English

Customer View Model

[ENG_CVM_CVM_172333-1_F.2d_dxf.zip](#)

English

Customer View Model

[ENG_CVM_CVM_172333-1_F.3d_igs.zip](#)

English

Customer View Model

[ENG_CVM_CVM_172333-1_F.3d_stp.zip](#)

English

By downloading the CAD file I accept and agree to the [Terms and Conditions](#) of use.

Datasheets & Catalog Pages

SOFT_SHELL_PIN_AND_SOCKET_CONNECTORS_CATALOG

English

[1-1773458-0_MINI_UNIVERSAL_MATE_N_LOK_CONNECTOR_SYSTEM_QRG](#)

English

Product Specifications

Application Specification

English

Product Environmental Compliance

TE Material Declaration

English

Instruction Sheets

Instruction Sheet (U.S.)

English



[Instruction Sheet \(U.S.\)](#)

English

[Agency Approvals](#)

[Agency Approval Document](#)

English

[Agency Approval Document](#)

English