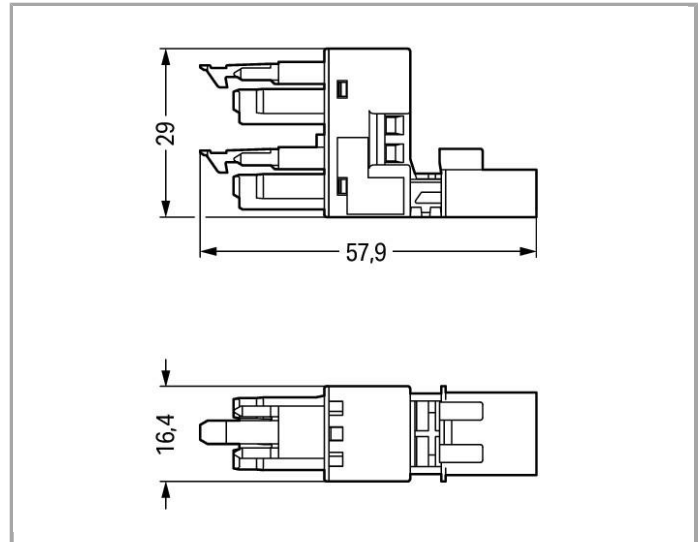
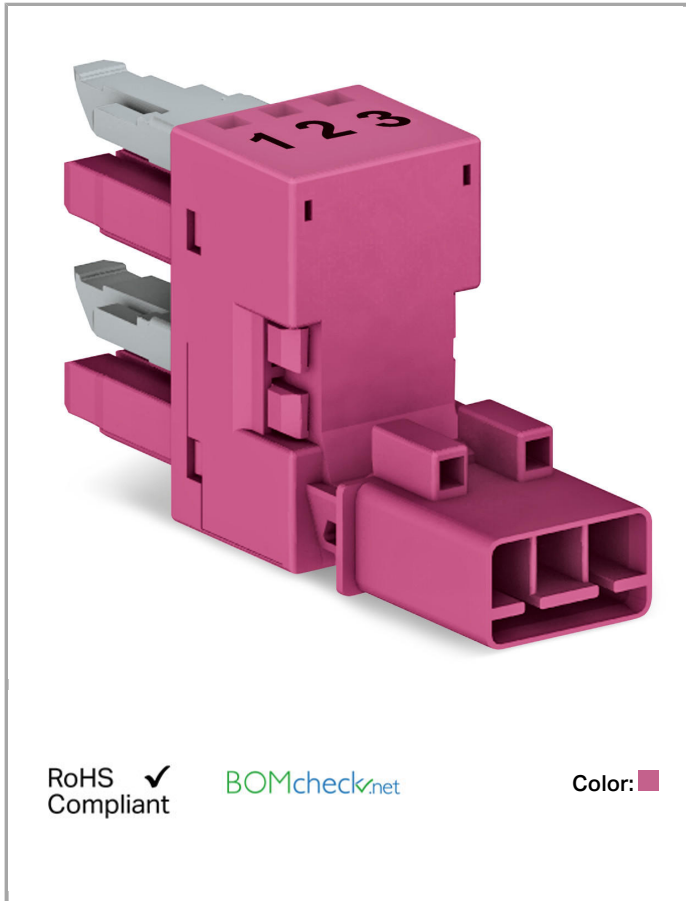


## Data sheet | Item number: 890-1663

h-distribution connector; 3-pole; Cod. B; 1 input; 2 outputs; outputs on one side; 2 locking levers

[www.wago.com/890-1663](http://www.wago.com/890-1663)



### Item description

#### Note:

All connectors for mounted installations (snap-in versions for lighting fixtures or devices, all types of PCB and distribution connectors) are factory-equipped with locking levers to ensure plugs and sockets are securely locked. Additional locking levers are only required for flying leads (plug /socket).

Other variants can be requested via the WAGO sales department or, if necessary, configured at <https://configurator.wago.com/>: Other pole markings

### Data

#### Electrical data

#### Ratings per IEC/EN 60664-1

Rated voltage (III / 3)

250 V



Rated impulse voltage (III / 3)	4 kV
Rated current	16 A
Legend (ratings)	(III / 3) $\hat{=}$ Overvoltage category III / Pollution degree 3

### Connection data

No. of poles	3
Total number of potentials	3

### Geometrical Data

Pin spacing	4.4 mm (0.173 inch)
Width	16.4 mm / 0.646 inch
Height	29 mm / 1.142 inch
Depth	57.85 mm / 2.278 inch

### Mechanical data

Coding	B
Mating force of a plug-in connection	approx. 20 ... 70 N (depending on pole number)
Retention force of a plug-in connection	when locked: > 80N
Unmating force of a plug-in connection	when unlocked: approx. 20 ... 70 N (depending on pole number)
Type of distribution connector	h-distribution connector, unidirectional
Marking	1 2 3
Degree of protection	IP20
Potential marking	1 2 3

### Plug connection

Contact type (pluggable connector)	Socket/plug
Locking of plug-in connection	locking lever
Locking lever	yes

### Material Data

Color	pink
Insulating material	Polyamide 66 (PA 66)
Flammability class per UL94	V0
Contact material	Copper or copper alloy, surface-treated
Fire load	0.239 MJ
Weight	13.443 g

### Environmental Requirements


Surrounding air (operating) temperature	-35 ... 85 °C
---	---------------

## Commercial data


Country of origin	DE
GTIN	4050821530787
Customs Tariff No.	85366990990
Product Group	20 (WINSTA)

## Approvals / Certificates

### Country specific Approvals

Logo	Approval	Certificate name
	<b>CB</b> DEKRA Certification B.V.	NL-47679
	<b>CCA</b> DEKRA Certification B.V.	2148952.04

### Ship Approvals



Logo	Approval	Certificate name
	<b>DNV GL</b> Det Norske Veritas, Germanischer Lloyd	TAE00001Z6

### UL-Approvals

Logo	Approval	Certificate name
	<b>UL</b> UL International Germany GmbH	E45171

## Compatible products

### assembling

	<b>Item no.: 890-623</b> Mounting plate; for h-distribution connectors; 3-pole	<a href="http://www.wago.com/890-623">www.wago.com/890-623</a>
	<b>Item no.: 890-673</b> Mounting plate; for h-distribution connectors; 3-pole	<a href="http://www.wago.com/890-673">www.wago.com/890-673</a>

## Downloads

### Documentation

#### Bid Text

890-1663

Sep 19, 2016

DOC

Download



23.0 kB

---

## smartDATA

### CAD data

3D Download 890-1663

URL

Download

---

Subject to changes.