

Data Sheet

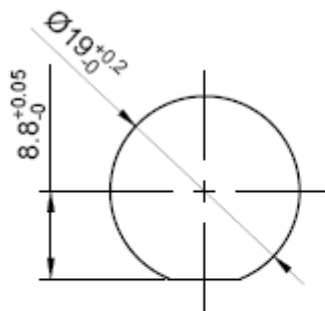
Key lock switch

Version 03/22

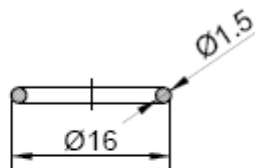
Specification

Mounting diameter	19mm
Operation type	Key switch
Contact structure	1NO1NC / 2NO2NC
Switch rating	5A/250VAC
Terminal	Soldering Pins
Body material	Stainless steel
Operating and storage temperature	-25 to +55 °C
Operating and storage humidity	45 to 85 % RH
Base material	PBT
IP rating	IP40
Mechanical lifetime	200,000 cycles
Electrical lifetime	50,000 cycles

Item No.	Contact structure	Function
701814	1NO1NC	Two positions maintain
701824	2NO2NC	Three positions maintain



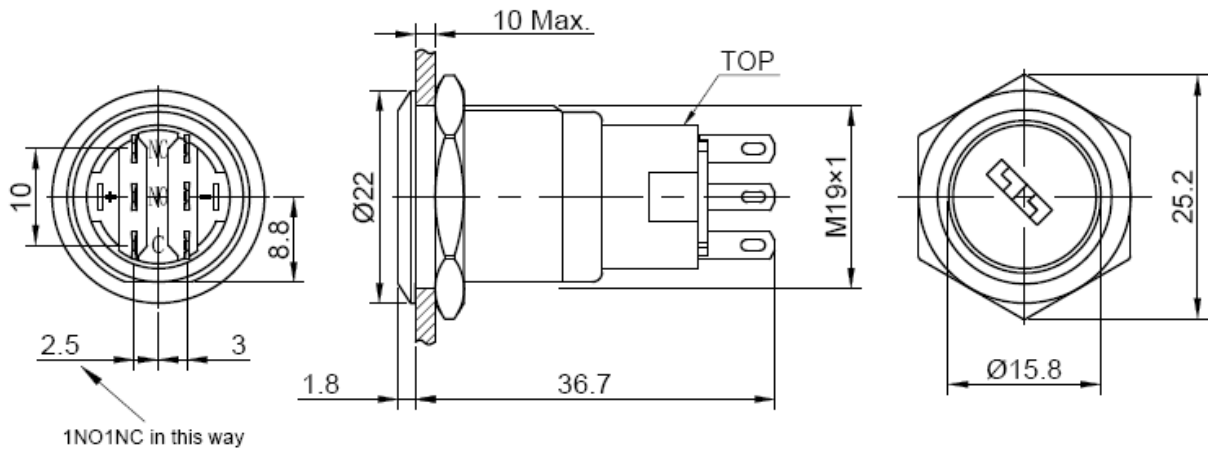
PANEL CUTOUT
MAX.PANEL THICKNESS
10 mm




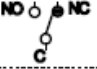
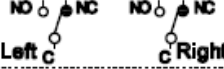

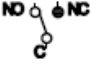
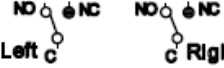
Seal Ring

Data Sheet

Drawing for Item no. 701814

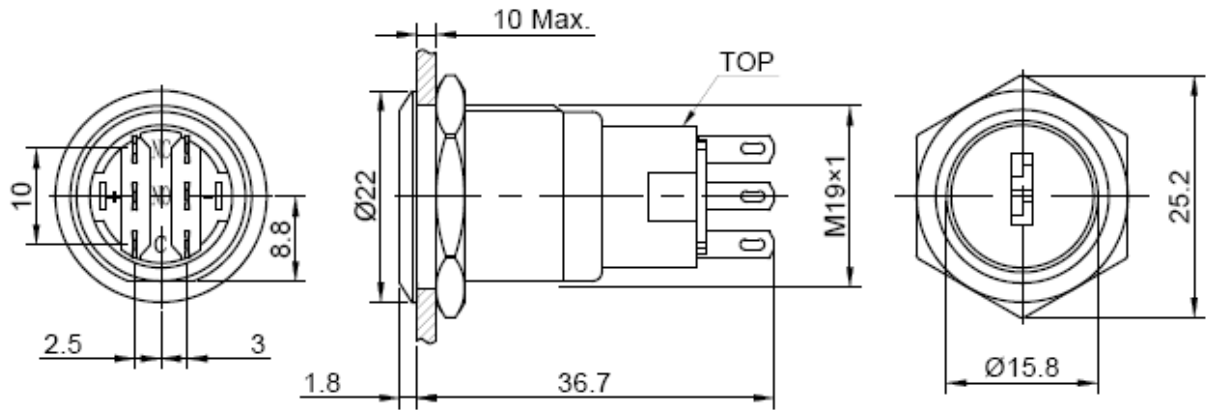


Contact Composition

Switch Type		90° Two Position			
		1NO1NC		2NO2NC	
Operation Position				Left c	Right c
				Left c	Right c

Data Sheet

Drawing for Item no. 701824



Contact Composition

