

A

B

C

D

E

F

A

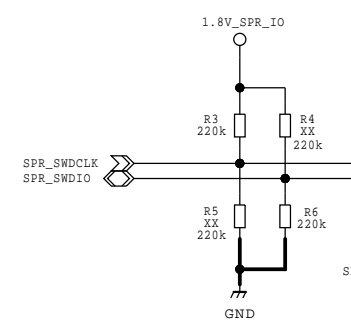
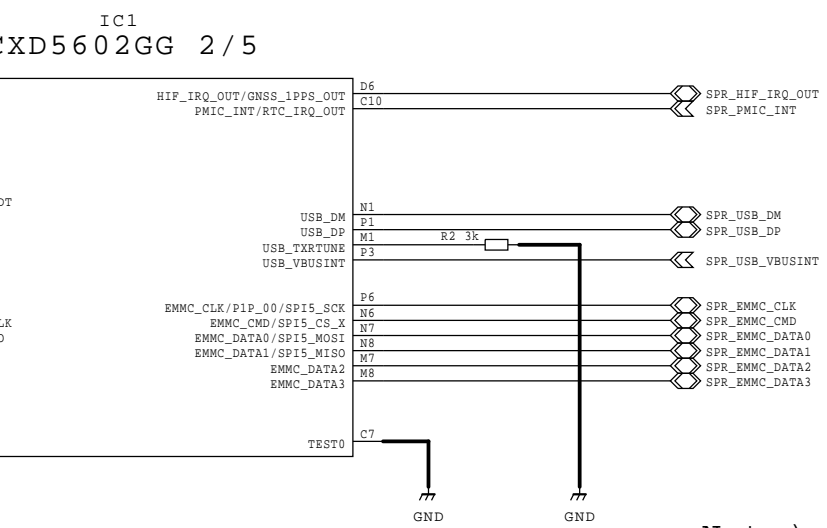
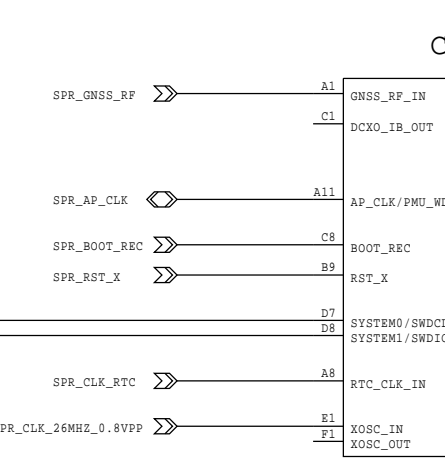
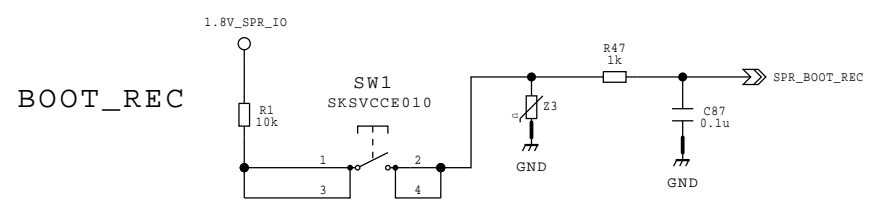
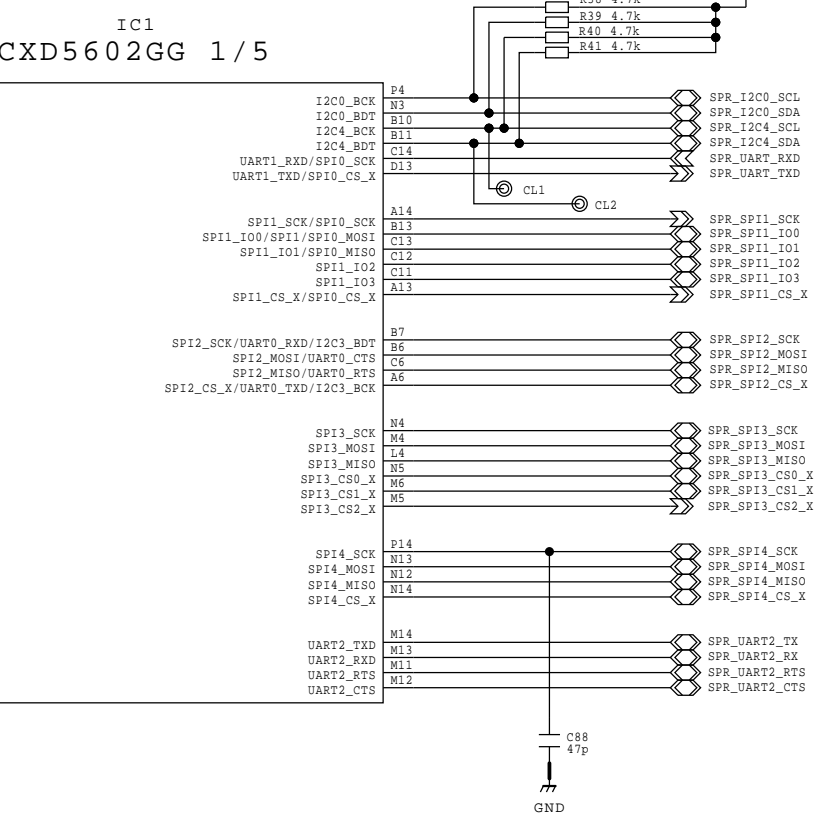
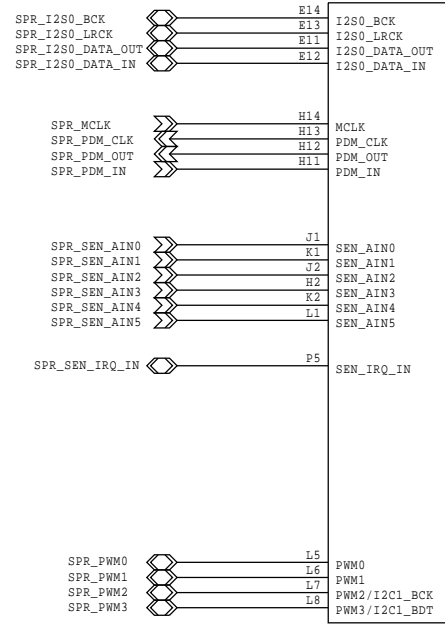
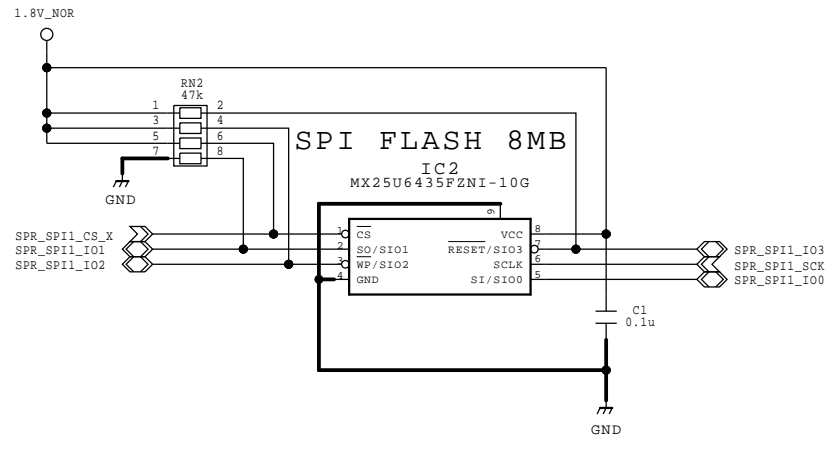
B

C

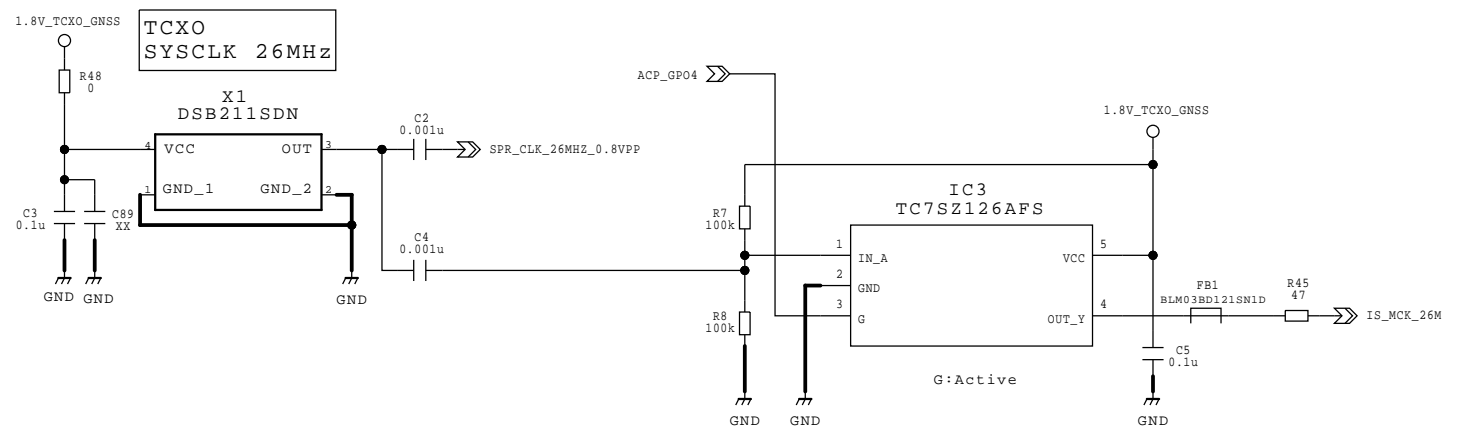
D

E

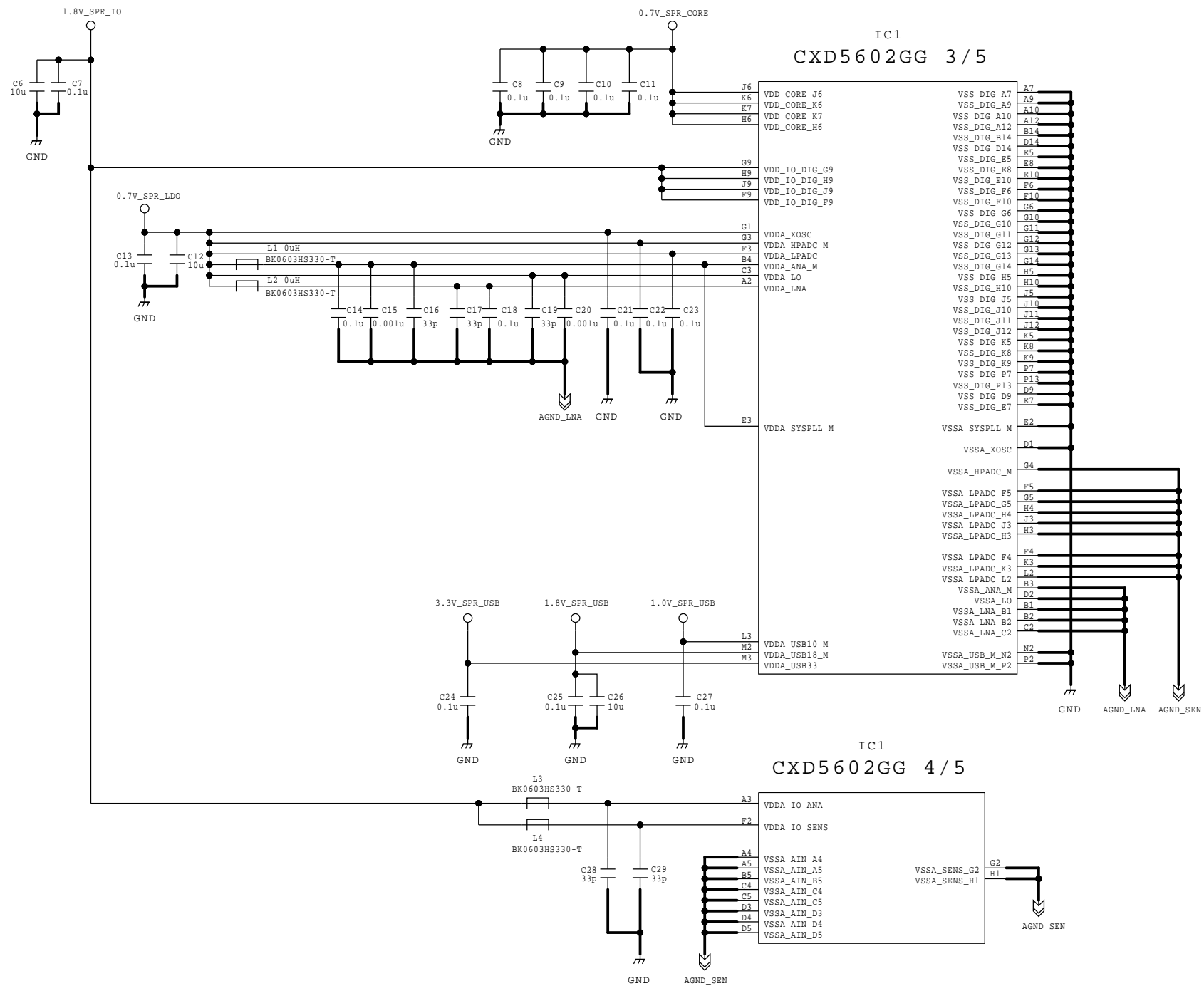
F



Note) "XX" stands for NM



△ 3 x				GENERAL TOLERANCE		DATE OF ISSUE	
△ 2 x						DOCUMENT TYPE	
△ 1 x						CIRCUIT DIAGRAM	
HISTORY X COUNT		SUFFIX /REPL.		RELEASE NO. DATE		TOLERANCING	
LEGAL OWNER				MATERIAL (COLOR)		FINISH (COLOR)	
						2018.7.10	
RESPONSIBLE DEPARTMENT			SIZE	UNIT	ORIGINAL MODEL	DESCRIPTION (E)	
			A3	mm	SPRESENSE	Main Board (CXD5602PWBMAIN1)	
PLANNED BY		CHECKED BY		APPROVED BY		DESCRIPTION (J)	
DRAWN BY		PRJ.METHOD		TENTATIVE PART NO.		PART NO.	
		⊕				SHEET/PAGES	
						1/8	

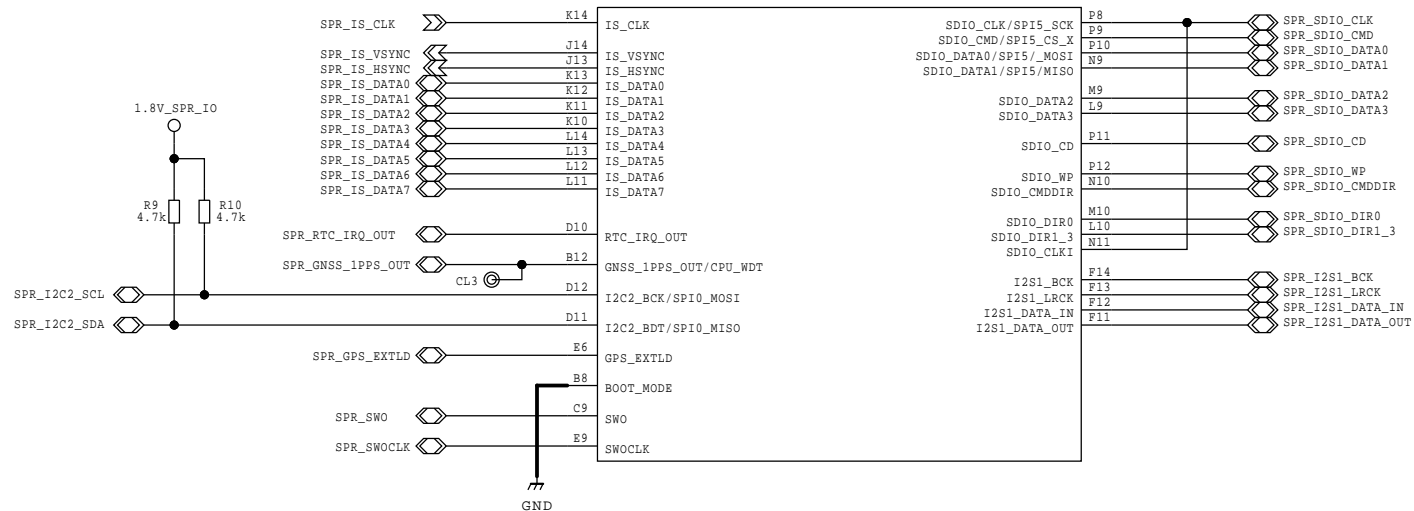


ALL resistors are in ohms,
unless otherwise noted.

ALL capacitors are in uF(p.pF)
unless otherwise noted.

ORIGINAL MODEL	SPRESENSE	
DESCRIPTION	Main Board (CXD5602PWBMAIN1)	
PART NO.	2018.7.10	SHEET
		2 / 8

IC1
CXD5602GG 5/5



ALL resistors are in ohms,
unless otherwise noted.

ALL capacitors are in uF(p.pF)
unless otherwise noted.

ORIGINAL MODEL	SPRESENSE	
DESCRIPTION	Main Board (CXD5602PWBMAIN1)	
PART NO.	2018.6.26	SHEET
		3 / 8

A

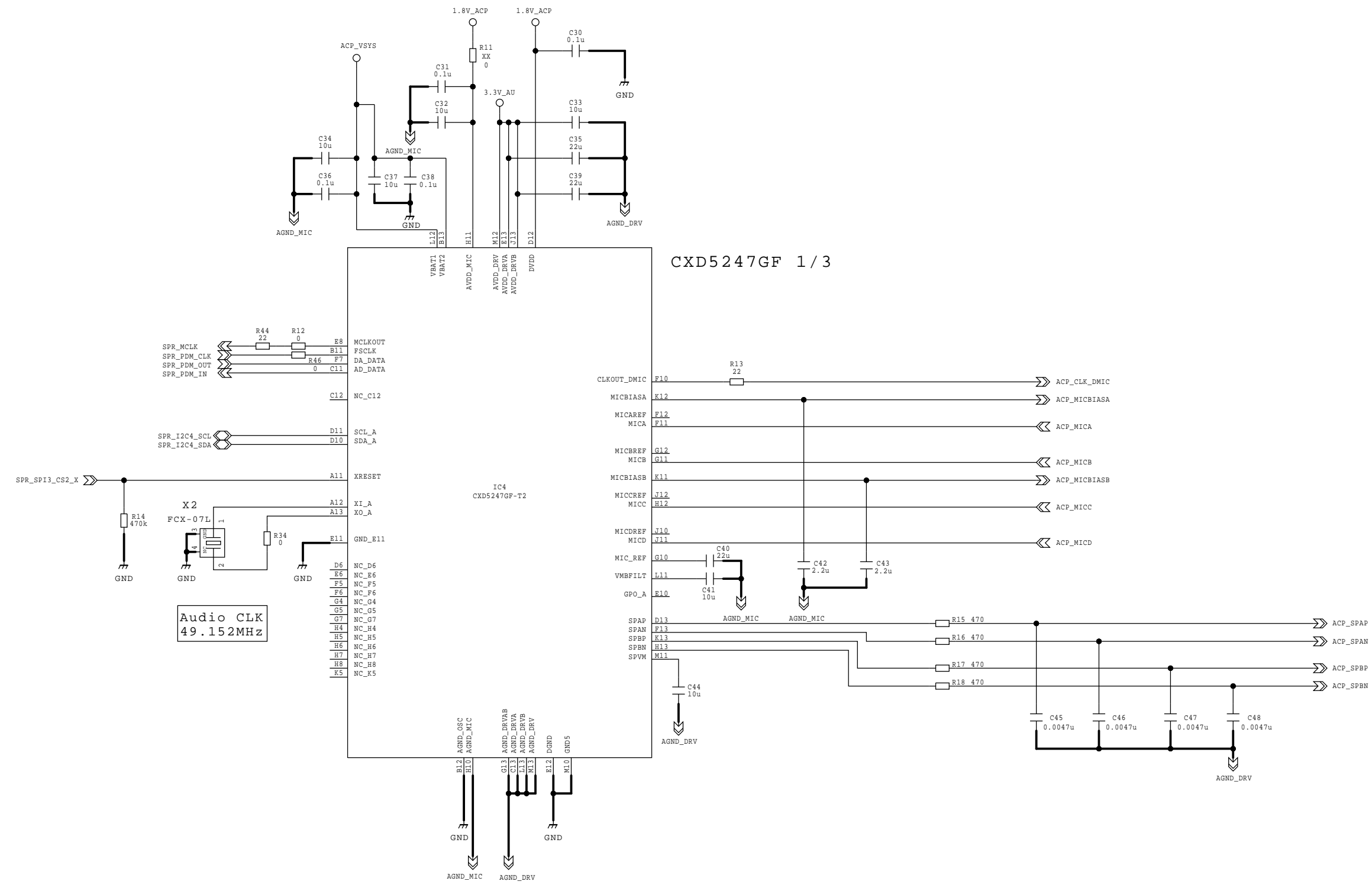
B

C

D

E

F



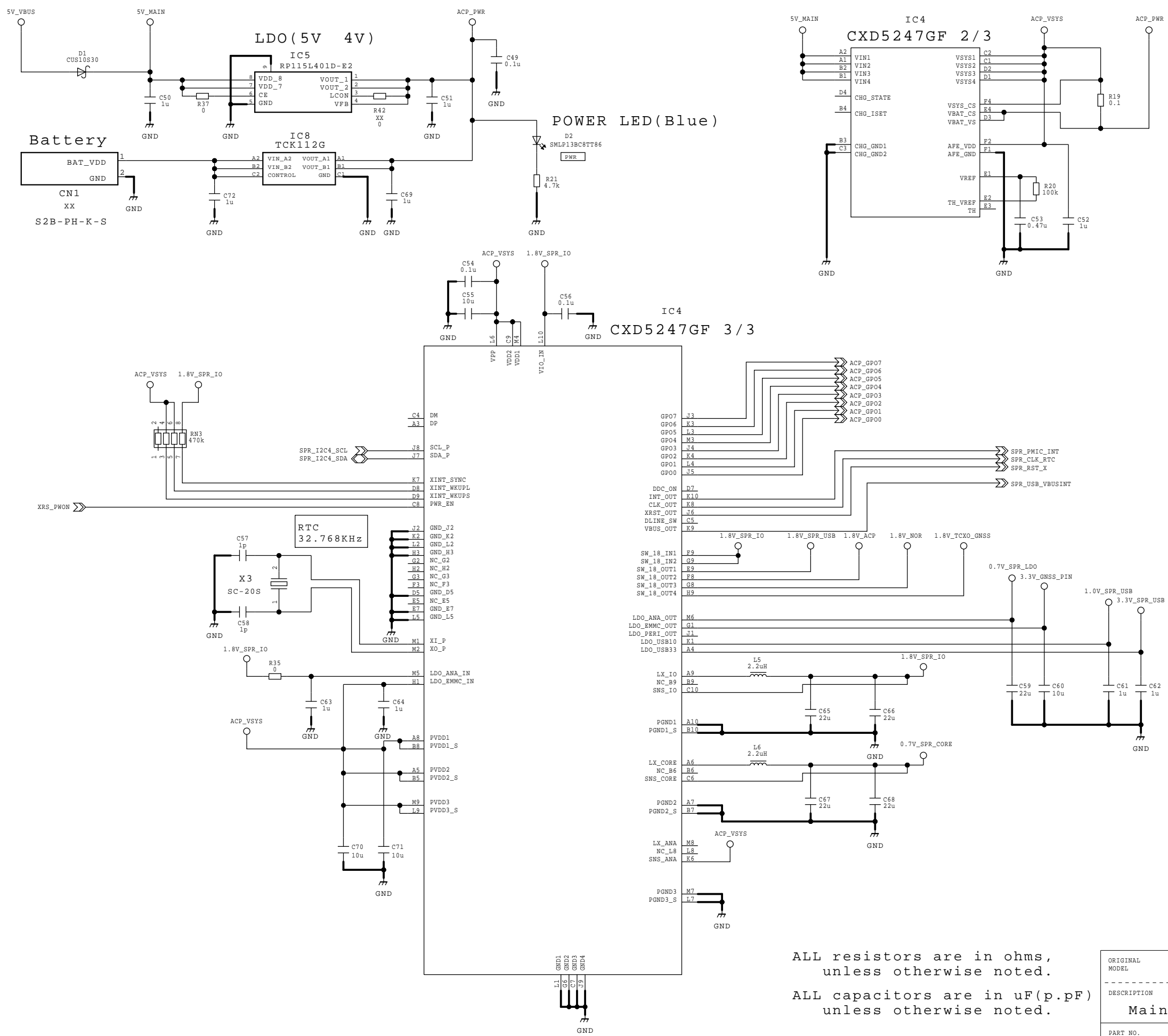
CXD5247GF 1/3

Audio CLK
49.152MHz

ALL resistors are in ohms,
unless otherwise noted.

ALL capacitors are in uF(p.pF)
unless otherwise noted.

ORIGINAL MODEL	SPRESENSE	
DESCRIPTION	Main Board (CXD5602PWBMAIN1)	
PART NO.	2018.7.10	SHEET
		4/8

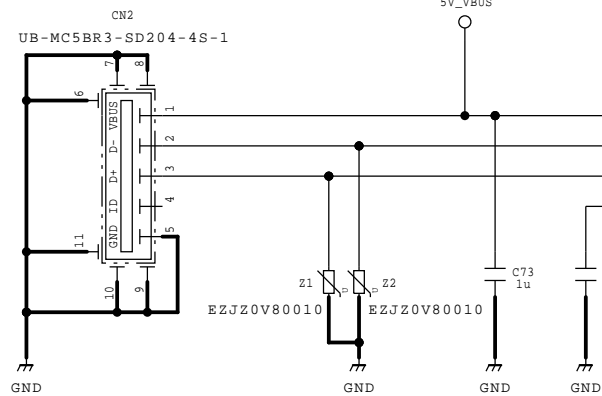


ALL resistors are in ohms,
unless otherwise noted.

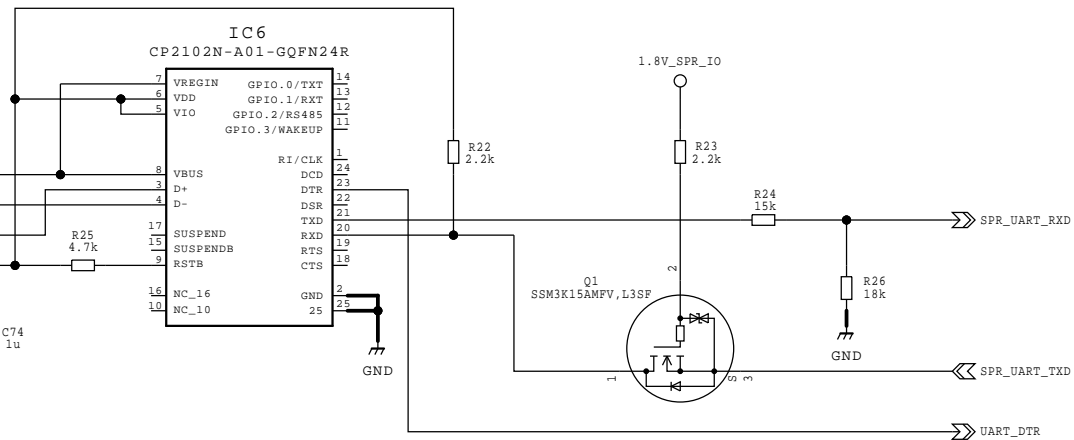
ALL capacitors are in uF(p.pF)
unless otherwise noted.

ORIGINAL MODEL	SPRESENSE	
DESCRIPTION	Main Board (CXD5602PWBMAIN1)	
PART NO.	2018.7.10	SHEET
		5 / 8

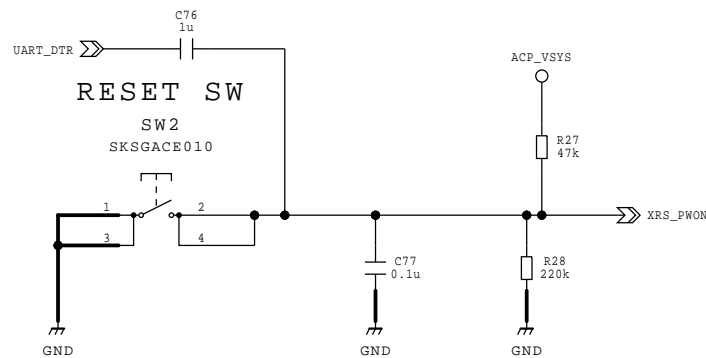
MICRO USB CN TYPE-B



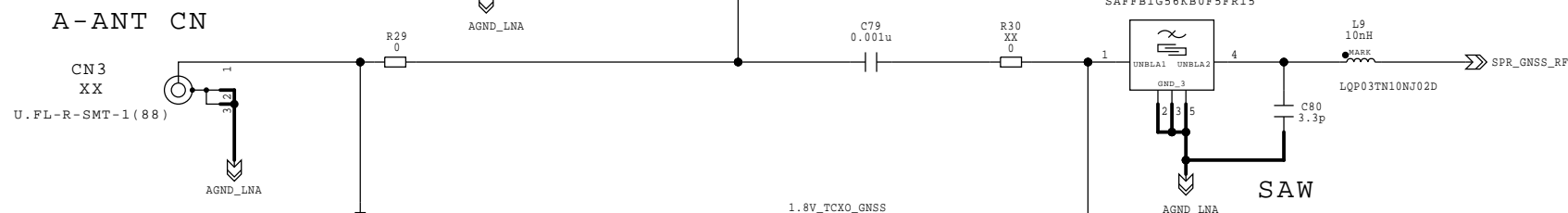
USB-UART



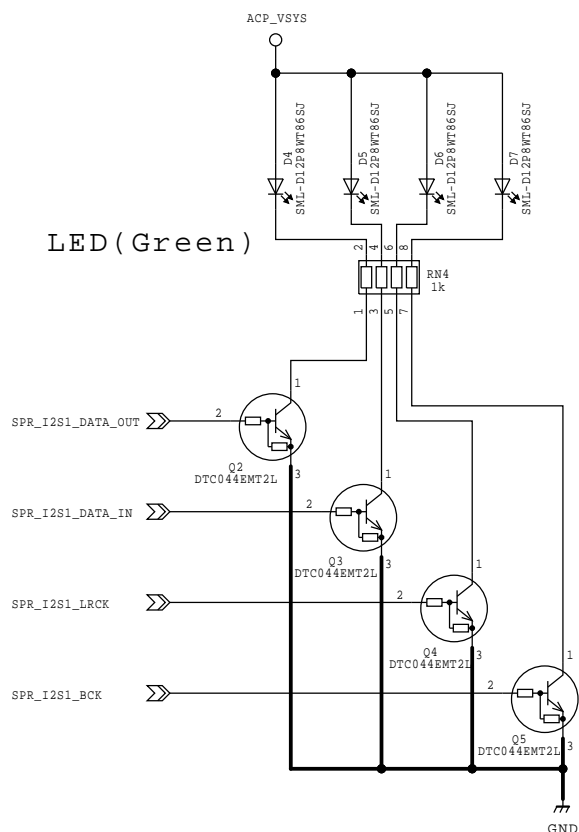
RESET SW



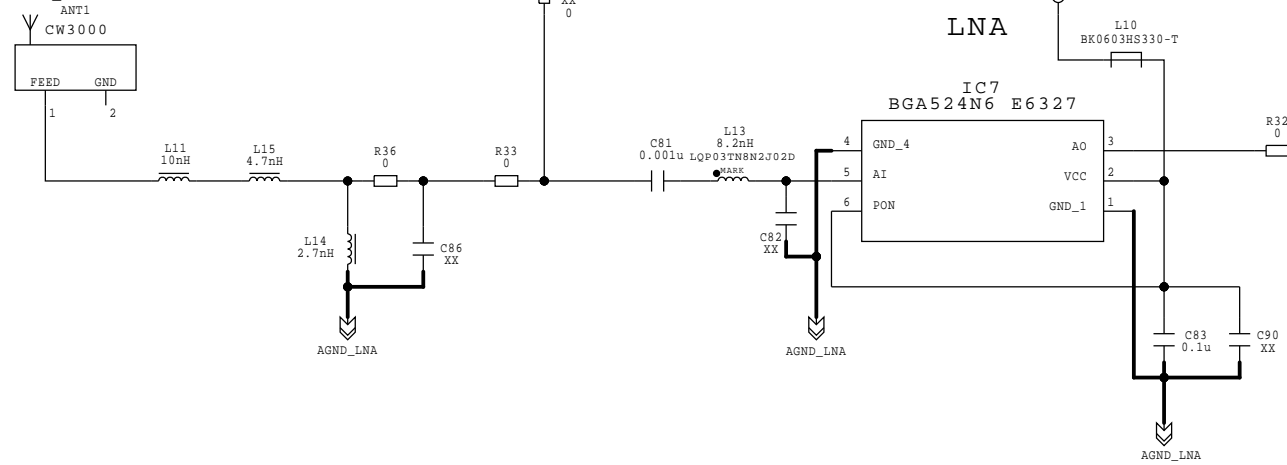
A-ANT CN



LED(Green)



Chip ANT

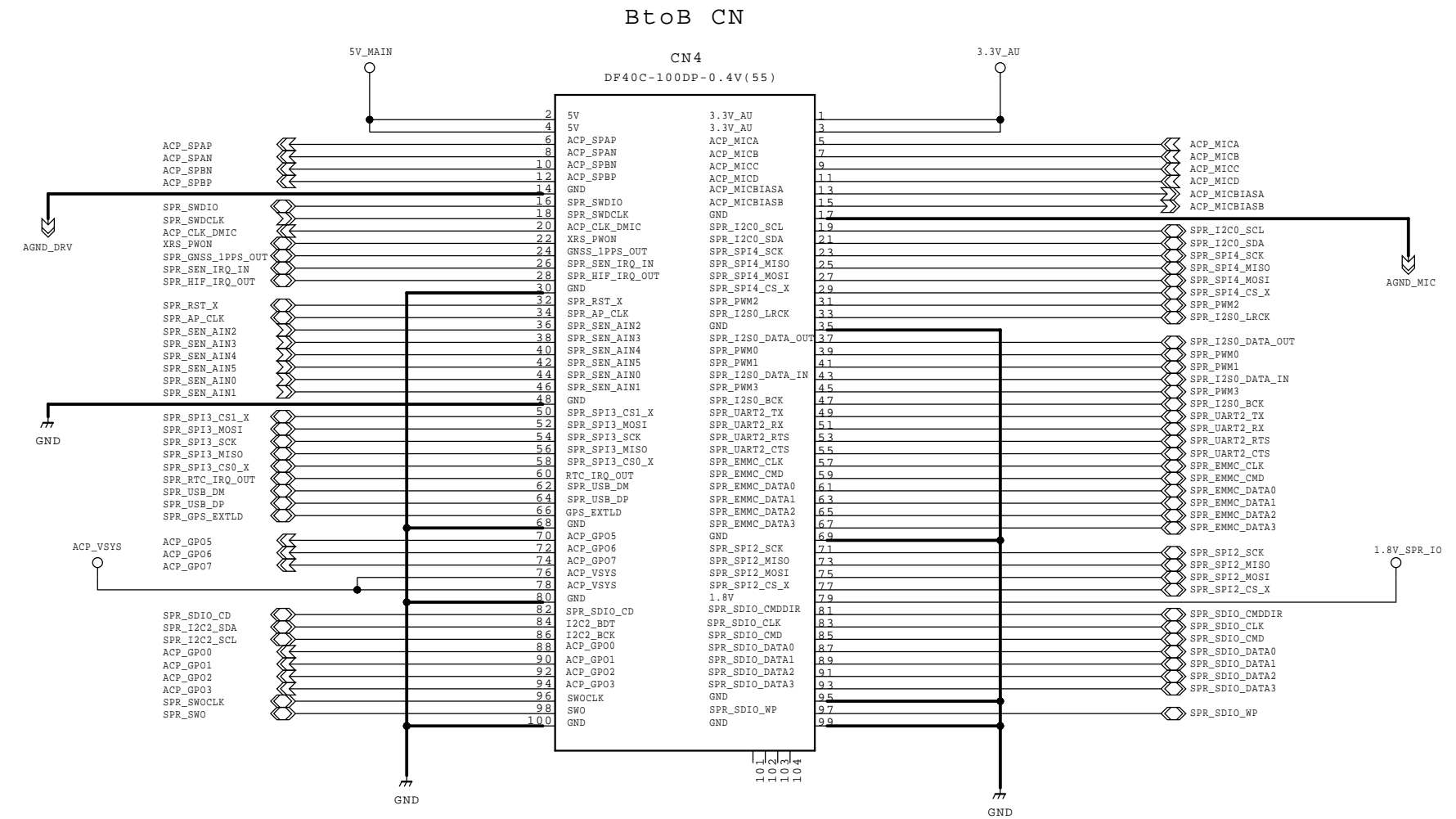


ALL resistors are in ohms,
unless otherwise noted.

ALL capacitors are in uF(p.pF)
unless otherwise noted.

ORIGINAL MODEL	SPRESENSE	
DESCRIPTION	Main Board (CXD5602PWBMAIN1)	
PART NO.	2018.7.10	SHEET
		6 / 8

A
B
C
D
E
F

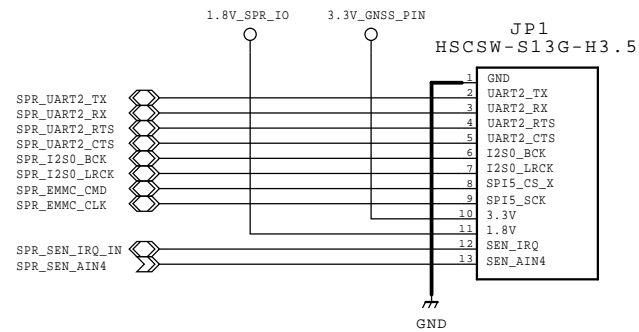


ALL resistors are in ohms,
unless otherwise noted.

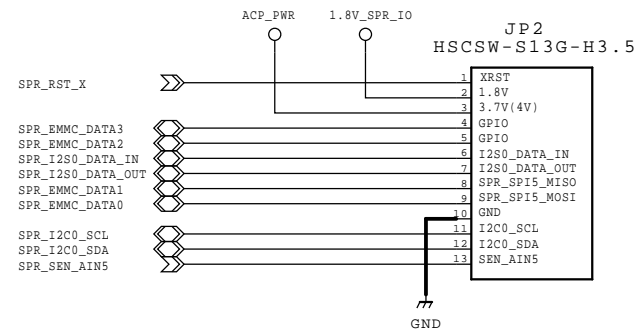
ALL capacitors are in uF(p.pF)
unless otherwise noted.

ORIGINAL MODEL	SPRESENSE	
DESCRIPTION	Main Board (CXD5602PWBMAIN1)	
PART NO.	2018.6.26	SHEET
		7/8

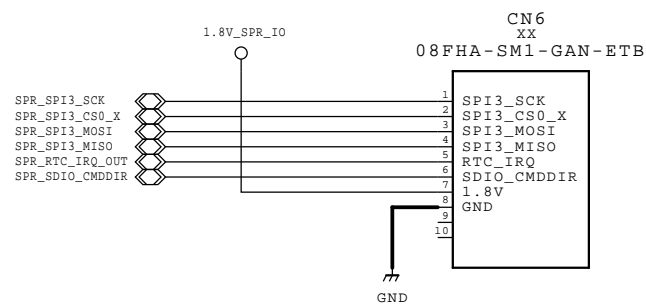
PIN SOCKET [L]



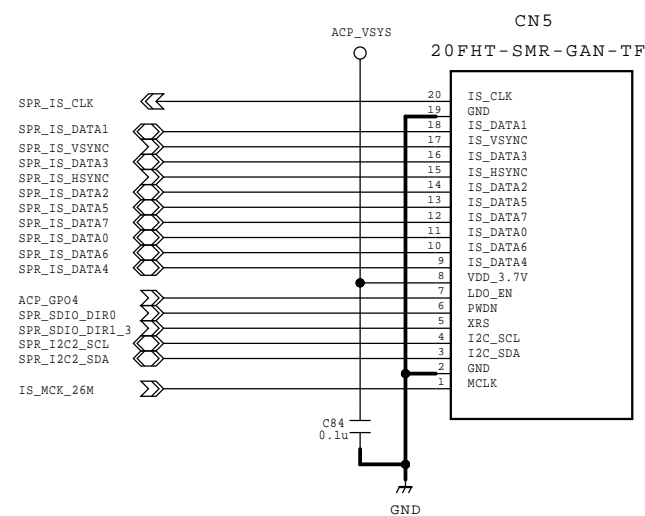
PIN SOCKET [R]



For Sensor Backup CN



For Imager CN



ALL resistors are in ohms,
unless otherwise noted.

ALL capacitors are in uF(p.pF)
unless otherwise noted.

ORIGINAL MODEL	SPRESENSE	
DESCRIPTION	Main Board (CXD5602PWBMAIN1)	
PART NO.	2018.7.9	SHEET
		8 / 8