

RRSN-2240-XX			
Ø'A'	Ø'B'	'L' LENGTH	PART No.
2.2 (0.087)	4 (0.158)	5 (0.197)	RRSN-2240-05
2.2 (0.087)	4 (0.158)	6 (0.236)	RRSN-2240-06
2.2 (0.087)	4 (0.158)	8 (0.315)	RRSN-2240-08
2.2 (0.087)	4 (0.158)	10 (0.394)	RRSN-2240-10
2.2 (0.087)	4 (0.158)	12 (0.473)	RRSN-2240-12
2.2 (0.087)	4 (0.158)	15 (0.591)	RRSN-2240-15
2.2 (0.087)	4 (0.158)	18 (0.709)	RRSN-2240-18
2.2 (0.087)	4 (0.158)	20 (0.788)	RRSN-2240-20

RRSN-3040-XX			
Ø'A'	Ø'B'	'L' LENGTH	PART No.
3.0 (0.118)	4 (0.158)	5 (0.197)	RRSN-3040-05
3.0 (0.118)	4 (0.158)	6 (0.236)	RRSN-3040-06
3.0 (0.118)	4 (0.158)	8 (0.315)	RRSN-3040-08
3.0 (0.118)	4 (0.158)	10 (0.394)	RRSN-3040-10
3.0 (0.118)	4 (0.158)	12 (0.473)	RRSN-3040-12
3.0 (0.118)	4 (0.158)	15 (0.591)	RRSN-3040-15
3.0 (0.118)	4 (0.158)	18 (0.709)	RRSN-3040-18
3.0 (0.118)	4 (0.158)	20 (0.788)	RRSN-3040-20

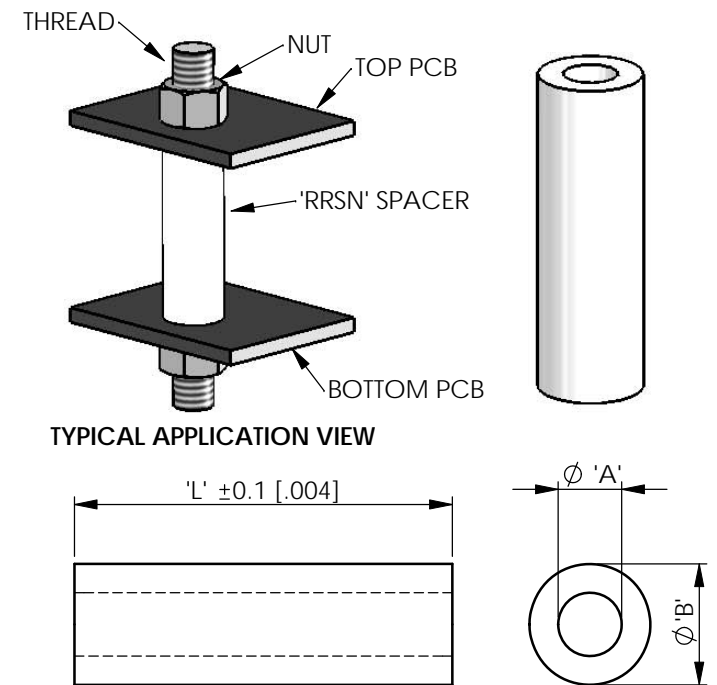
RRSN-2250-XX			
Ø'A'	Ø'B'	'L' LENGTH	PART No.
2.2 (0.087)	5 (0.197)	2 (0.079)	RRSN-2250-02
2.2 (0.087)	5 (0.197)	3 (0.119)	RRSN-2250-03
2.2 (0.087)	5 (0.197)	4 (0.158)	RRSN-2250-04
2.2 (0.087)	5 (0.197)	5 (0.197)	RRSN-2250-05
2.2 (0.087)	5 (0.197)	8 (0.315)	RRSN-2250-08
2.2 (0.087)	5 (0.197)	10 (0.394)	RRSN-2250-10
2.2 (0.087)	5 (0.197)	12 (0.473)	RRSN-2250-12
2.2 (0.087)	5 (0.197)	15 (0.591)	RRSN-2250-15
2.2 (0.087)	5 (0.197)	18 (0.709)	RRSN-2250-18
2.2 (0.087)	5 (0.197)	20 (0.788)	RRSN-2250-20
2.2 (0.087)	5 (0.197)	25 (0.985)	RRSN-2250-25
2.2 (0.087)	5 (0.197)	30 (1.182)	RRSN-2250-30

RRSN-3260-XX			
Ø'A'	Ø'B'	'L' LENGTH	PART No.
3.2 (0.126)	6 (0.236)	2 (0.079)	RRSN-3260-02
3.2 (0.126)	6 (0.236)	3 (0.119)	RRSN-3260-03
3.2 (0.126)	6 (0.236)	4 (0.158)	RRSN-3260-04
3.2 (0.126)	6 (0.236)	5 (0.197)	RRSN-3260-05
3.2 (0.126)	6 (0.236)	8 (0.315)	RRSN-3260-08
3.2 (0.126)	6 (0.236)	10 (0.394)	RRSN-3260-10
3.2 (0.126)	6 (0.236)	12 (0.473)	RRSN-3260-12
3.2 (0.126)	6 (0.236)	15 (0.591)	RRSN-3260-15
3.2 (0.126)	6 (0.236)	18 (0.709)	RRSN-3260-18
3.2 (0.126)	6 (0.236)	20 (0.788)	RRSN-3260-20
3.2 (0.126)	6 (0.236)	25 (0.985)	RRSN-3260-25
3.2 (0.126)	6 (0.236)	30 (1.182)	RRSN-3260-30
3.2 (0.126)	6 (0.236)	35 (1.377)	RRSN-3260-35
3.2 (0.126)	6 (0.236)	40 (1.575)	RRSN-3260-40

RRSN-2750-XX			
Ø'A'	Ø'B'	'L' LENGTH	PART No.
2.7 (0.106)	5 (0.197)	2 (0.079)	RRSN-2750-02
2.7 (0.106)	5 (0.197)	3 (0.119)	RRSN-2750-03
2.7 (0.106)	5 (0.197)	4 (0.158)	RRSN-2750-04
2.7 (0.106)	5 (0.197)	5 (0.197)	RRSN-2750-05
2.7 (0.106)	5 (0.197)	8 (0.315)	RRSN-2750-08
2.7 (0.106)	5 (0.197)	10 (0.394)	RRSN-2750-10
2.7 (0.106)	5 (0.197)	12 (0.473)	RRSN-2750-12
2.7 (0.106)	5 (0.197)	15 (0.591)	RRSN-2750-15
2.7 (0.106)	5 (0.197)	18 (0.709)	RRSN-2750-18
2.7 (0.106)	5 (0.197)	20 (0.788)	RRSN-2750-20
2.7 (0.106)	5 (0.197)	25 (0.985)	RRSN-2750-25
2.7 (0.106)	5 (0.197)	30 (1.182)	RRSN-2750-30

RRSN-3460-XX			
Ø'A'	Ø'B'	'L' LENGTH	PART No.
3.4 (0.134)	6 (0.236)	5 (0.197)	RRSN-3460-05
3.4 (0.134)	6 (0.236)	6 (0.236)	RRSN-3460-06
3.4 (0.134)	6 (0.236)	8 (0.315)	RRSN-3460-08
3.4 (0.134)	6 (0.236)	10 (0.394)	RRSN-3460-10
3.4 (0.134)	6 (0.236)	12 (0.473)	RRSN-3460-12
3.4 (0.134)	6 (0.236)	15 (0.591)	RRSN-3460-15
3.4 (0.134)	6 (0.236)	18 (0.709)	RRSN-3460-18
3.4 (0.134)	6 (0.236)	20 (0.788)	RRSN-3460-20

REV	MODIFICATION	DATE	DRN
04	ECN 04-217	09/12/04	NJB
05	ECN 07-218	06/12/07	NJB
06	CO2010276	07/07/08	TC
07	CO2010932	04/06/10	SF



INFORMATION CONTAINED IN THIS DOCUMENT IS CONFIDENTIAL TO RICHCO INTERNATIONAL Co. Ltd. AND MAY NOT BE DISCLOSED OR REPRODUCED IN WHOLE OR PART WITHOUT THEIR WRITTEN CONSENT.

RICHCO, INC. WWW.RICHCO-INC.COM		METRIC GENERAL TOLERANCES ±0.25 ARE PRIMARY UNLESS OTHERWISE STATED 1 DECIMAL PLACE ± .25 2 DECIMAL PLACES ± .10 ANGULAR ±1°	
MATERIAL: POLYSTYRENE (RMS-163)		IMPERIAL GENERAL TOLERANCES ±0.10 ARE FOR REFERENCE UNLESS OTHERWISE STATED 1 DECIMAL PLACE ± .010 2 DECIMAL PLACES ± .004 ANGULAR ±1°	
DESCRIPTION: ROUND SPACERS		COLOUR: WHITE	THIRD ANGLE
DRG No: 04-082		PART No: RRSN-XXXX-XX	
SHEET SIZE A4			
DRN NJB	DATE 30/07/04	CHKD RC	DATE 20/10/04
SCALE NTS	SHEET No. 1 OF 2		

NOTES:
1) PRIMARY DIMS IN mm, SECONDARY DIMS IN [INCHES]
2) SEE SHEET 2 FOR RRSN-3548/4280/4570/52100/6290.
3) PARTS AVAILABLE IN BLACK(RMS-090). ADD "-GF" TO END OF PART NUMBER. EXAMPLE:" RRSN-3250-03-GF".