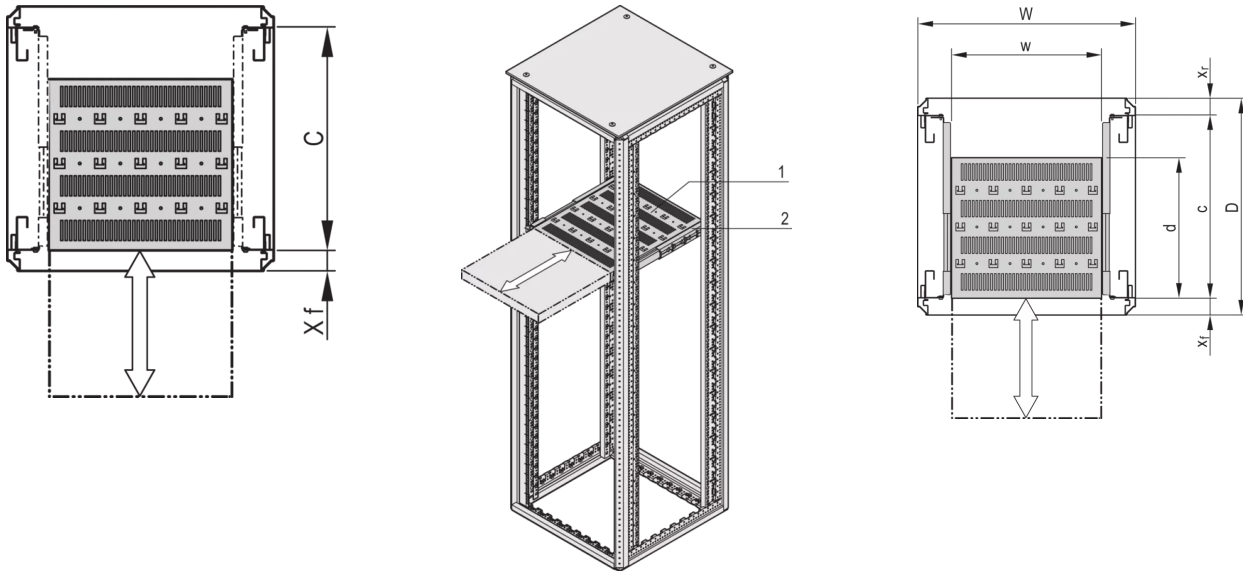


22130-344 VARISTAR 19" SHELF, TELESCOPIC, 30 KG, RAL 7035, SHORTENED, 600W 700D



### KEY FEATURES

Static load-carrying capacity at full extension 30-kg

Perforated for assembling cable ties

Mounting height 1 U, for mounting on four 19" panel/slide mounts

Incl. telescopic slides

Hammer head perforation to fix cable ties

### PRODUCT ATTRIBUTES

Product Type: Shelf

Product Family: Varistar

Type: Telescopic Shelf, Reduced Depth

Color: Light Grey

Color Code: RAL 7035

Width: 417 mm

Depth: 582 mm

## ADDITIONAL PRODUCT DETAILS

---

Varistar 19" Shelf, Stationary with 30 KG load capacity, perforated for ease of assembly.

Mounting bracket for assembly of the telescopic slide on the frame please order separately.

## CERTIFICATIONS

---



### North America

All locations  
+1.763.422.2661  
Chat with us:  
[schroff.nvent.com](https://schroff.nvent.com)

### Europe

Straubenhardt, Germany  
+49.7082.794.0  
Betschdorf, France  
+33.3.88.90.64.90  
Warsaw, Poland  
+48.22.209.98.35  
Assago, Italy  
+39.02.932.7141  
Chat with us:  
[schroff.nvent.com](https://schroff.nvent.com)

### Asia

Shanghai, China  
+86.21.2412.6943  
Qingdao, China  
+86.532.8771.6101  
Singapore  
+65.6768.5800  
Shin-Yokohama, Japan  
+81.45.476.0271  
Chat with us:  
[schroff.nvent.com](https://schroff.nvent.com)

### Middle East & India

Dubai, United Arab Emirates  
+971.4.378.1700  
Bangalore, India  
+91.80.6715.2001  
Istanbul, Turkey  
+90.216.250.7374  
Chat with us:  
[schroff.nvent.com](https://schroff.nvent.com)



Our powerful portfolio of brands:  
[nVent.com](https://nVent.com) **CADDY ERICO HOFFMAN RAYCHEM SCHROFF TRACER**

© 2023 nVent. All nVent marks and logos are owned or licensed by nVent Services GmbH or its affiliates. All other trademarks are the property of their respective owners.

nVent reserves the right to change specifications without notice.