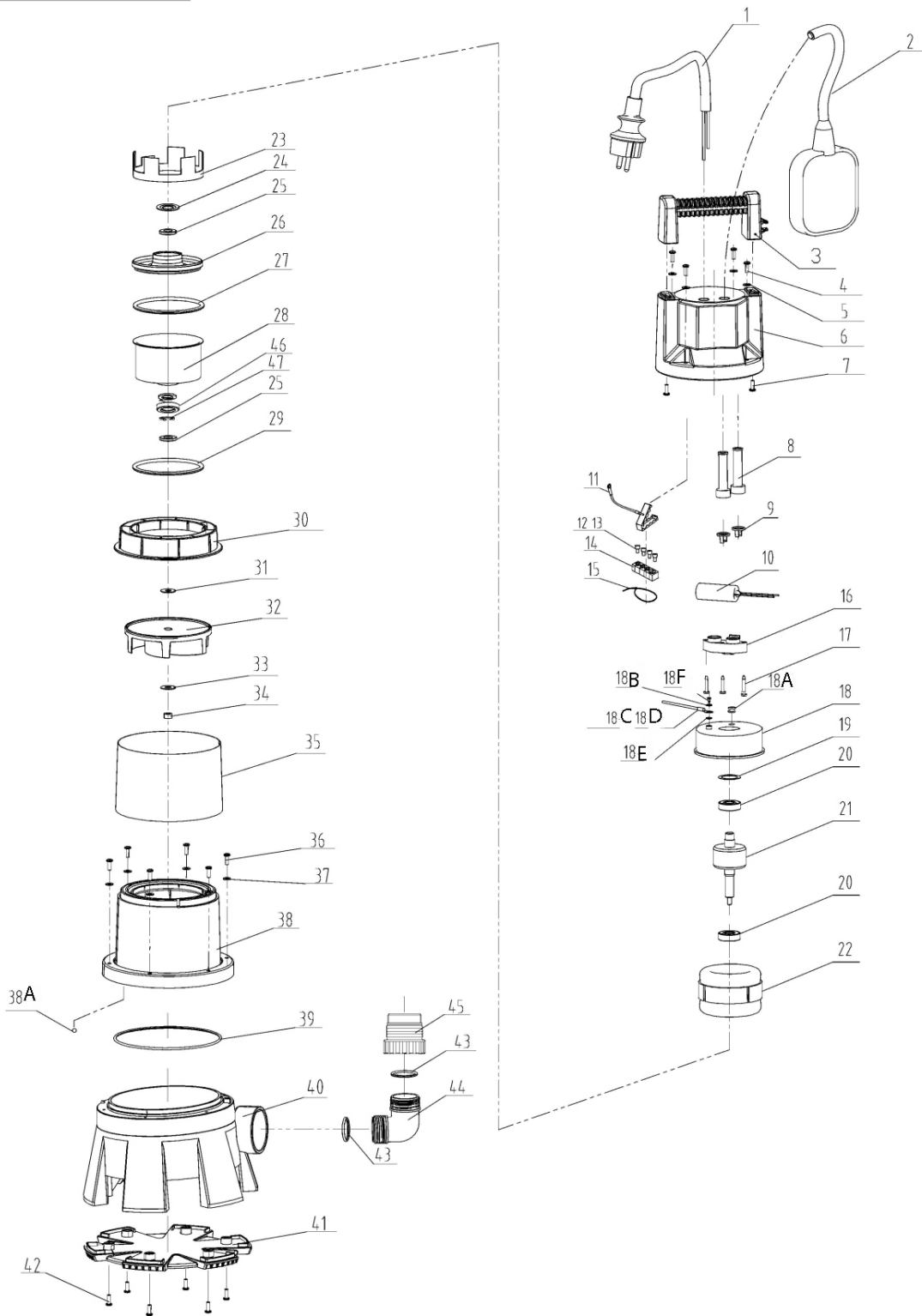




Parts Information:
**High Flow Submersible Stainless Dirty
Water Pump Automatic 417ltr/min 230V
Model No: WPD415**



NOTE: It is our policy to continually improve products and as such we reserve the right to alter data, specifications and component parts without prior notice.

IMPORTANT: No liability is accepted for incorrect use of product.

WARRANTY: Guarantee is 12 months from purchase date, proof of which will be required for any claim.

Sealey Group, Kempson Way, Suffolk Business Park, Bury St Edmunds, Suffolk. IP32 7AR



01284 757500



01284 703534



sales@sealey.co.uk



www.sealey.co.uk



Parts Information:
**High Flow Submersible Stainless Dirty
 Water Pump Automatic 417ltr/min 230V
 Model No: WPD415**

1	WP08701001	POWER CABLE
2	WP01401001	FLOAT SWITCH
3	WP00201026	HANDLE
4	WP07802005	SELF-TAPPING SCREW
5	WP03802031	WASHER
6	WP00301027	REAR PUMP CASING
7	WP845H	SELF TAPPING SCREW ST4.2x18
8	WP05201036	CABLE SHEATH
--	WP05201036	CABLE SHEATH (NOT SHOWN)
9	WP05602008	CABLE BUCKLE
--	WP05602008	CABLE BUCKLE (NOT SHOWN)
10	WP08401025	4uF CAPACITOR
11	WP04105006	GROUND COVER
12	WP04101001	NYLON SAFETY PRESS LINE CAP
13	WP04101003	NYLON SAFETY PRESS LINE CAP
14	WP03203012	RUBBER CLIP
15	WP08501001	CABLE TIE
16	WP05501001	CABLE GRIP
17	WP07802018	SELF-TAPPING SCREW
18	WP02602004	ALUMINUM REAR COVER
18A	WP05202003	WIRE SHEATH
18B	WP934	SPRING WASHER
18C	WP08601001	WIRE (YELLOW/GREEN)
18D	WP04102027	PLATE
18E	WP86224	WASHER
18F	WP818	SCREW M4X8
19	WP03801001	WAVE WASHER
20	B/6201ZZ	BEARING 6201ZZ
21	WP02301132	ROTOR
22	WP02202111	STATOR

Item	Part No.	Description
23	WP02005011	BUSHING RING
24	WP03802023	WASHER
25	WP05102002	SEALING RING
26	WP04204001	ALUMINUM BUSHING
27	WP05101052	O-RING
28	WP02501098	FRONT COVER
29	WP05101010	O-RING
30	WP05301015	LOCATING RING
31	WP03802033	ADJUSTING WASHER
32	WP00903071	IMPELLER
33	WP03802005	ADJUSTING GASKET
34	SN8.S	STEEL NUT M8 ZINC DIN934 (SINGLE)
35	WP06201016	STAINLESS STEEL
36	WP845I	SELF TAPPING SCREW ST4.2x32
37	WP03802031	WASHER
38	WP00403046	MAIN PUMP CASING
38A	WP3086	STEEL BALL
39	WP05101019	O-RING
40	WP00602035	BASE
41	WP00703005	BASE PLATE
42	SM1302.74	SCREW (ST4.2x13)
43	WP05101041	O RING
44	WP02804001	ELBOW
45	WP02704001	OUTPUT CONNECTOR
--	WP05101079	O RING (NOT SHOWN)
--	WP07802021	SCREW (NOT SHOWN)
46	WP06101007	MECHANICAL SEAL
47	WP894112	CHECKED RING

NOTE: It is our policy to continually improve products and as such we reserve the right to alter data, specifications and component parts without prior notice.

IMPORTANT: No liability is accepted for incorrect use of product.

WARRANTY: Guarantee is 12 months from purchase date, proof of which will be required for any claim.

Sealey Group, Kempson Way, Suffolk Business Park, Bury St Edmunds, Suffolk. IP32 7AR



01284 757500



01284 703534



sales@sealey.co.uk



www.sealey.co.uk