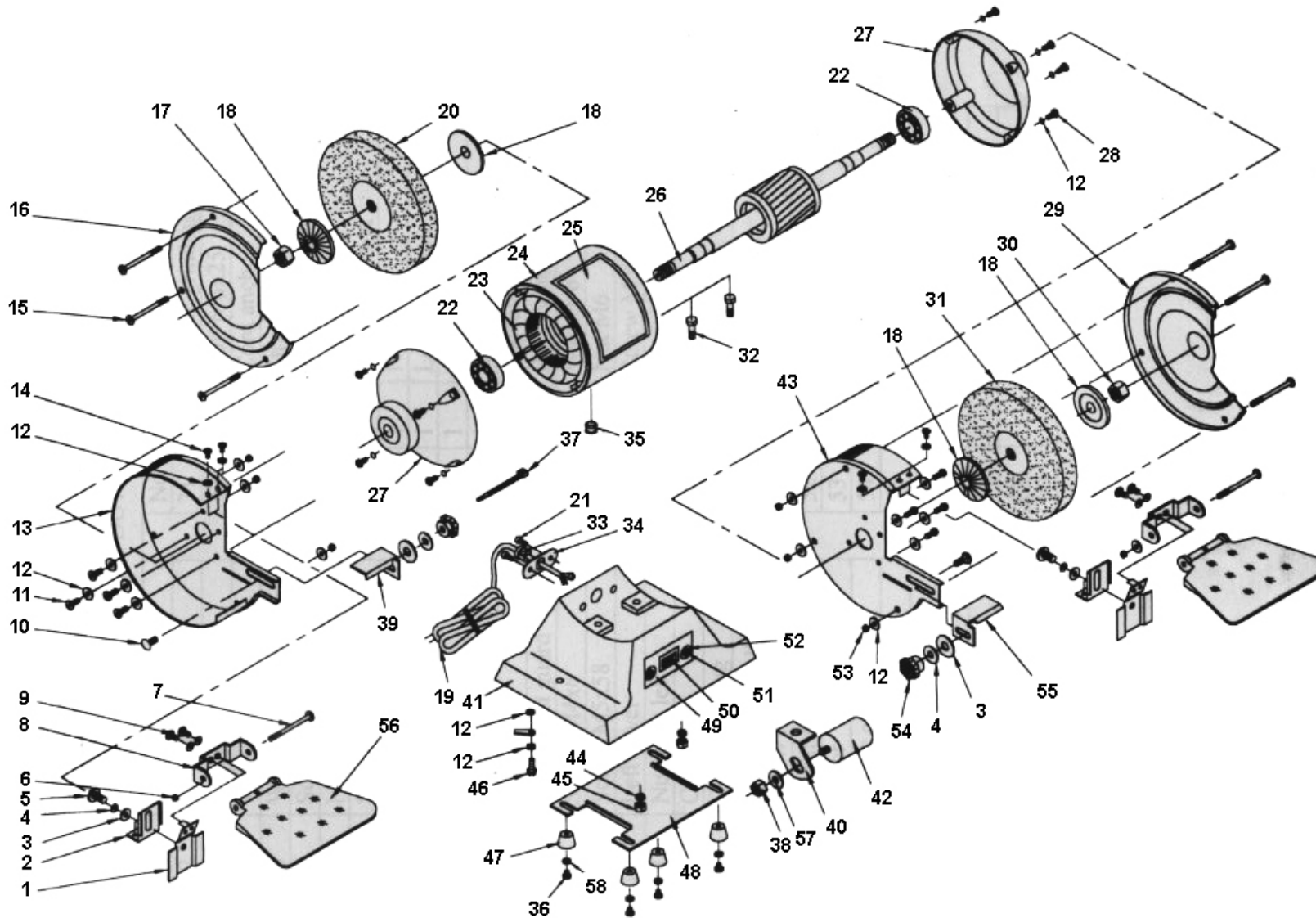


Parts Information:
Bench Grinder Ø150mm 450W/230V Heavy-Duty
Model No: BG150XD/99.V3





Parts Information:
Bench Grinder Ø150mm 450W/230V
Heavy-Duty
Model No: BG150XD/99.V3

Item	Part No.	Description
1	BG150XD99-01A	EYESHIELD BRACKET ASSEMBLY
2	BG150XD99-01A	EYESHIELD BRACKET ASSEMBLY
3	RW619.S	REPAIR WASHER M6x19 (SINGLE)
4	FWM6.S	FLAT WASHER M6 SINGLE
5	MSP610.S	MACHINE SCREW PAN HEAD PHILLIPS M6x10mm (SINGLE)
6	SN4.S	STEEL NUT M4 ZINC DIN934 (SINGLE)
7	MSP455.S	MACHINE SCREW PAN HEAD PHILLIPS M4x55mm (SINGLE)
8	BG150XD99-01A	EYESHIELD BRACKET ASSEMBLY
9	MSP46.S	MACHINE SCREW PAN HEAD PHILLIPS M4x6mm (SINGLE)
10	CBN616.S	COACH BOLT M6x16mm (SINGLE)
11	MSP510.S	MACHINE SCREW PAN HEAD PHILLIPS M5x10mm (SINGLE)
12	FWM5.S	FLAT WASHER M5 SINGLE
13	BG150XD99V313	LEFT WHEEL GUARD
14	MSP46.S	MACHINE SCREW PAN HEAD PHILLIPS M4x6mm (SINGLE)
15	MSP560.S	MACHINE SCREW PAN HEAD PHILLIPS M5x60mm (SINGLE)
16	BG150XD99V316	LEFT COVER, WHEEL GUARD
17	BG150XD99V317	NUT M12 LEFT
18	BG150XD99V318	WHEEL FLANGE
19	BG150XD99V319	CORD & PLUG
20	BG150/15	GRINDING STONE 150x20mm 32(13)mm BORE A60P FINE
21	BG150XW99V321	SCREW M5x6
22	BG150XD99V322	BEARING 80202zz
23	BG150XD99V323	STATOR
24	BG150XD99V324	MOTOR CASE
25	BG150XD99V325	LABEL
26	BG150XD99V326	ROTOR
27	BG150XD99V327	END CASING
28	BG150XD99V328	SCREW M5x16
29	BG150XD99V329	RIGHT COVER, WHEEL GUARD
30	BG150XD99V330	NUT M12 LEFT

Item	Part No.	Description
31	BG150/16	GRINDING STONE 150x20mm 32(13)mm BORE A36Q COARSE
32	BG150XD99V332	BOLT M6x25
33	BG150XD99V333	CORD GRIP
34	BG150XD99V334	STRAIN RELIEF
35	BG150XD99V335	PROTECTION RING
36	MSP514.S	MACHINE SCREW PAN HEAD PHILLIPS M5x14mm (SINGLE)
37	BG150XD99V337	CABLE TIE
38	SN8.S	STEEL NUT M8 ZINC DIN934 (SINGLE)
39	BG150XD99V339	TOOL REST, LEFT
40	BG150XD99V340	CAPACITOR HOLDER
41	BG150XD99V341	BASE
42	BG150XD99V342	CAPACITOR
43	BG150XD99V343	RIGHT WHEEL GUARD
44	FWM6.S	FLAT WASHER M6 SINGLE
45	SN6.S	STEEL NUT M6 ZINC DIN934 (SINGLE)
46	BG150XW99V346	SCREW M5x8
47	BG150XD99V347	RUBBER FOOT
48	BG150XD99V348	BASE PLATE
49	BG150XD99V349	SWITCH LABEL
50	BG150XD99V350	SWITCH
51	MSP310.S	MACHINE SCREW PAN HEAD PHILLIPS M3x10mm (SINGLE)
52	FWM3.S	FLAT WASHER M3 SINGLE
53	SN5.S	STEEL NUT M5 ZINC DIN934 (SINGLE)
54	BG150XL/96-TF	TOOL REST FIXING COMPLETE
55	BG150XD99V355	TOOL REST, RIGHT
56	BG150XD/99-01	EYESHIELD ONLY
57	FWM8.S	FLAT WASHER M8 SINGLE
58	FWM5.S	FLAT WASHER M5 SINGLE

NOTE: It is our policy to continually improve products and as such we reserve the right to alter data, specifications and component parts without prior notice.

IMPORTANT: No liability is accepted for incorrect use of product.

WARRANTY: Guarantee is 12 months from purchase date, proof of which will be required for any claim.

Sealey Group, Kempson Way, Suffolk Business Park, Bury St Edmunds, Suffolk. IP32 7AR



01284 757500



01284 703534



sales@sealey.co.uk



www.sealey.co.uk