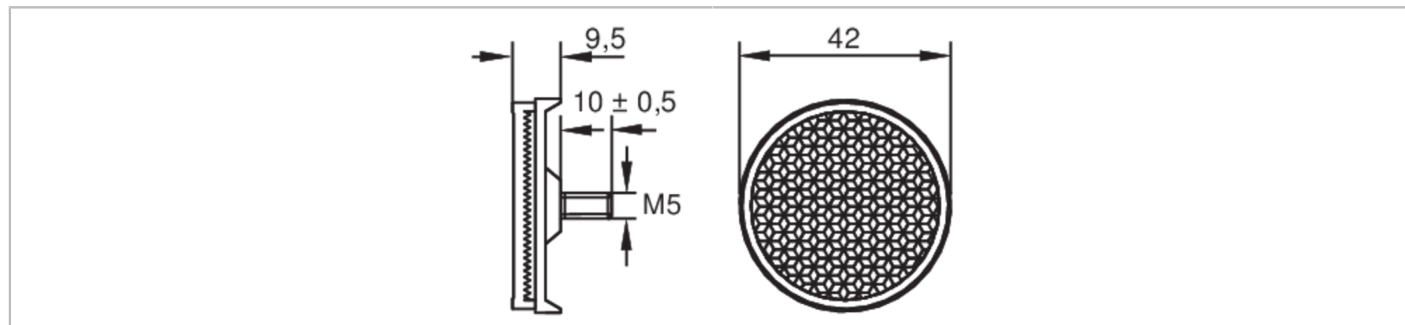


E20850



Reflector for retro-reflective sensors

REFLECTOR TS40-02



Application		
Design	round, for red light and infrared light retro-reflective sensors	
Operating conditions		
Ambient temperature	[°C]	-10...60
Mechanical data		
Weight	[g]	10.8
Dimensions	[mm]	Ø 40
Materials	plastics	
Remarks		
Pack quantity	1 pcs.	