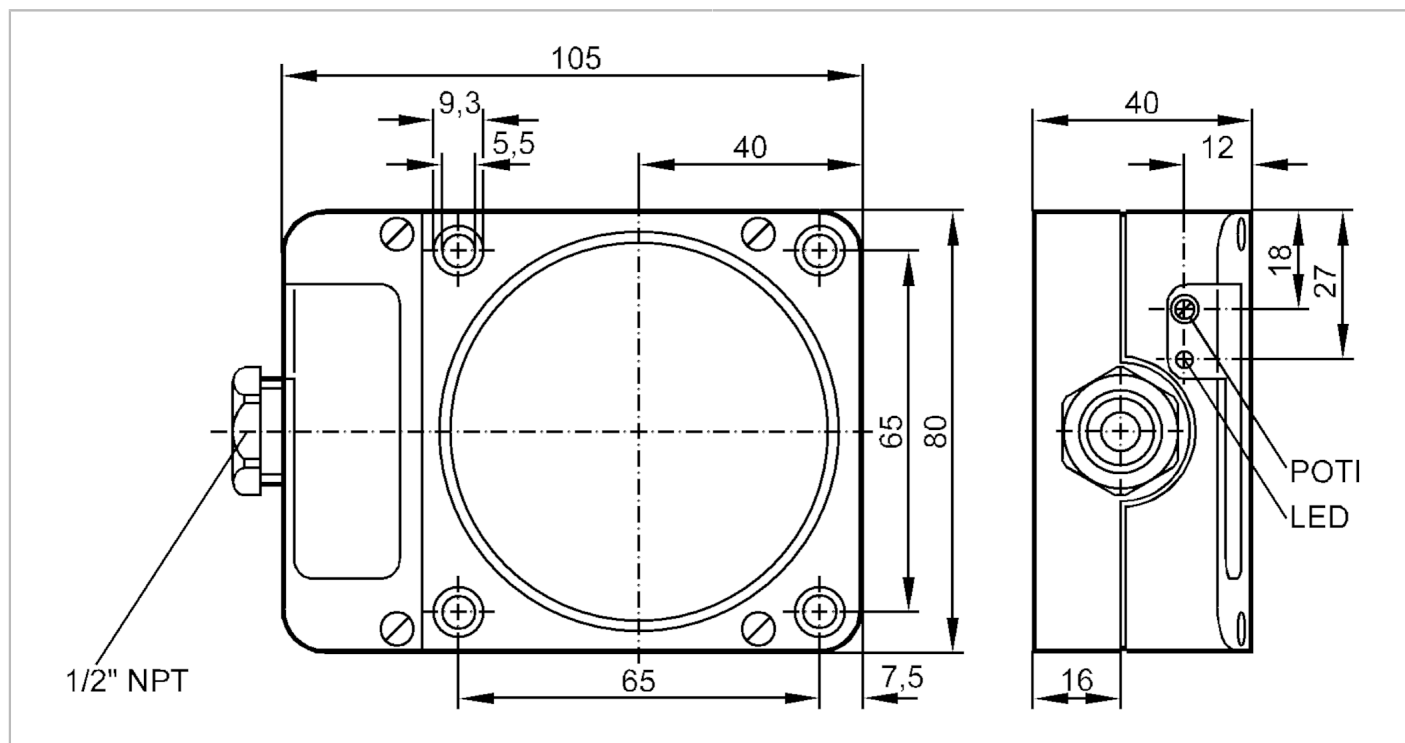


KD0024



Capacitive sensor

KDE2060-FBOA/NI/NPT



Product characteristics

| | | |
|-----------------|------|---|
| Output function | | normally open / normally closed; (selectable) |
| Sensing range | [mm] | 60 |
| Housing | | rectangular |

Electrical data

| | | |
|-----------------------------|-----|----------------|
| Operating voltage | [V] | 20...250 AC/DC |
| Protection class | | II |
| Reverse polarity protection | | no |

KD0024



Capacitive sensor

KDE2060-FBOA/NI/NPT

| Outputs | | |
|--|--|--------------|
| Output function | normally open / normally closed; (selectable) | |
| Max. voltage drop switching output DC [V] | 8 | |
| Max. voltage drop switching output AC [V] | 10 | |
| Minimum load current [mA] | 5 | |
| Max. leakage current [mA] | 2.5 (250 V AC) / 1.7 (110 V AC) / 1.3 (24 V DC) | |
| Permanent current rating of switching output AC [mA] | 200; (for UL application: 250 / 100 DC) | |
| Permanent current rating of switching output DC [mA] | 200; (for UL application: 250 AC / 100 DC) | |
| Short-time current rating of switching output [mA] | 1500; (20 ms / 0,5 Hz) | |
| Switching frequency AC [Hz] | 10 | |
| Switching frequency DC [Hz] | 10 | |
| Short-circuit proof | no | |
| Overload protection | no | |
| Detection zone | | |
| Sensing range [mm] | 60 | |
| Sensing range adjustable | yes | |
| Factory setting sensing range [mm] | 60 | |
| Real sensing range Sr [mm] | 60 ± 10 % | |
| Operating distance [mm] | 0...48.6 | |
| Accuracy / deviations | | |
| Correction factor | glass: 0.4 / water: 1 / ceramics: 0.2 / PVC: 0.2 | |
| Hysteresis [% of Sr] | 1...15 | |
| Switch point drift [% of Sr] | -15...15 | |
| Operating conditions | | |
| Ambient temperature [°C] | -25...80 | |
| Protection | IP 65 | |
| Tests / approvals | | |
| EMC | EN 60947-5-2 | |
| MTTF [years] | 409 | |
| Mechanical data | | |
| Weight [g] | 307.5 | |
| Housing | rectangular | |
| Mounting | non-flush mountable | |
| Materials | PPE modified | |
| Displays / operating elements | | |
| Display | switching status | 1 x LED, red |
| Electrical connection | | |
| Required protection | miniature fuse to IEC60127-2 sheet 1; ≤ 2 A; fast acting | |

KD0024



Capacitive sensor

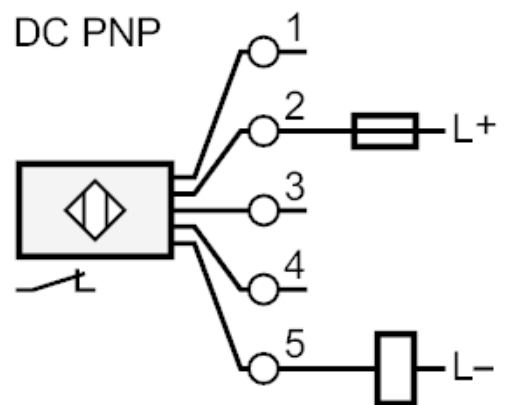
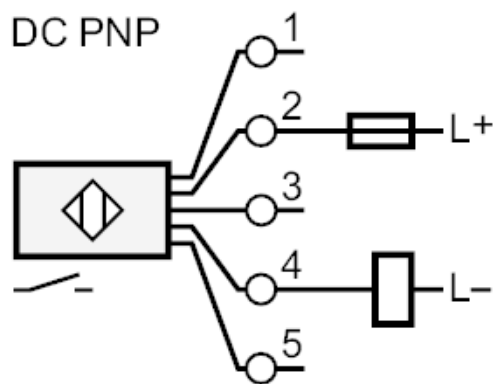
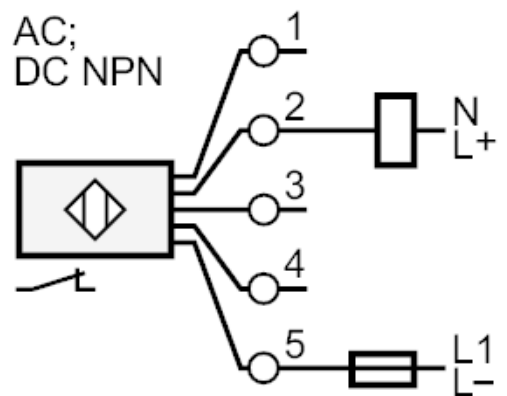
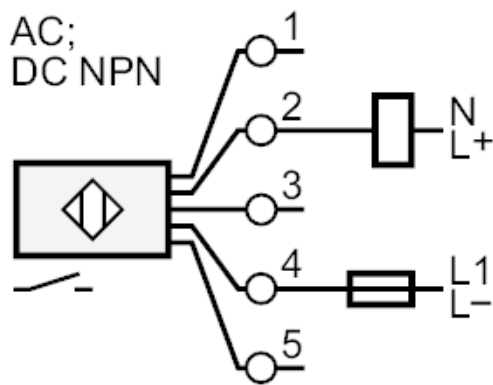
KDE2060-FBOA/NI/NPT

| Accessories | |
|------------------------|---|
| Accessories (supplied) | screwdriver: 1 spring washers: 4 cylinder screws: 4 |
| Remarks | |
| Remarks | Recommendation: Check the safe functioning of the unit after a short circuit. |
| Pack quantity | 1 pcs. |

Electrical connection

terminals: ...2.5 mm²; Cable sheath: Ø 7...13 mm

Connection



Note miniature fuse to IEC60127-2 sheet 1 ≤ 2 A fast acting