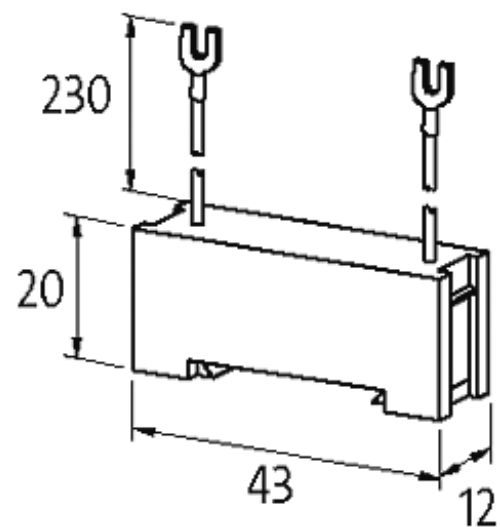


**SUPPRESSOR FOR CONTACTORS**

RC, 400 VAC/DC, 25 VA

400 V AC/DC  
RC

For other configurations and voltages, please inquire

[Link to Product](#)**Illustration**



RC

Product may differ from Image

### Approvals



### Appropriate contactors

universal

### Technical Data

Damping factor	approx. 1.5 × UN
Material	Flame retardant plastic acc. to (UL 94)
Connection wires	self-securing cable forks
Max. power (W)	25 W(VA)

### General data

Temperature range	-20...+70 °C
Dimensions H × W × D	20×43×12 mm

### Commercial data

country of origin	CZ
customs tariff number	85363010
minimum order quantity	1