

REAR INSULATING PLATE EXTENDED 1 PCS.
ACCESSORY FOR: 3VA2 100/160/250



Model

product brand name SENTRON

| | | | |
|--------------------------|-----|---------------------------|-------|
| General Product Approval | EMC | Declaration of Conformity | other |
|--------------------------|-----|---------------------------|-------|



[other](#)



EG-Konf.

[other](#)

Further information

Information- and Downloadcenter (Catalogs, Brochures,...)

<http://www.siemens.com/lowvoltage/catalogs>

Industry Mall (Online ordering system)

<https://eb.automation.siemens.com/mall/en/WW/Catalog/Product/3VA92210WJ40>

Service&Support (Manuals, Certificates, Characteristics, FAQs,...)

<http://support.automation.siemens.com/WW/view/en/3VA92210WJ40/all>

Image database (product images, 2D dimension drawings, 3D models, device circuit diagrams, ...)

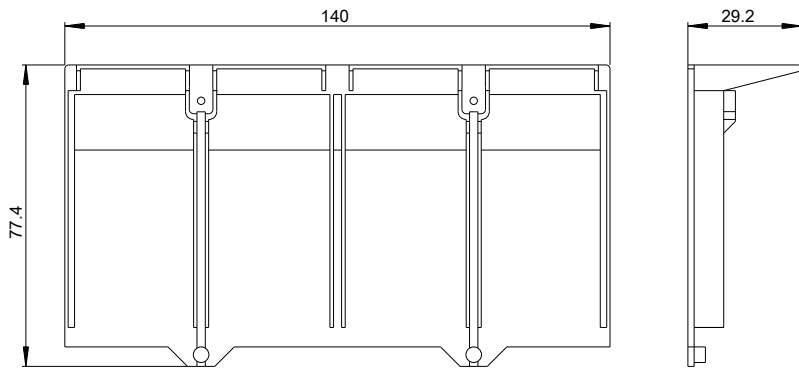
http://www.automation.siemens.com/bilddb/cax_en.aspx?mlfb=3VA92210WJ40

CAX-Online-Generator

<http://www.siemens.com/cax>

Tender specifications

<http://ausschreibungstexte.siemens.com/tiplv>



last modified:

11.03.2015