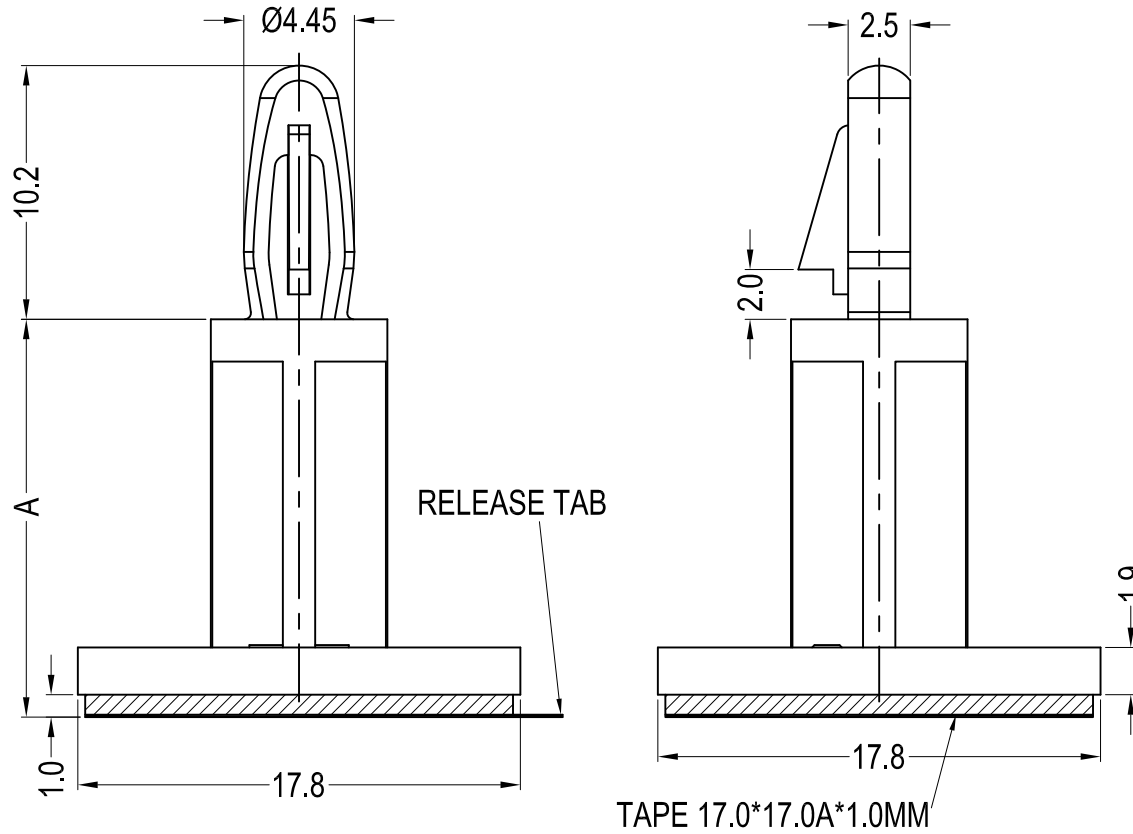


DO NOT SCALE DRAWING

REVISIONS

ZONE	REV.	DESCRIPTION	DATE	APPROVED
	A	DRAWN	08-08-2013	



Part No.	A
TRLCBSB-3-01A2-RT	4.8
TRLCBSB-6M-01A2-RT	6.0
TRLCBSB-4-01A2-RT	6.4
TRLCBSB-8M-01A2-RT	8.0
TRLCBSB-6-01A2-RT	9.5
TRLCBSB-10M-01A2-RT	10.0
TRLCBSB-12M-01A2-RT	12.0
TRLCBSB-8-01A2-RT	12.7
TRLCBSB-14M-01A2-RT	14.0
TRLCBSB-10-01A2-RT	15.9
TRLCBSB-16M-01A2-RT	16.0
TRLCBSB-12-01A2-RT	19.1
TRLCBSB-14-01A2-RT	22.2
TRLCBSB-16-01A2-RT	25.4
TRLCBSB-18-01A2-RT	28.6

Notes:
 1, RoHS Compliant;
 2, Top Hole: $\varnothing 4.0 \pm 0.08$ mm; Panel Thickness: 1.6mm.



UNLESS OTHERWISE SPECIFIED:
 DIMENSIONS ARE IN MILLIMETERS.
 SURFACE FINISH:
 TOLERANCES:
 $L \leq 4 = \pm 0.1$ $4 < L \leq 15 = \pm 0.2$
 $15 < L \leq 50 = \pm 0.3$ $50 < L \leq 100 = \pm 0.4$

NAME	DATE
DRAWN MARTIN ELLIOTT	08/08/2013
CHK'D	
APP'D	

MATERIAL
 PA66 UL94 V2+TAPE

HEAT TREATMENT
 N/A

FINISH
 NATURAL

TITLE
 PUSH SPACER ON ADHESIVE BASE

DESIGN RIGHT. TR FASTENINGS LTD. 2003
 UNDER NO CIRCUMSTANCES MUST THIS
 DRAWING BE COPIED OR DISCLOSED.
 WITHOUT FIRST OBTAINING WRITTEN
 AUTHORITY.

CUSTOMER PART NO.

DWG NO.
 TRLCBSB-X-01A2-RT

A3