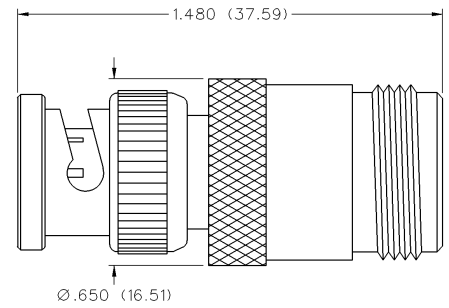


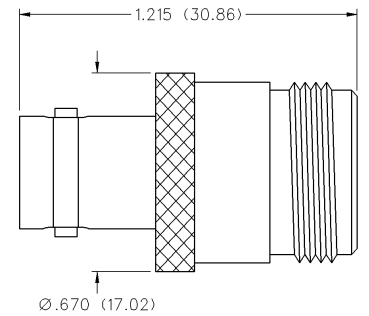
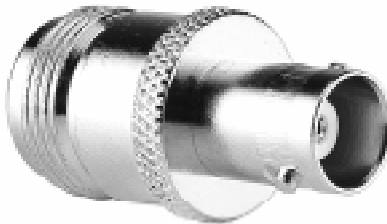
INCHES (MILLIMETERS)
CUSTOMER DRAWINGS AVAILABLE UPON REQUEST

BNC Plug to N Jack



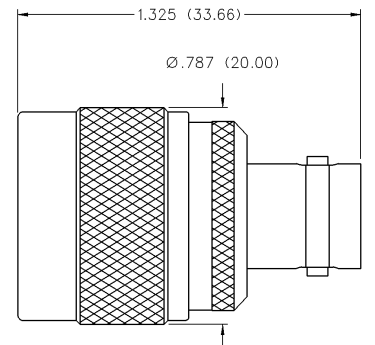
CP-AD807

BNC Jack to N Jack



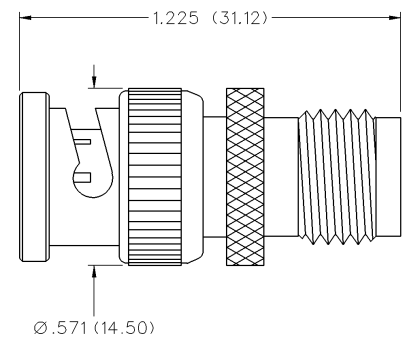
CP-AD806

BNC Jack to N Plug



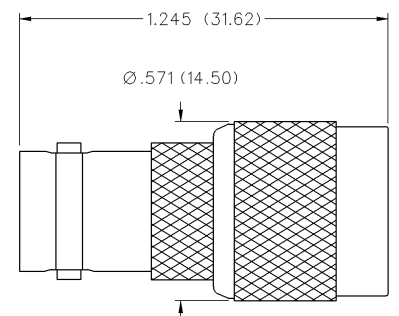
CP-AD809

BNC Plug to TNC Jack



CP-AD314

BNC Jack to TNC Plug



CP-AD300