

**STANDARD  
FITTINGS**  
BAYONET  
JOINT AND  
ACCESSORIES

**PLUS**

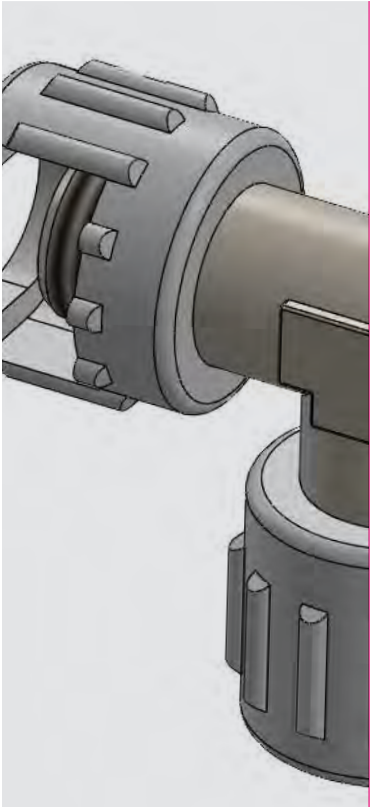
**COMPLETE RANGE**

---

**MECHANICAL RESISTANCE**

---

**STANDARD AND BAYONET  
CONNECTION**



Temperature depends on the tube used, so the value will be defined according to the features of the tube itself



Pressure depends on the tube used, so their values will be defined according to the features of the tube itself



Compressed air



Parallel gas BSPP ISO 228 from G1/8" to G1/2"



Products in compliance with the directive 2002/95/EC

**RoHS2**

Products in compliance with the directive 2011/65/EU

**1163**

Male connector BSPP thread with rubber hose connector

CODE	ØTUBE	T	GR.
1163G61014	6X10	G1/4"	33
1163G61214	6X12	G1/4"	30
1163G61314	6X13	G1/4"	34
1163G61414	6X14	G1/4"	34
1163G71614	7X16	G1/4"	38
1163G81214	8X12	G1/4"	35
1163G81314	8X13	G1/4"	36
1163G81514	8X15	G1/4"	39
1163G81714	8X17	G1/4"	41
1163G101514	10X15	G1/4"	45
1163G101714	10X17	G1/4"	48
1163G101914	10X19	G1/4"	48
1163G61038	6X10	G3/8"	39
1163G61238	6X12	G3/8"	36
1163G61338	6X13	G3/8"	40
1163G61438	6X14	G3/8"	40
1163G71638	7X16	G3/8"	44
1163G81238	8X12	G3/8"	41
1163G81338	8X13	G3/8"	42
1163G81538	8X15	G3/8"	45
1163G81738	8X17	G3/8"	47
1163G101538	10X15	G3/8"	51
1163G101738	10X17	G3/8"	54
1163G101938	10X19	G3/8"	54
1163G111638	11X16	G3/8"	57