

**Metalized Plastic Hoods**

**DPPK-M+D-Sub Solder Cup**

**TECHNICAL SPECIFICATIONS**

**D-Sub Hood:**

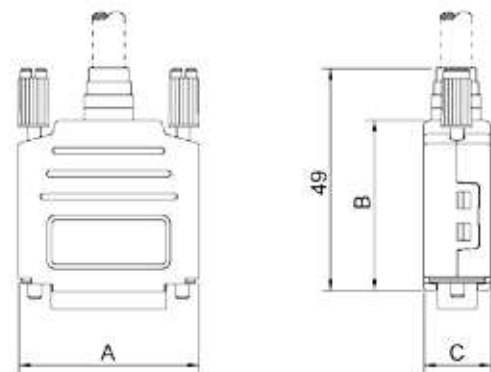
Material: UL Recognised Plastic Material  
 Plating: Nickel over Copper  
 Operating Temperature: -55°C to +105°C  
 Cable Entry: Top  
 Thumbscrews: UNC 4-40 (Standard)  
 Cable O.D: Up to 11,5mm

**Standard D-Sub Solder Cup:**

Insulator: Glass filled TP, UL94 V-0  
 Shell: Steel, Tin Plated  
 Contact pins: Copper Alloy  
 Gold Flash over Ni.  
 Stamped & Formed Pins: Class 3, 100 inserts min.  
 Contact Plating: Gold flash over Nickel  
 Operating Temperature: -55°C to +85°C  
 Withstanding voltage: >1000V Rms to 50 Hz  
 for 1 minute  
 Current Rating: 5A  
 Insulator resistance: >5000MΩ min.

**Features:**

- Available in sizes 9, 15, 25 and 37-way
- Quick-Snap locking system
- Re-openable



Size DPPK-M	Dim A	Dim B	Dim C
9-way	32,5	38,0	15,0
15-way	41,0	38,0	15,0
25-way	54,5	40,0	15,0
37-way	71,0	40,0	15,0

**Ordering information:**

*Standard D-Sub Connector Kits*

Size:	P/N - Kitted:	Description:
9-way	L17DPPK-M-09+L717SDE09P	Solder Cup, 9-Male
15-way	L17DPPK-M-15+L717SDA15P	Solder Cup, 15-Male
25-way	L17DPPK-M-25+L717SDB25P	Solder Cup, 25-Male
37-way	L17DPPK-M-37+L717SDC37P	Solder Cup, 37-Male

Size:	P/N - Kitted:	Description:
9-way	L17DPPK-M-09+L77SDE09S	Solder Cup, 9-Female
15-way	L17DPPK-M-15+L77SDA15S	Solder Cup, 15-Female
25-way	L17DPPK-M-25+L77SDB25S	Solder Cup, 25-Female
37-way	L17DPPK-M-37+L77SDC37S	Solder Cup, 37-Female