

Product information

92 23 05

Titanium Tweezers



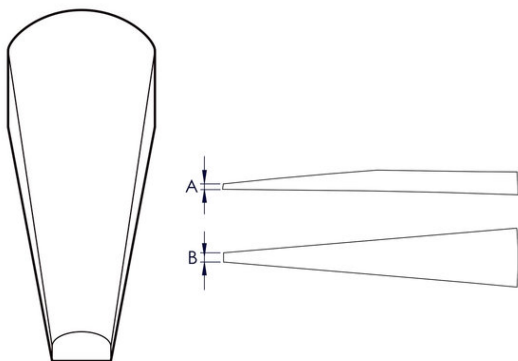
- Particularly suitable for precision tasks that require corrosion resistance, high strength and low weight
- The high-quality titanium alloy offers high temperature resistance and very good resistance to corrosion in air, sea and a variety of industrial environments at room temperature
- For cleaning or chemical processes, use at high temperatures and in biology, medicine or surgery
- 100 percent anti-magnetic
- Antibacterial
- Titanium

General

Article No.	92 23 05
Reference number	3.TA.0
EAN	4003773054726
Material	titanium
Gripping surfaces	smooth gripping surfaces
Weight	10 g
Dimensions	120 x 10 x 11 mm
REACH compliant	does not contain SVHC
RoHS compliant	not applicable

Technical details

Surface	matt finish
Finish	straight
Tips width (A)	0.3 mm
Tips width (B)	0.5 mm
Corrosion-resistant	yes
ESD-tested	no
VDE tested	no
Sectors	Industry electronics
Magnetic	non-magnetisable (100%)



technical change and errors excepted