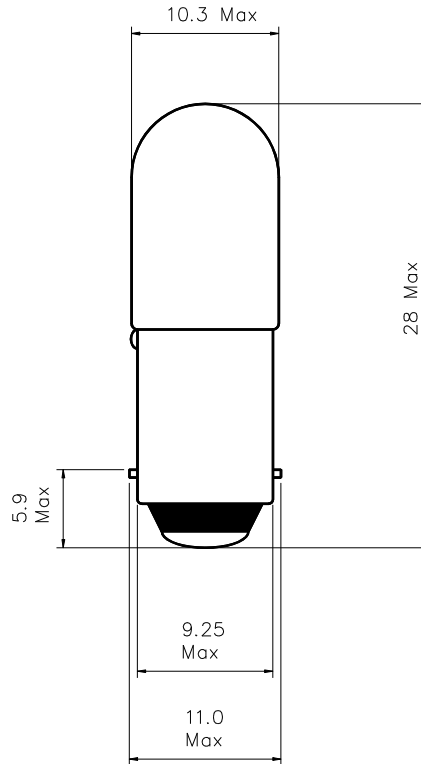


Part Number: **W643**

Type	Size	Rating	Description
Incandescent	T10	12V 2.2W	T-3¼ Miniature Bayonet Lamp



Dimensions in millimetres

TEST VOLTS	CURRENT (mA)			LIGHT OUTPUT (Lm)			LIFE Hours
	Min.	Nom.	Max.	Min.	Nom.	Max.	
12	177	196	216	12.8	16.0	19.2	3,000

Notes:

- |   |                            |  |
|---|----------------------------|--|
| 1 | <b>Base Type</b>           | BA9s/13 Nickel plated brass in accordance with BS EN 60061-1 |
| 2 | <b>Filament Shape</b>      | C-2V   |
| 3 | <b>Light centre Length</b> | 16mm nominal   |
| 4 | <b>Lamp Marking</b>        | CML 12V 2.2W   |
| 5 | <b>Bead colour</b>         | White or clear   |
| 6 | <b>Environmental</b>       | RoHS & REACH SVHC compliant                                  |