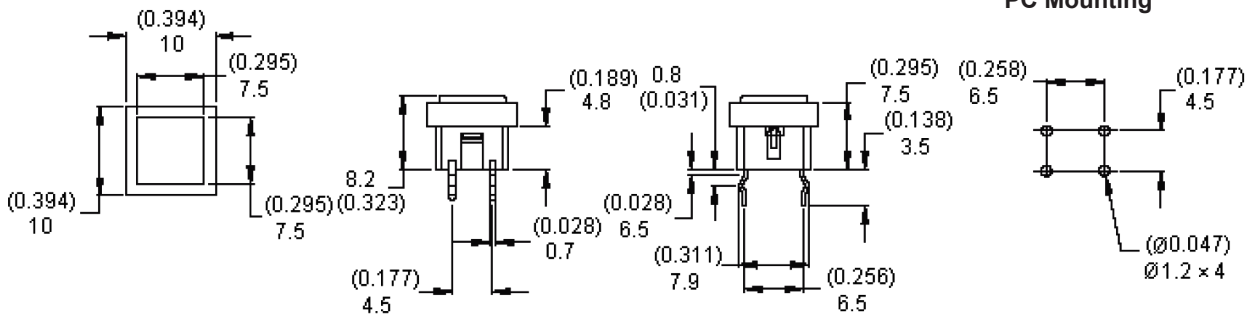




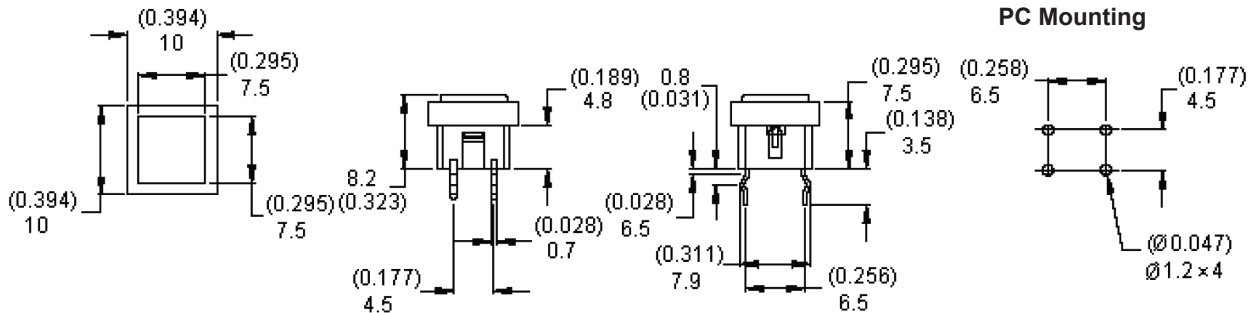
## Specifications

Circuit	: SPST
Current	: 50mA
Voltage Rating	: 12V DC
Dielectric Withstanding Voltage	: 250V AC for 1 minute
Max. Contact Resistance	: 100mΩ (initial)
Min. Insulation Resistance	: 100MΩ
Operating Force	: 160gf ±30
Total Travel	: 0.25 ±0.2 mm
Min. Operating Life	: 1,000,00 cycles
Solder Specifications	: 265°C for 5 seconds
Function	: Momentary
Operating Temperature	: +10°C to +160°C

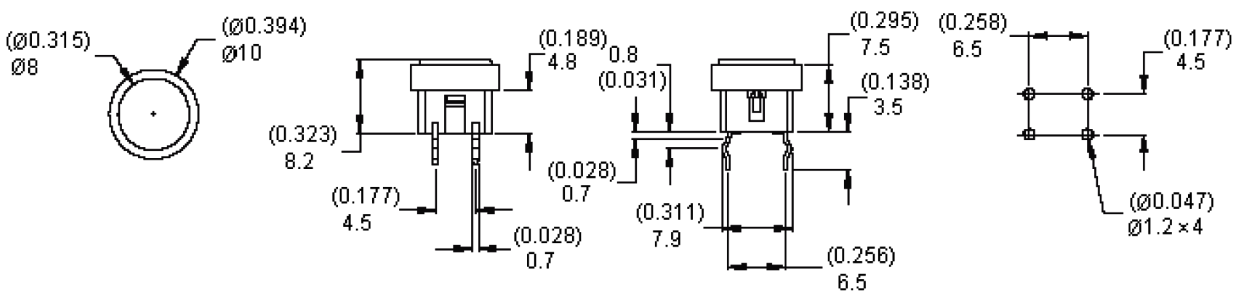
### TS0A



### TS3A

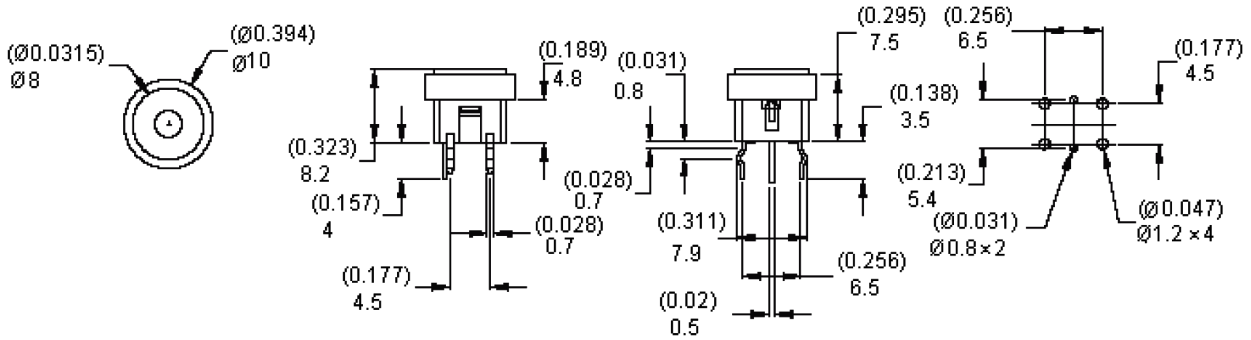


### TS0B

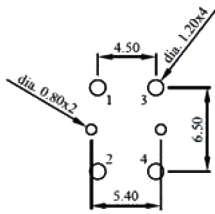


Dimensions : Millimetres (Inches)

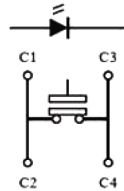
## TS3B



## PCB Mounting Holes & Circuit Diagram

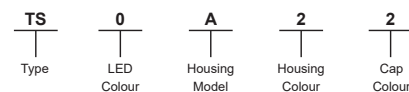


PCB Mounting Holes



Circuit Diagram

## Part Number Explanation



LED Colour : 0 = Without LED, 3 = Red and 6 = Green  
 Housing Model : A = □ and B = ○  
 Housing Colour : 2 = Black (std)  
 Cap Colour : 2 = Black, 3 = Red and 6 = Green

Dimensions : Millimetres (Inches)

## Part Number Table

Description	Part Number
Switch, Push Button, Square, SPST, Black	TS0A22
Switch, Push Button, Square, SPST, Red	TS0A23
Switch, Push Button, Square, SPST, Green	TS0A26
Switch, Push Button, Round, SPST, Black	TS0B22
Switch, Push Button, Round, SPST, Red	TS0B23
Switch, Push Button, Round, SPST, Green	TS0B26
Switch, P / Button, Square, SPST, Red	TS3A23
Switch, P / Button, Square, SPST, Green	TS6A26
Switch, P / Button, Round, SPST Red	TS3B23
Switch, P / Button, Round, SPST, Green	TS6B26

**Important Notice :** This data sheet and its contents (the "Information") belong to the members of the AVNET group of companies (the "Group") or are licensed to it. No licence is granted for the use of it other than for information purposes in connection with the products to which it relates. No licence of any intellectual property rights is granted. The Information is subject to change without notice and replaces all data sheets previously supplied. The Information supplied is believed to be accurate but the Group assumes no responsibility for its accuracy or completeness, any error in or omission from it or for any use made of it. Users of this data sheet should check for themselves the Information and the suitability of the products for their purpose and not make any assumptions based on information included or omitted. Liability for loss or damage resulting from any reliance on the Information or use of it (including liability resulting from negligence or where the Group was aware of the possibility of such loss or damage arising) is excluded. This will not operate to limit or restrict the Group's liability for death or personal injury resulting from its negligence. Multicomp Pro is the registered trademark of Premier Farnell Limited 2019.

Newark.com/multicomp-pro  
 Farnell.com/multicomp-pro  
 Element14.com/multicomp-pro