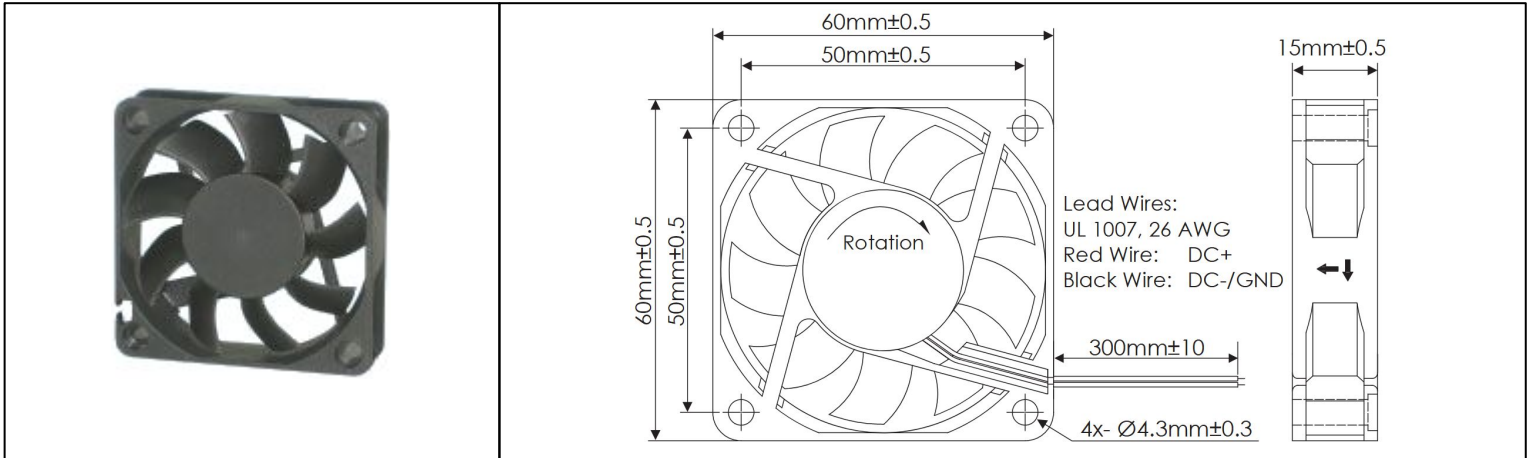


OD6015 Series



DC Fans - 5, 12, 24, 48V
60mm x 15mm (2.4" x 0.6")



Frame	PBT, UL94 V-0 Plastic	Operating Temperature -20°C ~ +65°C	
Impeller	PBT, UL94 V-0 Plastic		
Connection	2x Wire Leads, 26 AWG	Storage Temperature -20°C ~ +75°C	
Motor	Brushless DC, Auto Cutoff, Auto Restart, Polarity Protected, Electronically Protected	Life Expectancy 60,000 Hours (L10 at 40°C)	
Bearing System	Dual Ball Bearings	Available Options Tachometer Output Alarm Output PWM Speed Control Input IP Ratings	
Dielectric Strength	500VDC/min, < 1mA	Weight: 0.06 lbs	
Insulation Resistance	≥10MΩ @ 500 VDC		

Part Number	Rated Voltage (Volts DC)	Voltage Range (Volts DC)	Input Power (Watts)	Rated Current (Amps)	Rated Speed (RPM)	Max Airflow (CFM)	Noise Level (dBA)	Max Static Pressure ("H ₂ O)
OD6015-05HB	5	4.5 ~ 5.5	1.5	0.25	4250	20.2	32.4	0.19
OD6015-05MB	5	4.5 ~ 5.5	1.2	0.19	3990	17.1	30.6	0.15
OD6015-05LB	5	4.5 ~ 5.5	0.8	0.15	3500	14.3	27.2	0.13
OD6015-12HHB	12	8 ~ 13.8	2.3	0.18	4975	25.8	36.3	0.23
OD6015-12HB	12	8 ~ 13.8	2.2	0.18	4250	20.2	32.4	0.19
OD6015-12MB	12	8 ~ 13.8	1.9	0.15	3990	17.1	30.6	0.15
OD6015-12LB	12	8 ~ 13.8	1.2	0.10	3500	14.3	27.2	0.13
OD6015-24HHB	24	15 ~ 26	3.6	0.15	4975	25.8	36.3	0.23
OD6015-24HB	24	15 ~ 26	3.5	0.15	4250	20.2	32.4	0.19
OD6015-24MB	24	15 ~ 26	3.2	0.13	3990	17.1	30.6	0.15
OD6015-24LB	24	15 ~ 26	2.0	0.07	3500	14.3	27.2	0.13
OD6015-48HHB	48	28 ~ 52	3.5	0.07	4975	25.8	36.3	0.23
OD6015-48HB	48	28 ~ 52	3.4	0.07	4250	20.2	32.4	0.19