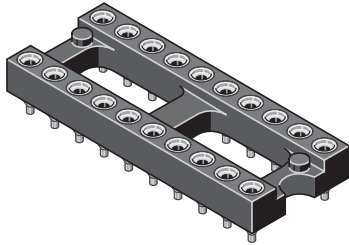


DIL SOCKETS „SMD”
ID: 015

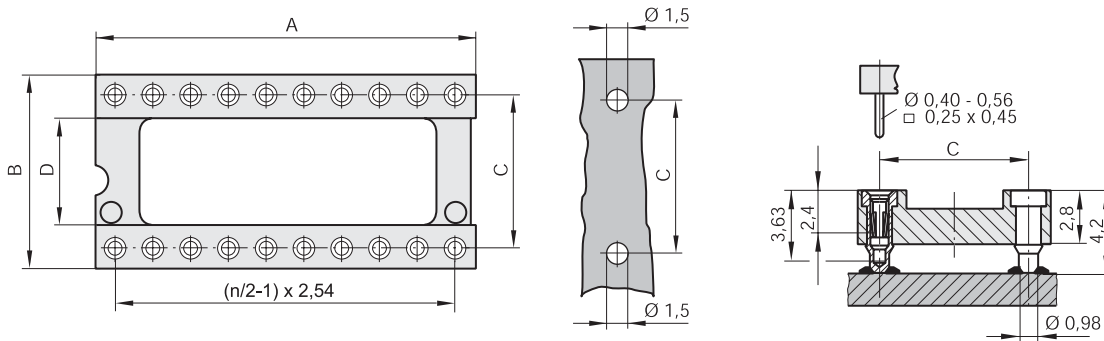
MP-SMD

Series 122



TECHNICAL DATA

Pitch	2,54 mm
Insulating Material	high temp. thermoplast UL94V-0
Contact Material	Brass/BeCu
Rated Current	1 Amp.
Rated Voltage	100 V _{RMS} /150 V _{DC}
Breakdown Voltage	min. 1000 V _{RMS}
Operating Temperature	-55°C bis +125°C
Maximum Soldering Temperature	260°C for 10 seconds



Code	Poles	A	B	C	D
10.2	10	12,60	7,60	5,08	-
04.3	4	5,00	10,10	7,62	4,40
06.3	6	7,60	10,10	7,62	4,40
08.3	8	10,10	10,10	7,62	4,40
10.3	10	12,60	10,10	7,62	4,40
14.3	14	17,70	10,10	7,62	4,40
16.3	16	20,30	10,10	7,62	4,40
18.3	18	22,80	10,10	7,62	4,40
20.3	20	25,30	10,10	7,62	4,40
22.3	22	27,80	10,10	7,62	4,40
24.3	24	30,40	10,10	7,62	4,40
28.3	28	35,50	10,10	7,62	4,40
22.4	22	27,80	12,60	10,16	6,50
24.4	24	30,40	12,60	10,16	6,50
24.6	24	30,40	17,70	15,24	10,60
28.6	28	35,50	17,70	15,24	10,60
32.6	32	40,60	17,70	15,24	10,60
36.6	36	45,70	17,70	15,24	10,60
40.6	40	50,60	17,70	15,24	10,60

All dimensions in mm.
Other dimensions upon request.

MP-SMD XX.Y XXX U

Code: see table

XXX: STG = sleeve: Sn / clip: Au
STG 8 = sleeve: Sn / clip: 0,75µm

U: RoHS-compliant with high temp. plastic