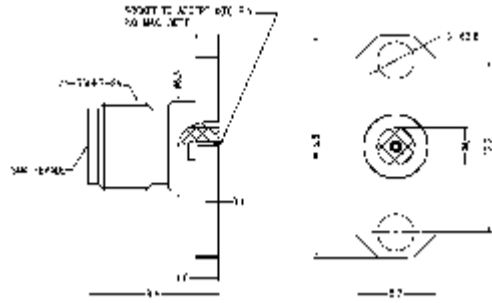


# RFSMAA2PCEB Datasheet

## Product Name // SMA Straight Plug 2 Hole Flange RF Connector

[View Product Page](#)

\* Representative product image only



### // Product Description:

- ⊗ SMA Straight Plug 2 Hole Flange RF Connector
- ⊗ Maximum Voltage: 335V
- ⊗ Temperature range: -65Å°C to +165Å°C
- ⊗ Frequency range: 0GHz - 26.5GHz
- ⊗ VSWR:
- ⊗ Dielectric withstanding Voltage: >750V
- ⊗ Impedance: 50Ohm
- ⊗ Body Material: Stainless Steel Passivation
- ⊗ Contact Material: Beryllium Copper

### // General Information:

|                                  |                                 |
|----------------------------------|---------------------------------|
| Product Display Title:           | SMA Series Socket 2 Hole Flange |
| Product Family:                  | Radio Frequency Connectors      |
| Product Series:                  | SMA Series                      |
| Body Length:                     | 12.80mm                         |
| Body Material:                   | Stainless Steel Passivation     |
| Centre Contact Retention Force:  | >26.7N                          |
| Contact Pin Material:            | Beryllium Copper                |
| Min Coupling Torque:             | 0.80Nm                          |
| Max Coupling Torque:             | 1.10Nm                          |
| Coupling Nut Retention Force:    | >27.2Kg                         |
| Dielectric Withstanding Voltage: | >750V                           |
| Durability:                      | >500 cycles                     |
| Flange Mount Length:             | 12.70mm                         |
| Function:                        | Male Flange Mount RF Connector  |
| Impedance:                       | 50Ohm                           |
| Insulation Resistance:           | >5000MOhm                       |
| Insulator:                       | Adapter ASTM D 1710             |
| Max Operating Temperature:       | +165°C                          |
| Min Operating Temperature:       | -65°C                           |
| Mount Hole Distance:             | 8.90mm                          |
| Min Operating Frequency:         | 0GHz                            |
| Max Operating Frequency:         | 26.5GHz                         |
| Socket Diameter:                 | 0.30mm                          |
| Socket Outer Diameter:           | 1.94mm                          |
| Voltage Max:                     | 335V                            |
| Vswr:                            | <1.30                           |

### // Product PDF Links

 [SMA Series Product Datasheet](#)