

## TECHNICAL SPECIFICATIONS

**D-Sub Hood:**

Material:	Zinc, Nickel Plated
Operating Temperature:	-40°C to +120°C
Cable Entry:	Top Entry Rubber Grommet RGS
Strain relief:	Clamp + Insert
Thumbscrews:	<b>Long Jackscrews</b> UNC 4-40 (Standard)
Cable O.D.:	Up to 11.5mm

**D-Sub Screw Connector:**

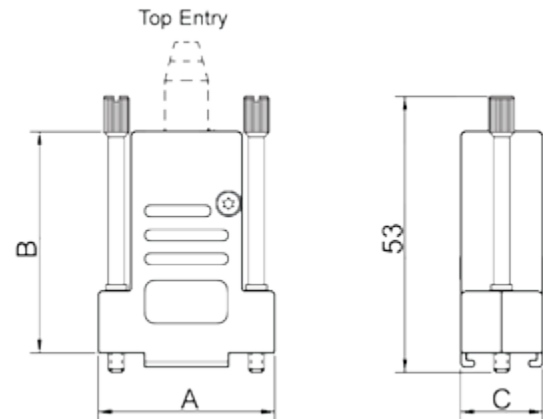
Insulator:	Glass filled TP, UL94 V-0
Shell:	Steel, Tin Plated
Contact pins:	Machined Brass pins 15µ" Gold plated over Ni.
AWG Wire Size:	AWG 18
Contact Plating:	Gold flash over Nickel
Operating Temperature:	-55°C to +85°C
Withstanding voltage:	>1000V Rms to 50 Hz for 1 minute
Current Rating:	7.5A
Insulator resistance:	>5000MΩ min.

**Features:**

- Available in Sizes 9-15-25
- Long Jackscrews
- 360° EMI Shielding
- Quick assembly
- Pre-mounted locking screws



...with Connectors from:  
**Amphenol**



Size DTSL	Dim A	Dim B	Dim C
9-way	32,2	42,0	15,0
15-way	40,8	42,3	15,0
25-way	54,0	42,3	15,0

**Ordering information:****Screw Connector D-Sub Connector Kits**

Size:	P/N - Kitted:	Product Code - MALE Conn. Kit
9-way	6355-5036-01	DTSL09-RG-LJS-T+L77SDE09PST
15-way	6355-5036-02	DTSL15-RG-LJS-T+L77SDA15PST
25-way	6355-5036-03	DTSL25-RG-LJS-T+L77SDB25PST

Size:	P/N - Kitted:	Product Code - FEMALE Conn. Kit
9-way	6355-5036-11	DTSL09-RG-LJS-T+L77SDE09SST
15-way	6355-5036-12	DTSL15-RG-LJS-T+L77SDA15SST
25-way	6355-5036-13	DTSL25-RG-LJS-T+L77SDB25SST



**Encitech AB**  
Rörkullsvägen 4  
SE-302 41 HALMSTAD, Sweden

Tel.: +46-(0)35-15 13 90  
Fax: +46-(0)35-15 13 99

[www.encitech.com](http://www.encitech.com)