



Online Data Sheet

Encoder WDG 58B

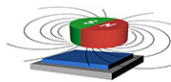
www.wachendorff-automation.com/wdgn58b

Wachendorff Automation

... systems and encoders

- Complete systems
- Industrial rugged encoders to suit your application
- Standard range and customer versions
- Maximum permissible loads
- 48-hour express production
- Made in Germany
- Worldwide distributor network

Encoder WDG 58B configurable via NFC



Wachendorff Apps WDG N

- Due to high quality electronics any number of pulses up to 16384 configurable via NFC
- HTL/TTL configurable via NFC
- Protection class IP67, at shaft input IP65
- High output frequency up to 1 MHz
- Reverse polarity protection and short-circuit protection at 4.75 VDC to 32 VDC

www.wachendorff-automation.com/wdgn58b

Configurable via NFC

Resolution	
Pulses per revolution PPR	1 PPR up to 16384 PPR
Mechanical Data	
Housing	
Flange	clamping flange
Flange material	aluminum
Housing cap	Stainless steel, NFC cover: Thermoplastic polyamide
Housing	Ø 58 mm
Shaft(s)	
Shaft material	stainless steel
Starting torque	approx. 1 Ncm at ambient temperature
Shaft	Ø 6 mm
Shaft length	L: 12 mm
Max. Permissible shaft loading radial	125 N
Max. Permissible shaft loading axial	120 N
Shaft	Ø 8 mm
Shaft length	L: 19 mm
Max. Permissible shaft loading radial	125 N
Max. Permissible shaft loading axial	120 N
Shaft	Ø 9.525 mm, Ø 3/8"
Shaft length	L: 20 mm, L: 0.787 in
Max. Permissible shaft loading radial	220 N, 22.434 kp
Max. Permissible shaft loading axial	120 N, 12.237 kp
Shaft	Ø 10 mm
Shaft length	L: 20 mm
Max. Permissible shaft loading radial	220 N
Max. Permissible shaft loading axial	120 N
Bearings	
Bearings type	2 precision ball bearings
Nominale service life	1 x 10 ⁹ revs. at 100 % rated shaft load 1 x 10 ¹⁰ revs. at 40 % rated shaft load 1 x 10 ¹¹ revs. at 20 % rated shaft load

Max. operating speed	8000 rpm
Machinery Directive: basic data safety integrity level	
MTTF _d	1200 a
Mission time (TM)	25 a
Nominale service life (L10h)	1 x 10 ¹¹ revs. at 20 % rated shaft load and 8000 rpm
Diagnostic coverage (DC)	0 %
Electrical Data	
Power supply/Current consumption	4,75 VDC up to 32 VDC: typ. 80 mA
Output circuit	HTL HTL, inv. TTL TTL, RS422 compatible, inv.
Pulse frequency	HTL up to 16384 ppr: max. 600 kHz TTL up to 16384 ppr: max. 1 MHz
Channels	ABN CH4 and inverted signals
Load	max. 40 mA / channel
Circuit protection	inverse-polarity and short-circuit protection
Nullimpuls setzen:	Setzen: SET = +UB für 2 s Deaktiviert: SET = GND
Accuracy	
Phase offset	90° ± max. 8.5 % of the period duration
pulse-/pause-ratio	50 % ± max. 7 %
Configurable via NFC:	
BASIC: (BAS)	
Channels:	ABN and inverted
HTL / TTL	freely selectable
Pulses / revolution:	1 ppr up to 16384 ppr freely selectable
Advanced (ADV):	
Channels:	ABN + CH4 and inverted
HTL / TTL:	freely selectable
Pulses / revolution:	1 ppr up to 16384 ppr freely selectable
Number of pulses for each channel:	individually selectable
Set zero pulse:	yes
Pulse width and position:	Width and position adjustable

Environmental data
Noise immunity:

ESD (DIN EN 61000-4-2):	8 kV
EMC: (DIN EN 61000-4-3):	10 V/m
Burst (DIN EN 61000-4-4):	2 kV
High frequency fields (DIN EN 61000-4-6):	10 V
Surge (DIN EN 61000-4-5):	2 kV

Radio interference: According DIN EN 55011

NFC:

EMC:	According ETSI EN 301 489
RED:	According ETSI EN 300 330

Electrical safety: According DIN EN 61010-1, UL 61010-1, CSA C22.0 No. 61010-1-12

Vibration: (DIN EN 60068-2-6)	300 m/s ² (10 Hz up to 2000 Hz)
Shock: (DIN EN 60068-2-27)	1000 m/s ² (6 ms)
Design:	According DIN VDE 0160

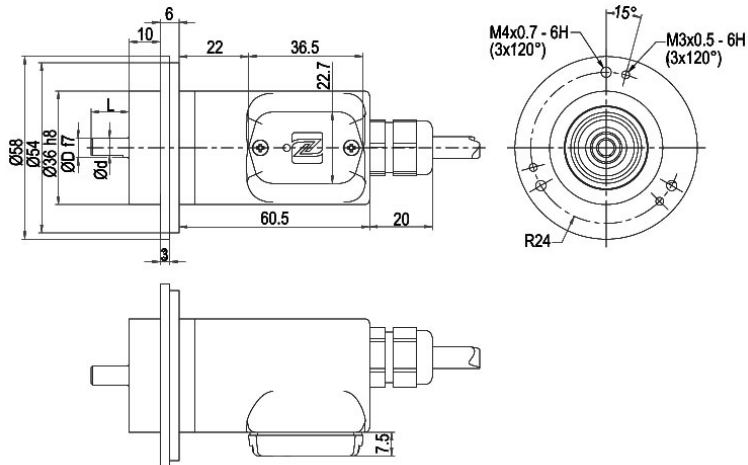
General Data

Weight	approx. 220 g
Connections	cable or connector outlet
Protection rating (EN 60529)	Housing: IP65, IP67; shaft sealed: IP65; (IP40 for K1)
Operating temperature	Connector: -40 °C up to +85 °C, cable: -20 °C up to +80 °C
Storage temperature	Connector: -40 °C up to +100 °C, cable: -30 °C up to +80 °C

More Information

General technical data and safety instructions
<http://www.wachendorff-automation.com/gtd>

Options
<http://www.wachendorff-automation.com/acc>

Cable connection L2 axial with 2 m cable


D = 6	L = 12	d = 5.3	Welle abgeflacht / shaft with flat
D = 8	L = 19	d = 7.5	Welle abgeflacht / shaft with flat
D = 9.525 [3/8"]	L = 20	d = 8.302 [0.327"]	Welle abgeflacht / shaft with flat
D = 10	L = 20	d = 10	Wellen nicht abgeflacht / shaft without flat

Option AAS:

D = 10	L = 20	d = 9	Welle abgeflacht / shaft with flat
--------	--------	-------	------------------------------------

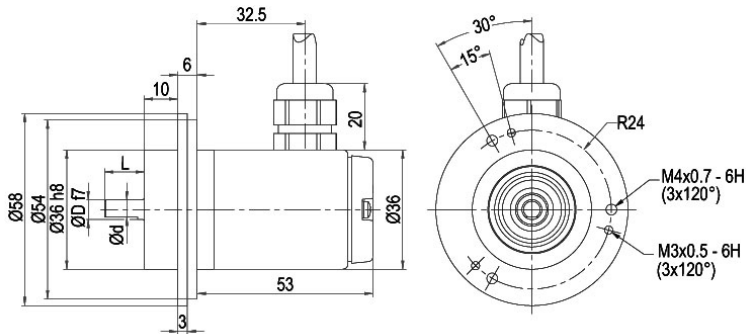
Description

ABN inv. poss.

L2 axial, shield connected to encoder housing

•

Assignments		
	L2	L2
Circuit	BAS	ADV
GND	WH	WH
(+) Vcc	BN	BN
A	GN	GN
B	YE	YE
N	GY	GY
CH4	-	GYPK
SET	-	PK
A inv.	RD	RD
B inv.	BK	BK
N inv.	VT	VT
CH4 inv.	-	RDBU
Shield	flex	flex

Cable connection L3 radial with 2 m cable


D = 6	L = 12	d = 5.3	Welle abgeflacht / shaft with flat
D = 8	L = 19	d = 7.5	Welle abgeflacht / shaft with flat
D = 9.525 [3/8"]	L = 20	d = 8.302 [0.327"]	Welle abgeflacht / shaft with flat
D = 10	L = 20	d = 10	Wellen nicht abgeflacht / shaft without flat

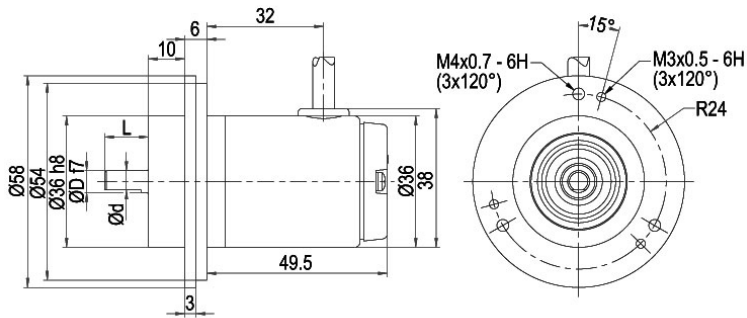
Option AAS:

D = 10	L = 20	d = 9	Welle abgeflacht / shaft with flat
--------	--------	-------	------------------------------------

Description
ABN inv. poss.
L3 radial, shield connected to encoder housing

•

Assignments		
	L3	L3
Circuit	BAS	ADV
GND	WH	WH
(+) Vcc	BN	BN
A	GN	GN
B	YE	YE
N	GY	GY
CH4	-	GYPK
SET	-	PK
A inv.	RD	RD
B inv.	BK	BK
N inv.	VT	VT
CH4 inv.	-	RDBU
Shield	flex	flex

Cable K1 (IP40) radial with 2 m cable


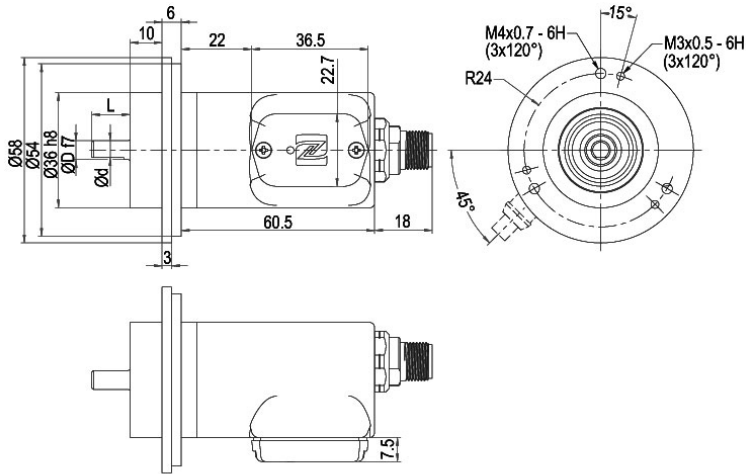
D = 6	L = 12	d = 5.3	Welle abgeflacht / shaft with flat
D = 8	L = 19	d = 7.5	Welle abgeflacht / shaft with flat
D = 9.525 [3/8"]	L = 20	d = 8.302 [0.327"]	Welle abgeflacht / shaft with flat
D = 10	L = 20	d = 10	Wellen nicht abgeflacht / shaft without flat

Option AAS:			
D = 10	L = 20	d = 9	Welle abgeflacht / shaft with flat

Description
ABN inv. poss.
K1 radial, shield not connected (IP40)

•

Assignments		
	K1	K1
Circuit	BAS	ADV
GND	WH	WH
(+) Vcc	BN	BN
A	GN	GN
B	YE	YE
N	GY	GY
CH4	-	GYPK
SET	-	PK
A inv.	RD	RD
B inv.	BK	BK
N inv.	VT	VT
CH4 inv.	-	RDBU
Shield	flex	flex

Sensor connector (M12x1) SB axial, 8-, 12-pin


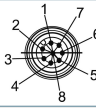
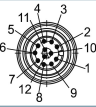
D = 6	L = 12	d = 5.3	Welle abgeflacht / shaft with flat
D = 8	L = 19	d = 7.5	Welle abgeflacht / shaft with flat
D = 9.525 [3/8"]	L = 20	d = 8.302 [0.327"]	Welle abgeflacht / shaft with flat
D = 10	L = 20	d = 10	Wellen nicht abgeflacht / shaft without flat

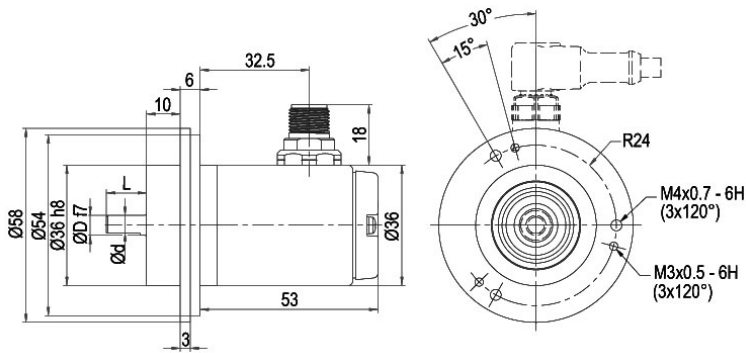
Option AAS:			
D = 10	L = 20	d = 9	Welle abgeflacht / shaft with flat

Description
ABN inv. poss.

SB8	axial, 8-pin, Connector connected to encoder housing	•
SB12	axial, 12-pin, Connector connected to encoder housing	•

Assignments

	SB8	SB12
	8-pin	12-pin
		
Circuit	BAS	ADV
GND	1	3
(+) Vcc	2	1
A	3	4
B	4	6
N	5	8
CH4	-	11
SET	-	5
A inv.	6	9
B inv.	7	7
N inv.	8	10
CH4 inv.	-	12
n. c.	-	2
Shield	-	-

Sensor-connector (M12x1) SC radial, 8-, 12-pin


D = 6	L = 12	d = 5.3	Welle abgeflacht / shaft with flat
D = 8	L = 19	d = 7.5	Welle abgeflacht / shaft with flat
D = 9.525 [3/8"]	L = 20	d = 8.302 [0.327"]	Welle abgeflacht / shaft with flat
D = 10	L = 20	d = 10	Wellen nicht abgeflacht / shaft without flat

Option AAS:			
D = 10	L = 20	d = 9	Welle abgeflacht / shaft with flat

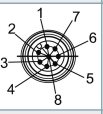
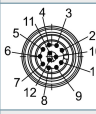
Description
ABN inv. poss.
SC8 radial, 8-pin, Connector connected to encoder housing

•

SC12 radial, 12-pin, Connector connected to encoder housing

•

Assignments

	SC8	SC12
	8-pin	12-pin
		
Circuit	BAS	ADV
GND	1	3
(+) Vcc	2	1
A	3	4
B	4	6
N	5	8
CH4	-	11
SET	-	5
A inv.	6	9
B inv.	7	7
N inv.	8	10
CH4 inv.	-	12
n. c.	-	2
Shield	-	-

Options

Shafts sealed to IP67, only with 10 mm shaft with flat

Order key

The encoder WDG 58B can be supplied in a IP67 version.
(full IP67 only connection CB, CC, L2 or L3 version; cable connection L1 IP40 only shaft sealed IP67).

AAS

Max. RPM: 3500 min⁻¹

Permitted Shaft-Loading: axial 100 N; radial 110 N

Starting-torque: approx. 4 Ncm at ambient temperature

Cable length

Order key

The encoder WDG 58B can be supplied with more than 2 m cable. The maximum cable length depends on the supply voltage and the frequency; see Downloads: „General technical Data“.

XXX = Decimeter

Please extend the standard order code with a three figure number, specifying the cable length in decimetres.

Example: 5 m cable = 050

Example Order No.	Type					Your encoder
WDGB 58B	WDGB 58B					WDGB 58B
	Shaft					
10	06; 08; 4Z= Ø 9.525 mm, Ø 3/8"; 10					
	Pulses per revolution PPR:					
X	configurable 1-16384 Other PPRs on request					
	Channels:					
X	ABN, ABN+CH4					
	Output circuit					
BAS	Resolution PPR	Power supply VDC	Output circuit	Light reserve warning	Order key	
	configurable 1-16384	4.75 - 32 4.75 - 32	configurable HTL, TTL (A,B,N + inv.) configurable HTL, TTL (A,B,N,CH4 + inv.)	- -	BAS ADV	
	Electrical connections					
L2	Description			ABN inv. poss.	Order key	
	Cable: length (2 m standard, WDG 58T: 1 m)					
	radial, shield not connected (IP40)			•	K1	
	axial, shield connected to encoder housing			•	L2	
	radial, shield connected to encoder housing			•	L3	
	Connector: (shield connected to encoder housing)					
	sensor-connector, M12x1, 8-pin, axial			•	SB8	
	sensor-connector, M12x1, 8-pin, radial			•	SC8	
	sensor-connector, M12x1, 12-pin, axial			•	SB12	
sensor-connector, M12x1, 12-pin, radial			•	SC12		
	Options					
	Description			Order key		
	Shafts sealed to IP67, only with 10 mm shaft with flat			AAS		
	Without option			Empty		
	Cable length			XXX = Decimeter		

Example Order No.=	WDGB 58B	10	X	X	BAS	L2		WDGB 58B						Your encoder
---------------------------	----------	----	---	---	-----	----	--	----------	--	--	--	--	--	---------------------



For further information please contact our local distributor.
Here you find a list of our distributors worldwide.
<https://www.wachendorff-automation.com/>



Wachendorff Automation GmbH & Co. KG
Industriestrasse 7 • 65366 Geisenheim
Germany

Phone: +49 67 22 / 99 65 25
Fax: +49 67 22 / 99 65 70
E-Mail: wdg@wachendorff.de
www.wachendorff-automation.de

