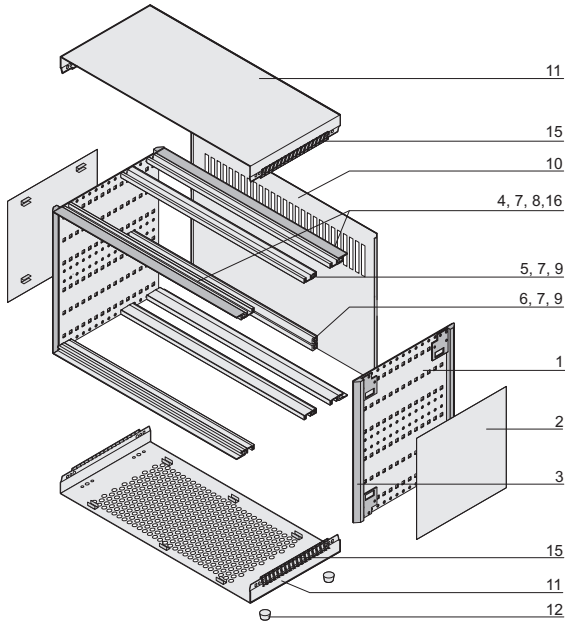


Desk-top cases - *ratiopac PRO*

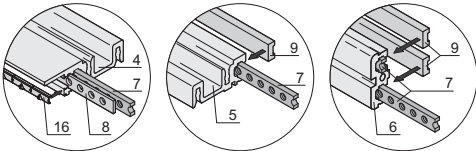
ratiopacPRO complete cases



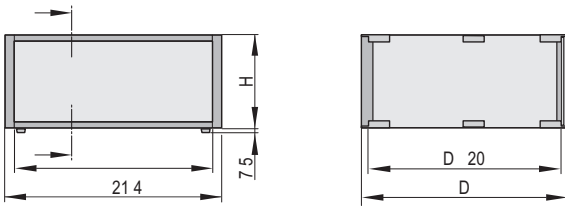
06812003



01802050

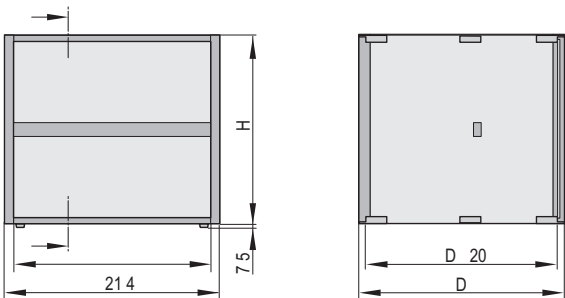


01808055



3 U

01808051



6 U

01808052

- Desk-top enclosure with pre-configured components, in accordance to IEC 60297-3-101; prepared for 19" components, e.g. plug-in units and euroboards
- Ventilation slit in base plate
- Rear panel perforated

Delivery comprises (in kit form)

| Item | Qty | | Description |
|------|-------------|----------|---|
| | without EMC | with EMC | |
| 1 | 2 | 2 | Side panel, Al, 2 mm, passivated |
| 2 | 2 | 2 | Side plate, Al, 1 mm, visible surfaces RAL 9006 |
| 3 | 4 | 4 | Cover strip, Al die-cast, RAL 7016, pre-fitted only on EMC version |
| 4 | 4 | 4 | Horizontal rail, type H-LD, Al, visible surfaces RAL 7016 |
| 5 | 2 | 2 | Horizontal rail, centre (top/bottom), type H-ST, Al |
| 6 | 1 | 1 | Horizontal rail, centre (on 6 U only), type ST, Al |
| 7 | 6/8 | 6/8 | 3 U/6 U: threaded inserts, St, pre-mounted, for indirect backplane mounting with insulation strips |
| 8 | - | 4 | Perforated strip, Al, 1 mm, pre-fitted |
| 9 | 4 | 4 | Insulation strip, PBT, UL 94 V-0 |
| 10 | 1 | 1 | Rear panel, perforated, Al, 2.5 mm |
| 11 | 2 | 2 | Top cover and base plate, Al, 1 mm, internal surfaces conductive, visible surfaces RAL 9006, with GND/earthing connection, base plate with honeycomb grid ventilation |
| 12 | 4 | 4 | Case foot with anti-slip protection, UL 94 V-0, PC black |
| 14 | - | 1 | EMC support profile for side panel, pre-mounted (kit) |
| 15 | - | 4 | EMC contact strip for cover plate, pre-mounted (kit) |
| 16 | - | 4 | EMC contact strip front panel - horizontal rails |
| 17 | 1 | 1 | GND/earthing kit, assembly kit |

Order Information

| U | Height H | Width W | Depth D | Shielding | |
|---|----------|---------|---------|---------------------|-----------------------|
| | | | | Unshielded Part no. | EMC shielded Part no. |
| 3 | 28 | 28 | 255.5 | 24572-001 | 24572-050 |
| 3 | 42 | 42 | 255.5 | 24572-002 | 24572-051 |
| 3 | 42 | 42 | 315.5 | 24572-003 | 24572-052 |
| 3 | 63 | 63 | 315.5 | 24572-004 | 24572-053 |
| 3 | 84 | 84 | 315.5 | 24572-005 | 24572-054 |
| 3 | 84 | 84 | 375.5 | 24572-006 | 24572-055 |
| 3 | 84 | 84 | 435.5 | 24572-007 | 24572-056 |
| 6 | 42 | 42 | 315.5 | 24572-015 | 24572-064 |
| 6 | 63 | 63 | 315.5 | 24572-016 | 24572-065 |
| 6 | 84 | 84 | 315.5 | 24572-017 | 24572-066 |
| 6 | 84 | 84 | 375.5 | 24572-018 | 24572-067 |
| 6 | 84 | 84 | 435.5 | 24572-019 | 24572-068 |

Note

- Dimension drawings and mounting depths see page 5.9
- Components see page 5.18
- Front handles and 19" mounting brackets from page 5.24
- Guide rails from page 5.40



ServicePLUS see page 5.4