

- 1
- 2
- 3
- 4
- 5
- 6
- 7
- 8
- 9
- 10
- 11
- 12
- 13
- 14
- 15
- 16
- 17
- 18

MATERIAL

Aluminium.

STANDARD EXECUTIONS

- **SQMF-B-MT**: natural aluminium, matte finish.
- **SQMF-B-SW**: aluminium, epoxy resin coating, RAL 9005 black colour, matte finish.
- **SQMF-B-SR**: aluminium, epoxy resin coating, RAL 9006 grey colour, matte finish.

CLOSING CAP

Glass-fibre reinforced polyamide based (PA) technopolymer, black colour, matte finish.

SCREWS AND WASHERS

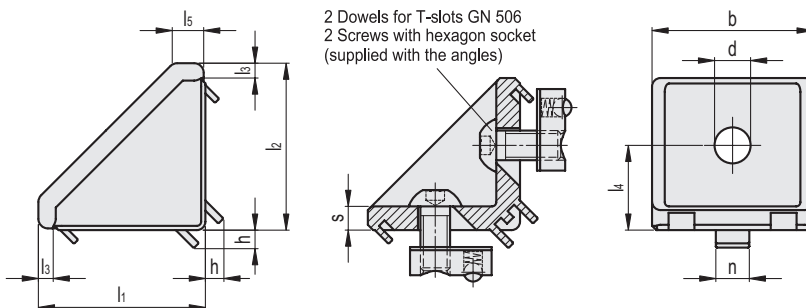
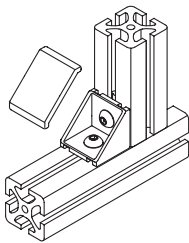
Zinc-plated steel.

FEATURES AND APPLICATIONS

SQMF fixing angles are particularly suitable for the assembly, in a very easy way, of structures made out of aluminium profiles (dimensions 30/40 mm) for safety protections of machines and equipment.

SPECIAL EXECUTIONS ON REQUEST

Angles without cover, screws and fixing inserts (SQMF-A).



Code	Description	h	l1	l2	l3	l4	l5	n	b	s	d	⚖️
156051	SQMF-30-6-30-30-B-MT	2.6	30	30	3	15	6.8	6	28	5.9	6.3	23
156053	SQMF-30-6-30-30-B-SW	2.6	30	30	3	15	6.8	6	28	5.9	6.3	23
156052	SQMF-30-6-30-30-B-SR	2.6	30	30	3	15	6.8	6	28	5.9	6.3	23
156061	SQMF-40-8-40-40-B-MT	4.1	40	40	4	20	7.2	8	38	5.6	8.5	39
156063	SQMF-40-8-40-40-B-SW	4.1	40	40	4	20	7.2	8	38	5.6	8.5	39
156062	SQMF-40-8-40-40-B-SR	4.1	40	40	4	20	7.2	8	38	5.6	8.5	39