

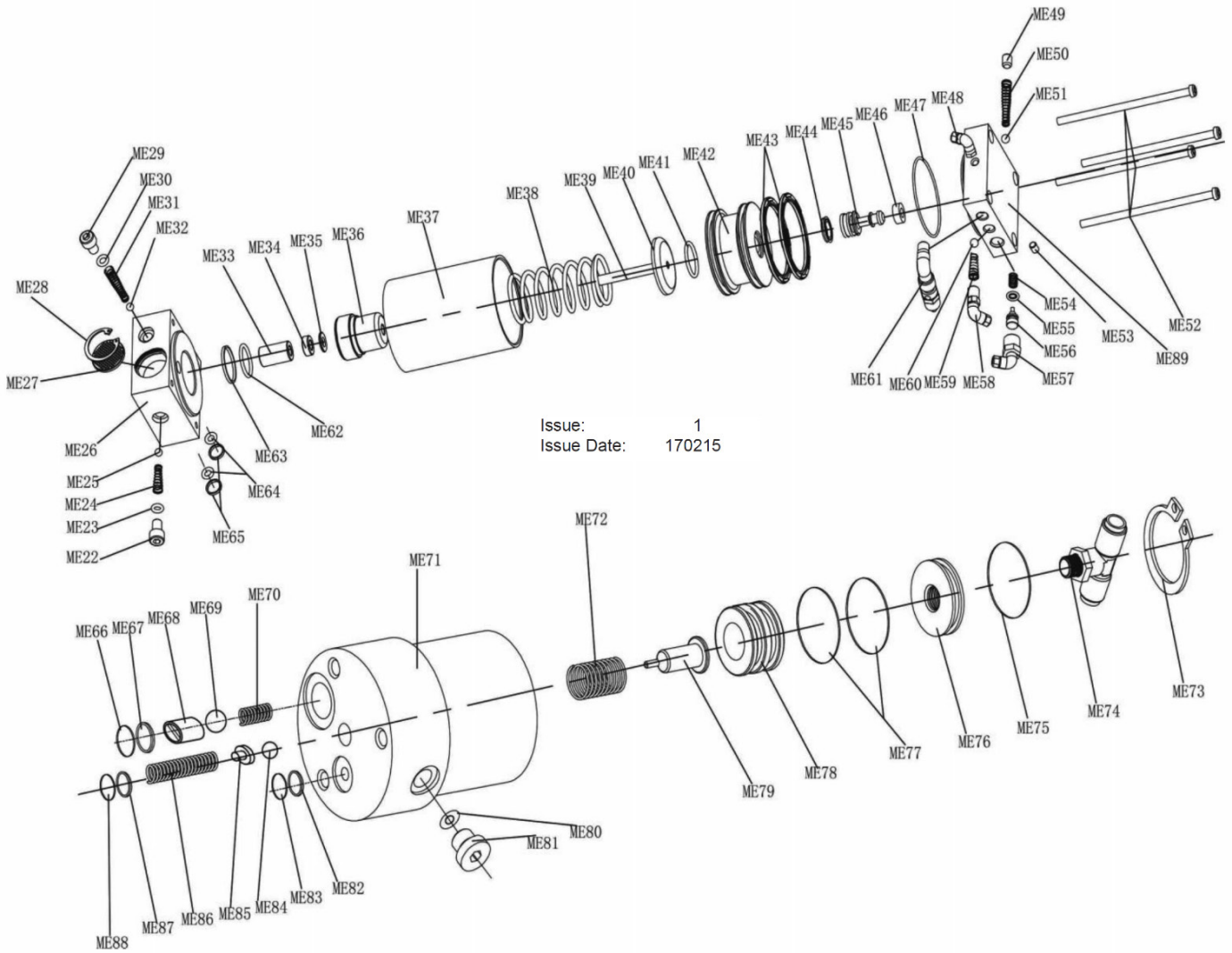
| Item | Part No.   | Description                |
|------|------------|----------------------------|
| S01  | YAJ201.S01 | TOP CAP                    |
| S02  | YAJ201.S02 | SCREW                      |
| S03  | YAJ201.S03 | SPACER                     |
| S04  | YAJ201.S04 | SCREW NUT                  |
| S05  | YAJ201.SRK | SEAL REPAIR KIT (FOR PUMP) |
| S06  | YAJ201.S06 | OIL TANK CAP               |
| S07  | YAJ201.SRK | SEAL REPAIR KIT (FOR PUMP) |
| S08  | YAJ201.S08 | ELBOW                      |
| S09  | YAJ201.S09 | OIL TANK                   |
| S10  | YAJ201.SRK | SEAL REPAIR KIT (FOR PUMP) |
| S11  | YAJ201.SRK | SEAL REPAIR KIT (FOR PUMP) |
| S12  | YAJ201.SRK | SEAL REPAIR KIT (FOR PUMP) |
| S13  | YAJ201.S13 | OUTER SLEEVE               |
| S14  | YAJ201.SRK | SEAL REPAIR KIT (FOR PUMP) |

| Item | Part No.   | Description                |
|------|------------|----------------------------|
| S15  | YAJ201.SRK | SEAL REPAIR KIT (FOR PUMP) |
| S16  | YAJ201.S16 | EXTENSION SCREW            |
| S17  | YAJ201.S17 | PISTON                     |
| S18  | YAJ201.SRK | SEAL REPAIR KIT (FOR PUMP) |
| S19  | YAJ201.SRK | SEAL REPAIR KIT (FOR PUMP) |
| S20  | YAJ201.SRK | SEAL REPAIR KIT (FOR PUMP) |
| S21  | YAJ201.S21 | SCREW                      |
| S22  | YAJ201.S22 | SPRING                     |
| S23  | YAJ201.S23 | BASE                       |
| S24  | YAJ201.S24 | SCREW NUT                  |
| S25  | SB-8.0     | STEEL BALL 8.0mm           |
| S26  | YAJ201.S26 | SCREW NUT                  |
| S27  | YAJ201.S27 | HANDLE                     |
| S28  | YAJ201.S28 | AIR HOSE                   |

**NOTE:** It is our policy to continually improve products and as such we reserve the right to alter data, specifications and component parts without prior notice.

**IMPORTANT:** No liability is accepted for incorrect use of product.

**WARRANTY:** Guarantee is 12 months from purchase date, proof of which will be required for any claim.



**NOTE:** It is our policy to continually improve products and as such we reserve the right to alter data, specifications and component parts without prior notice.

**IMPORTANT:** No liability is accepted for incorrect use of product.

**WARRANTY:** Guarantee is 12 months from purchase date, proof of which will be required for any claim.



Parts Information:  
**Air Operated Jack 20tonne - Single Stage**  
**Model No: YAJ201**

| Item | Part No.    | Description     |
|------|-------------|-----------------|
| ME22 | YAJ201.ME22 | SCREW NUT       |
| ME23 | YAJ201.ME23 | O-RING          |
| ME24 | YAJ201.ME24 | SPRING          |
| ME25 | YAJ201.ME25 | STEEL BALL      |
| ME26 | YAJ201.ME26 | CHECK VALVE     |
| ME27 | YAJ201.ME27 | SILENCER PIECE  |
| ME28 | YAJ201.ME28 | CLAMP           |
| ME29 | YAJ201.ME22 | SCREW NUT       |
| ME30 | YAJ201.ME23 | O-RING          |
| ME31 | YAJ201.ME31 | SPRING          |
| ME32 | SB-6.0      | STEEL BALL      |
| ME33 | YAJ201.ME33 | GUIDE BUSHING   |
| ME34 | YAJ201.ME34 | SPACER          |
| ME35 | YAJ201.ME35 | SEAL            |
| ME36 | YAJ201.ME36 | PLUNGER BUSHING |
| ME37 | YAJ201.ME37 | AIR CYLINDER    |
| ME38 | YAJ201.ME38 | SPRING          |
| ME39 | YAJ201.ME39 | PLUNGER ROD     |
| ME40 | YAJ201.ME40 | PLUNGER COVER   |
| ME41 | YAJ201.ME41 | O-RING          |
| ME42 | YAJ201.ME42 | PISTON          |
| ME43 | YAJ201.ME43 | SEAL (PK)       |
| ME44 | YAJ201.ME44 | SEAL (OE)       |
| ME45 | YAJ201.ME45 | PISTON          |
| ME46 | YAJ201.ME46 | RUBBER CAP      |
| ME47 | YAJ201.ME47 | O-RING          |
| ME48 | YAJ201.ME48 | ELBOW           |
| ME49 | YAJ201.ME49 | SCREW NUT       |
| ME50 | YAJ201.ME50 | SPRING          |
| ME51 | YAJ201.ME60 | RUBBER BALL     |
| ME52 | YAJ201.ME52 | SCREW           |
| ME53 | YAJ201.ME53 | SCREW NUT       |
| ME54 | YAJ201.ME54 | SPRING          |
| ME55 | YAJ201.ME55 | O-RING          |
| ME56 | YAJ201.ME56 | PISTON          |

| Item | Part No.    | Description      |
|------|-------------|------------------|
| ME57 | YAJ201.ME57 | T-CONNECTOR      |
| ME58 | YAJ201.ME58 | ELBOW            |
| ME59 | YAJ201.ME59 | SPRING           |
| ME60 | YAJ201.ME60 | RUBBER BALL      |
| ME61 | YAJ201.ME61 | ELBOW            |
| ME62 | YAJ201.ME62 | O-RING           |
| ME63 | YAJ201.ME63 | LOCKING RING     |
| ME64 | YAJ201.ME64 | O-RING           |
| ME65 | YAJ201.ME65 | LOCKING RING     |
| ME66 | YAJ201.ME66 | O-RING           |
| ME67 | YAJ201.ME67 | LOCKING RING     |
| ME68 | YAJ201.ME68 | STEEL BALL SEAT  |
| ME69 | SB-8.0      | STEEL BALL 8.0mm |
| ME70 | YAJ201.ME70 | SPRING           |
| ME71 | YAJ201.ME71 | OIL DRAIN VALVE  |
| ME72 | YAJ201.ME72 | SPRING           |
| ME73 | YAJ201.ME73 | CLAMP            |
| ME74 | YAJ201.ME74 | T-CONNECTOR      |
| ME75 | YAJ201.ME75 | O-RING           |
| ME76 | YAJ201.ME76 | END COVER        |
| ME77 | YAJ201.ME77 | O-RING           |
| ME78 | YAJ201.ME78 | OIL DRAIN PISTON |
| ME79 | YAJ201.ME79 | OIL DRAIN BOLT   |
| ME80 | YAJ201.ME23 | O-RING           |
| ME81 | YAJ201.ME22 | SCREW NUT        |
| ME82 | YAJ201.ME82 | LOCKING RING     |
| ME83 | YAJ201.ME83 | O-RING           |
| ME84 | YAJ201.ME84 | STEEL BALL 6.0mm |
| ME84 | SB-6.0      | SCREW NUT        |
| ME85 | YAJ201.ME85 | SPRING           |
| ME86 | YAJ201.ME86 | LOCKING RING     |
| ME87 | YAJ201.ME87 | O-RING           |
| ME88 | YAJ201.ME88 | AIR INLET BASE   |
| ME89 | YAJ201.ME89 | AIR INLET BASE   |

**NOTE:** It is our policy to continually improve products and as such we reserve the right to alter data, specifications and component parts without prior notice.

**IMPORTANT:** No liability is accepted for incorrect use of product.

**WARRANTY:** Guarantee is 12 months from purchase date, proof of which will be required for any claim.

**Sealey Group**, Kempson Way, Suffolk Business Park, Bury St Edmunds, Suffolk. IP32 7AR



01284 757500



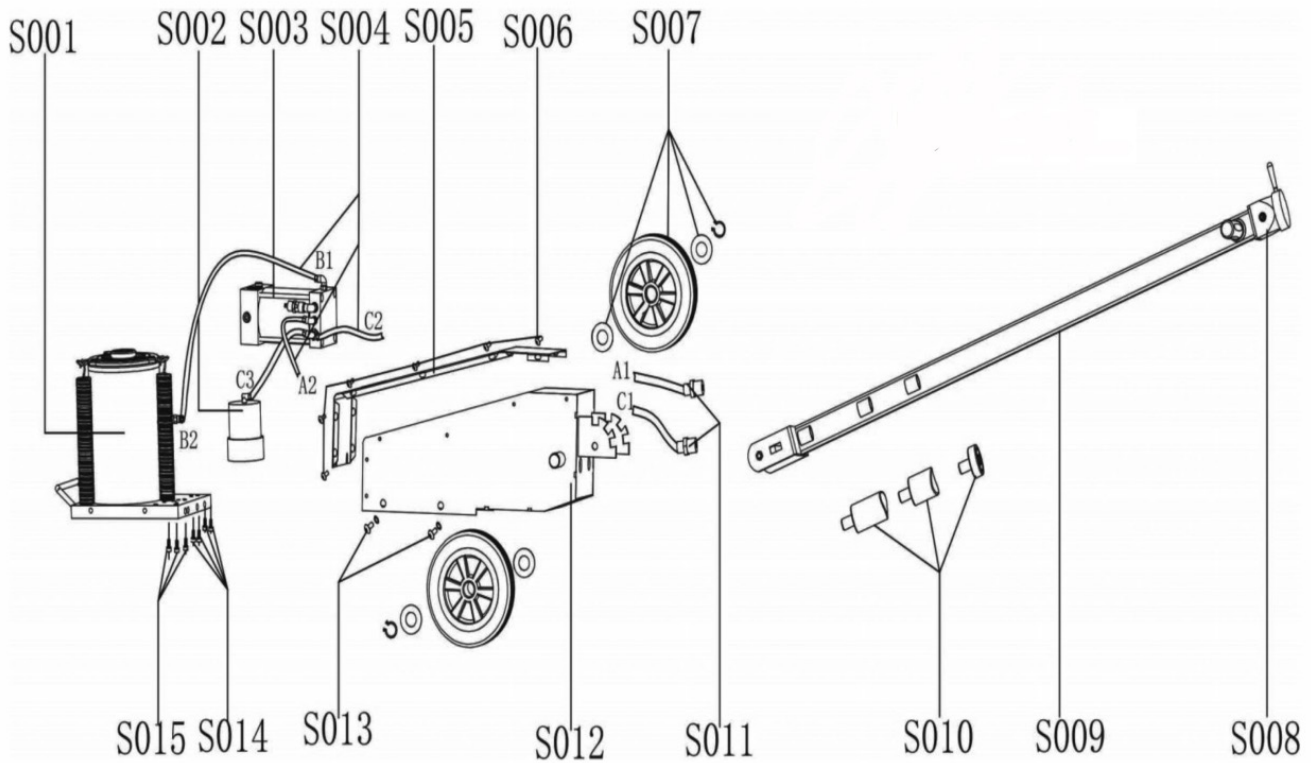
01284 703534



sales@sealey.co.uk



www.sealey.co.uk



| Item | Part No.    | Description                         |
|------|-------------|-------------------------------------|
| S001 | YAJ201.S001 | OIL CYLINDER ASS'Y                  |
| S002 | YAJ201.S002 | OIL DRAIN VALVE ASS'Y               |
| S003 | YAJ201.S003 | PUMP ASS'Y                          |
| S004 | YAJ201.S004 | AIR HOSE                            |
| S005 | YAJ201.S005 | TANK COVER                          |
| S006 | BHSS55.SB   | BUTTON HEAD SOCKET SCREW M5x5 BLACK |
| S007 | YAJ201.S007 | WHEEL, FIXED (160x20x45)            |
| S008 | YAJ201.S008 | SWITCH ASS'Y                        |

| Item | Part No.    | Description                            |
|------|-------------|--|
| S009 | YAJ201.S009 | HANDLE ASS'Y                           |
| S010 | YAJ201.S010 | EXTENSION (20/50/100mm)                |
| S011 | YAJ201.S011 | CONNECTOR                              |
| S012 | YAJ201.S012 | TANK                                   |
| S013 | BHSS816.SB  | BUTTON HEAD SOCKET SCREW M8x16 BLACK   |
| S014 | YAJ201.S014 | SCREW                                  |
| S015 | YAJ201.S015 | SCREW                                  |
| --   | YAJ201.SRK  | SEAL REPAIR KIT (FOR PUMP) (NOT SHOWN) |

**NOTE:** It is our policy to continually improve products and as such we reserve the right to alter data, specifications and component parts without prior notice.

**IMPORTANT:** No liability is accepted for incorrect use of product.

**WARRANTY:** Guarantee is 12 months from purchase date, proof of which will be required for any claim.