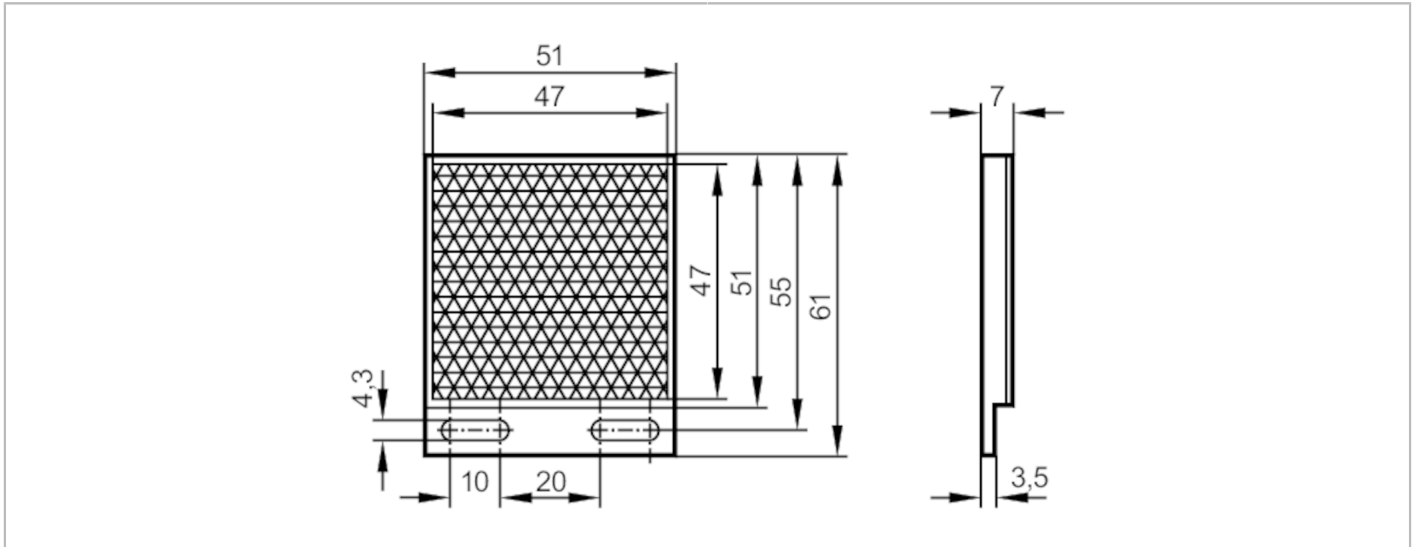


# E20722



## Reflector for retro-reflective laser sensors

REFLECTOR LASER TS-48X48



### Application

Design rectangular, for retro-reflective laser sensors and glass and film detection

### Operating conditions

Ambient temperature [°C] -10...60

### Mechanical data

Weight [g] 13.9

Dimensions [mm] 61 x 51 x 7

Materials plastics

### Remarks

Pack quantity 1 pcs.